

USER MANUAL

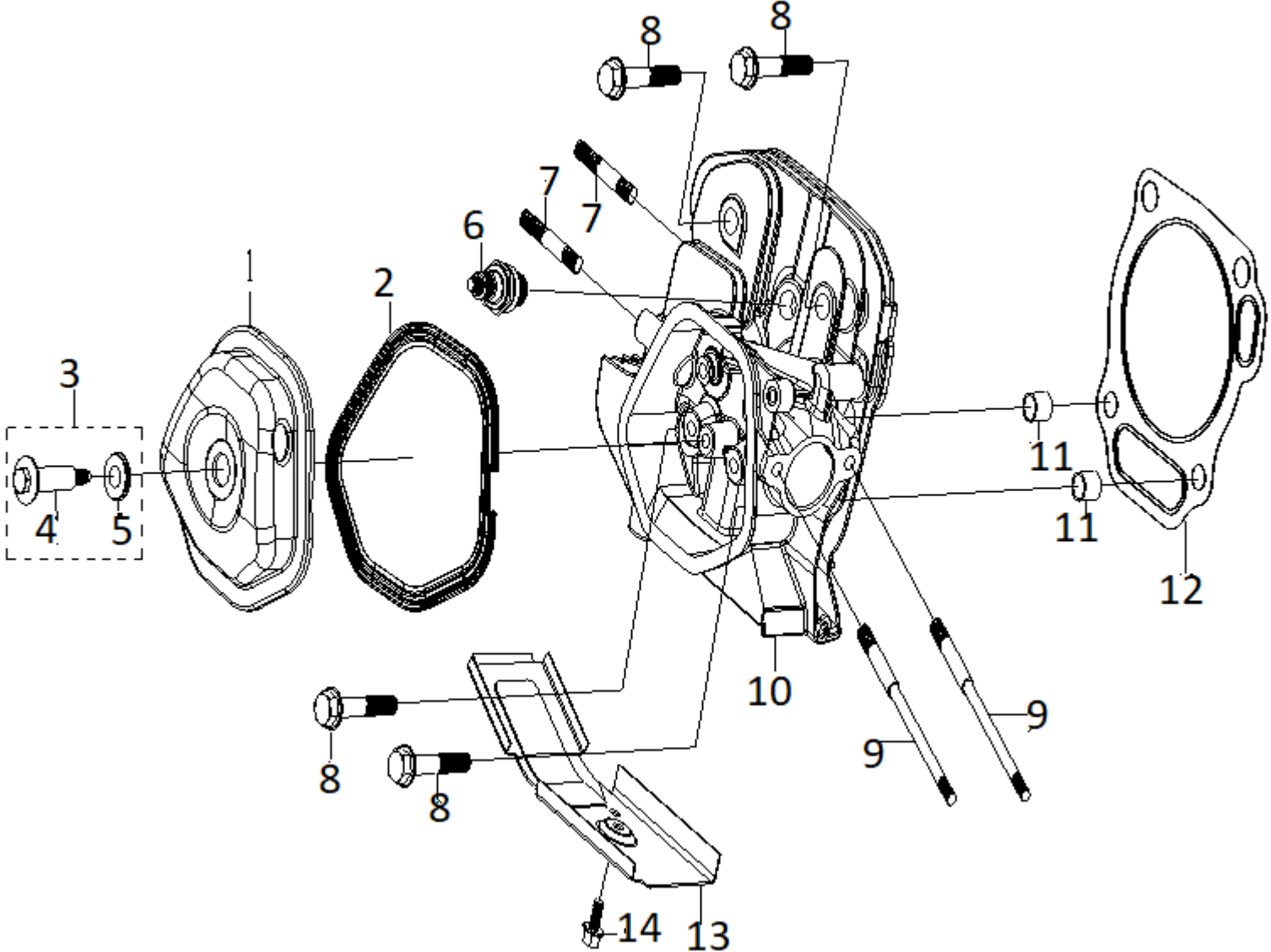

AGRIMATE[®]
Maximum Power - Super Economy

INTERCULTIVATOR/POWER WEEDER AM-6600-9P GASOLINE ENGINE



SPARE PARTS DIAGRAM & PARTLIST-AM-MPTC-6600-ENGINE

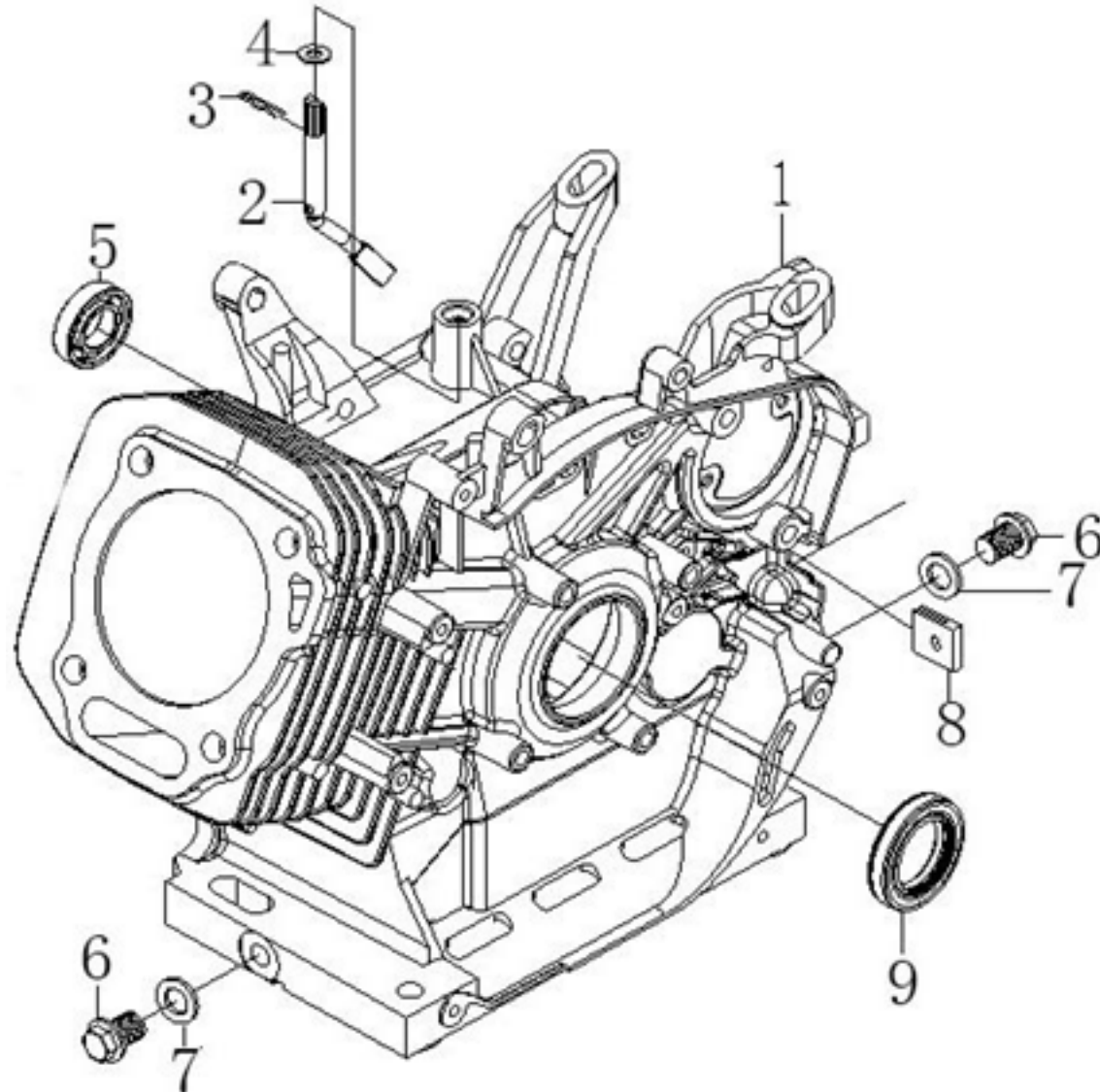
HEAD ASSAMBLEY - A



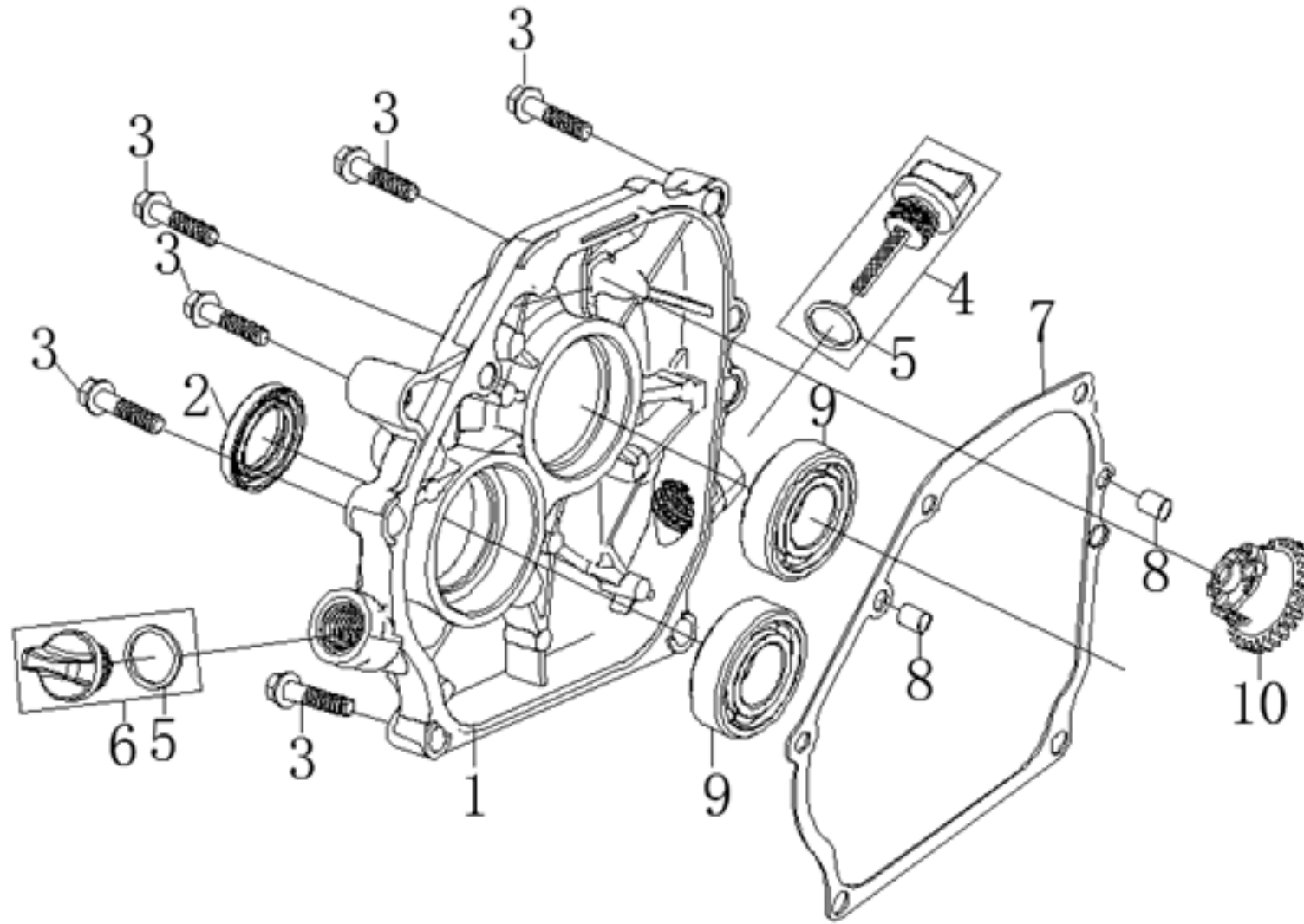
SPARE PARTS DIAGRAM & PARTLIST-AM-MPTC-6600-ENGINE

SL NO	PART NO	DESCRIPTION	SL NO	PART NO	DESCRIPTION
1	AM-177FP-A01	HEAD COVER			
2	AM-177FP-A02	GASKET HEAD COVER			
3	AM-177FP-A03	BOLT COMP			
4	AM-177FP-A04	BOLT COMP			
5	AM-177FP-A05	WASHER,BOLT			
6	AM-177FP-A06	PLUG SPARK			
7	AM-177FP-A07	BOLT STUD			
8	AM-177FP-A08	BOLT			
9	AM-177FP-A09	BOLT STUD			
10	AM-177FP-A10	CYLINDER HEAD ASSY			
11	AM-177FP-A11	PIN, DOWEL			
12	AM-177FP-A12	GASKET CYLINDER HEAD			
13	AM-177FP-A13	WINDSHIELD			
14	AM-177FP-A14	BOLT			

CRANKCASE ASSAMBLY - B



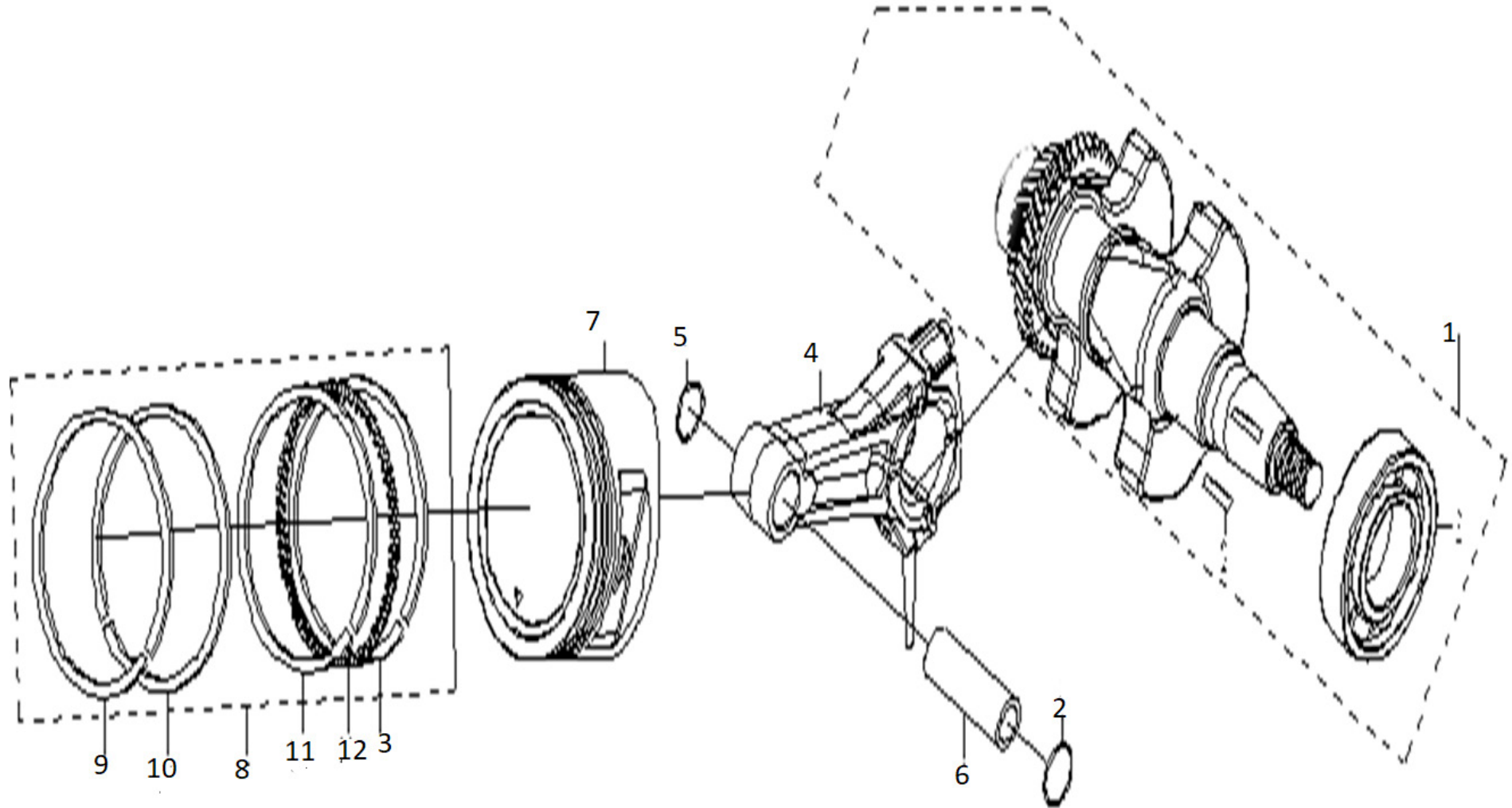
CRANK CASE COVER ASSAMBLEY - C



SPARE PARTS DIAGRAM & PARTLIST-AM-MPTC-6600-ENGINE

SL NO	PART NO	DESCRIPTION	SL NO	PART NO	DESCRIPTION
1	AM-177FP-C01	COVER, CRANKCASE			
2	AM-177FP-C02	OIL SEAL			
3	AM-177FP-C03	Hex Flange Bolt			
4	AM-177FP-C04	DIPSTICK ASSY			
5	AM-177FP-C05	DIPSTICK SEALING RING			
6	AM-177FP-C06	OIL FILLER PLUG ASSY			
7	AM-177FP-C07	GASKET CASE COVER			
8	AM-177FP-C08	PIN DOWEL			
9	AM-177FP-C09	BEARING			
10	AM-177FP-C10	GOVERNOR KIT COMP			

CRANK-CONNECTING ROD ASSY- D

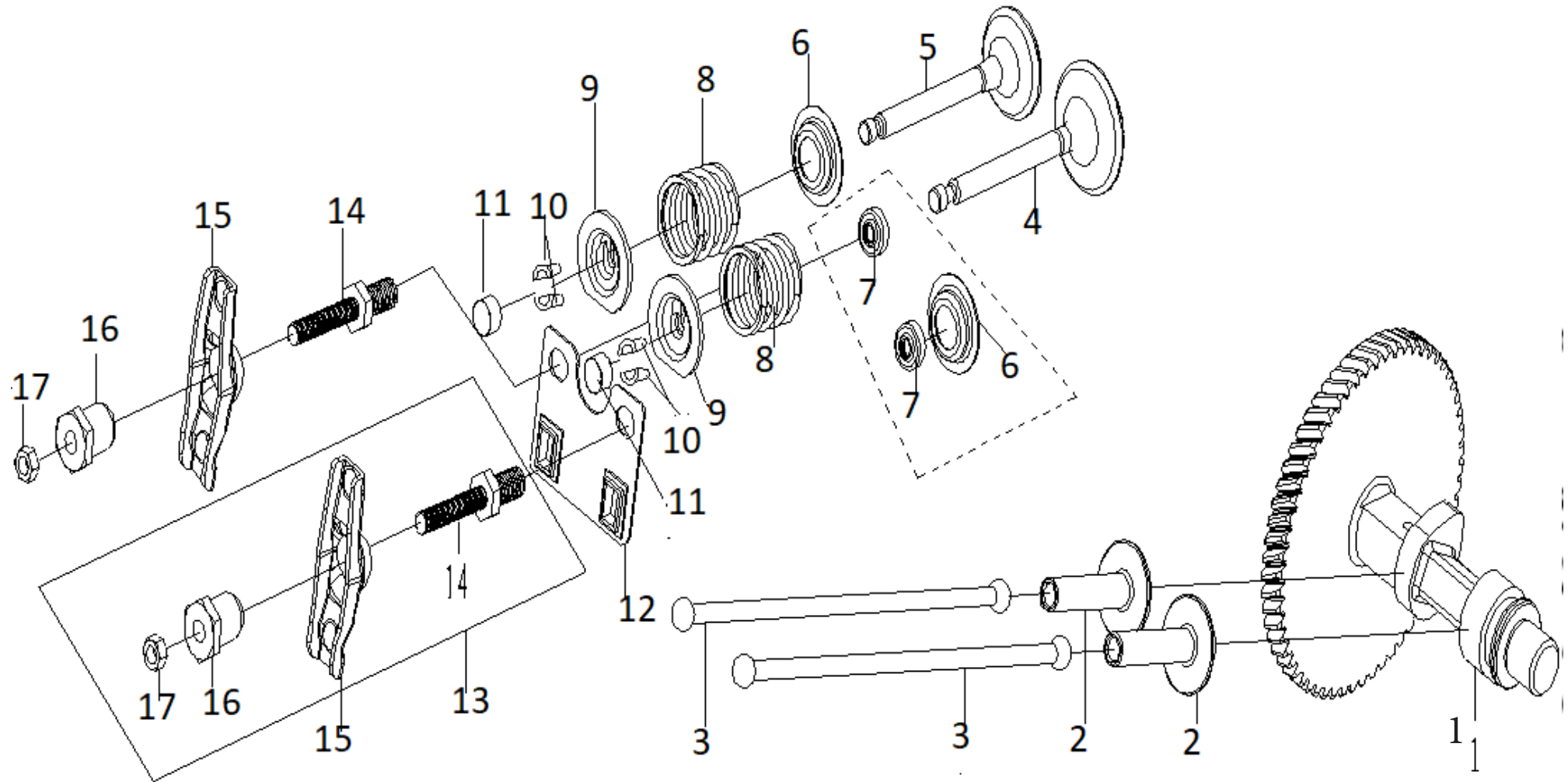


SPARE PARTS DIAGRAM & PARTLIST-AM-MPTC-6600-ENGINE

SL NO	PART NO	DESCRIPTION	SL NO	PART NO	DESCRIPTION
1	AM-177FP-D01	CRANK SHAFT ASSY			
2	AM-177FP-D02	SPECIAL WOODRUFF KEY			
3	AM-177FP-D03	BEARING			
4	AM-177FP-D04	CONNECTING ROD ASSY			
5	AM-177FP-D05	CLIP-PISTON PIN			
6	AM-177FP-D06	PIN-PISTON			
7	AM-177FP-D07	PISTON			
8	AM-177FP-D08	PISTON RING ASSY			
9	AM-177FP-D09	GAS RING ONE			
10	AM-177FP-D10	GAS RING TWO			
11	AM-177FP-D11	FILM LOOP			
12	AM-177FP-D12	BUSH RING			

SPARE PARTS DIAGRAM & PARTLIST-AM-MPTC-6600-ENGINE

VALVE TRAIN ASSY - E

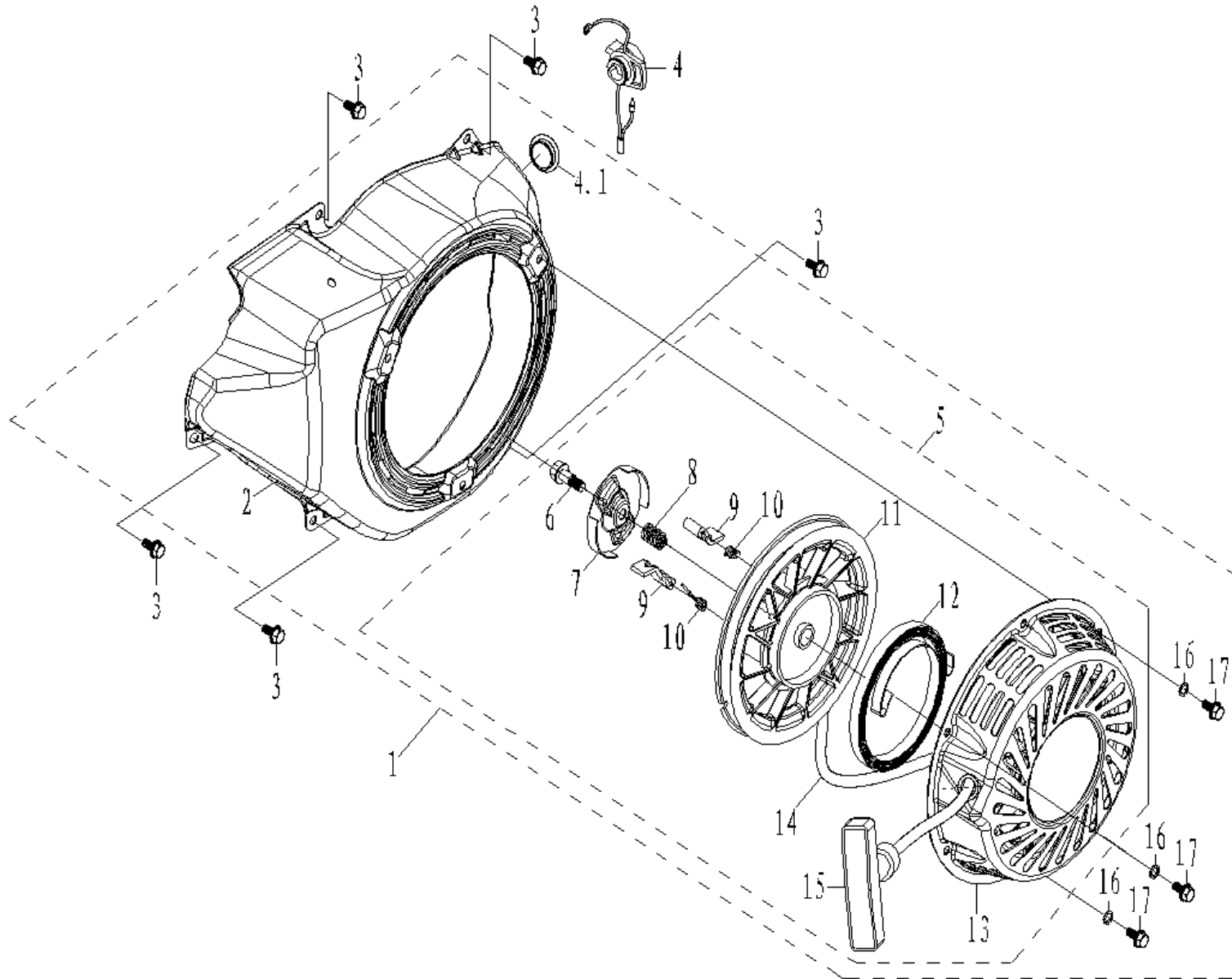


SPARE PARTS DIAGRAM & PARTLIST-AM-MPTC-6600-ENGINE

SL NO	PART NO	DESCRIPTION	SL NO	PART NO	DESCRIPTION
1	AM-177FP-E01	CAMSHAFT ASSY	17	AM-177FP-E17	NUTPIVOT LOCKING
2	AM-177FP-E02	LIFTER VALVE			
3	AM-177FP-E03	ROD PUSH			
4	AM-177FP-E04	VALVE INLET			
5	AM-177FP-E05	VALVE EXHAUST			
6	AM-177FP-E06	VALVE SPRING SEAT			
7	AM-177FP-E07	VALVE SEAL			
8	AM-177FP-E08	SPRING VALVE			
9	AM-177FP-E09	OUTTAKE VALVE SPRING SEAT			
10	AM-177FP-E10	NA			
11	AM-177FP-E11	ADJUSTER EX. VALVE			
12	AM-177FP-E12	PLATE PUSH ROD GUIDE			
13	AM-177FP-E13	ARM ASSY VALVE ROCKER			
14	AM-177FP-E14	BOLT PIVOT			
15	AM-177FP-E15	ARM VALVE ROCKER			
16	AM-177FP-E16	ADJUSTING NUT VALVE			

SPARE PARTS DIAGRAM & PARTLIST-AM-MPTC-6600-ENGINE

STAR ASSY - F

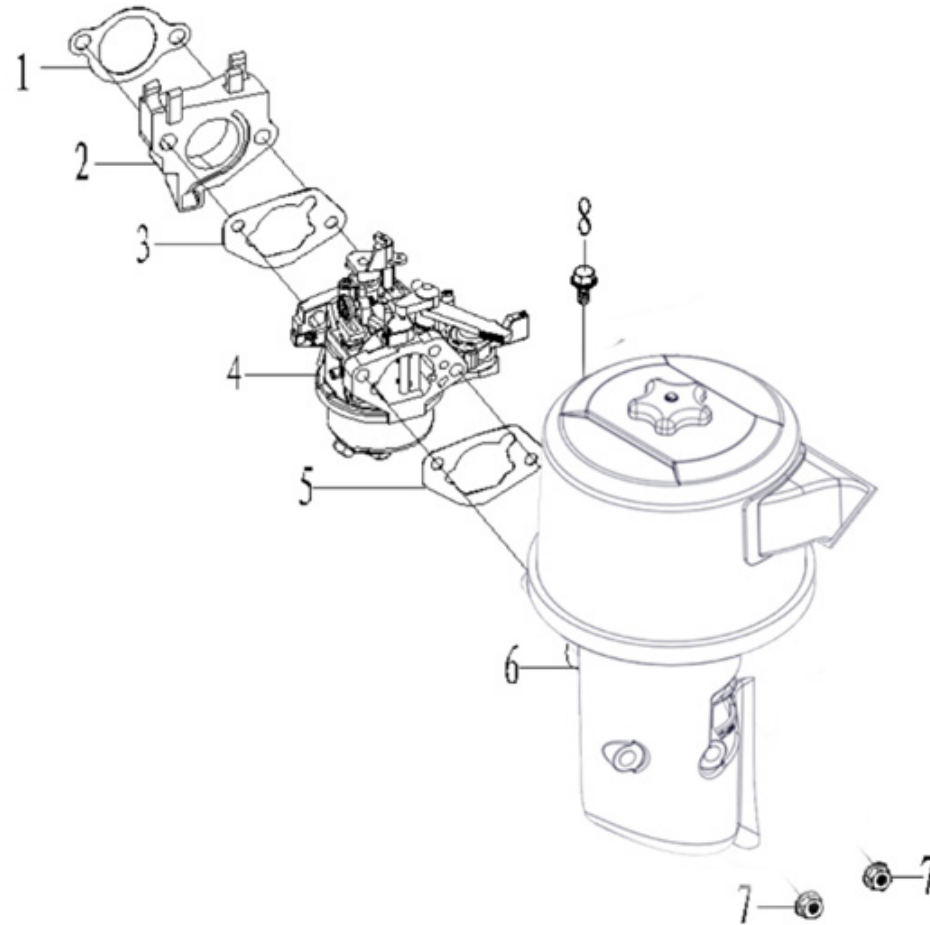


SPARE PARTS DIAGRAM & PARTLIST-AM-MPTC-6600-ENGINE

SL NO	PART NO	DESCRIPTION	SL NO	PART NO	DESCRIPTION
1	AM-177FP-F01	RECOIL STARTER ASSY	17	AM-177FP-F17	BOLT
2	AM-177FP-F02	WIND SCOOPER	18	AM-177FP-F18	Wire clamp
3	AM-177FP-F03	BOLT			
4	AM-177FP-F04	SWITH ASSY,ENGINE STOP			
4.1	AM-177FP-F4.1	PLUG,RECOIL STARTER			
5	AM-177FP-F05	STARTER COMP RECOIL			
6	AM-177FP-F06	CENTER POSITION BOLT			
7	AM-177FP-F07	RATCHET GUIDE			
8	AM-177FP-F08	CENTER POSITION SPRING			
9	AM-177FP-F09	RATCHET STARTER			
10	AM-177FP-F10	SPRING RETURN			
11	AM-177FP-F11	REEL RECOIL STARTER			
12	AM-177FP-F12	SPRING STARTER RETURN			
13	AM-177FP-F13	STARTER COVER COMP RECOIL			
14	AM-177FP-F14	ROPE RECOIL STARTER			
15	AM-177FP-F15	HANDLE STARTER			
16	AM-177FP-F16	RECOIL STARTER ASSY			

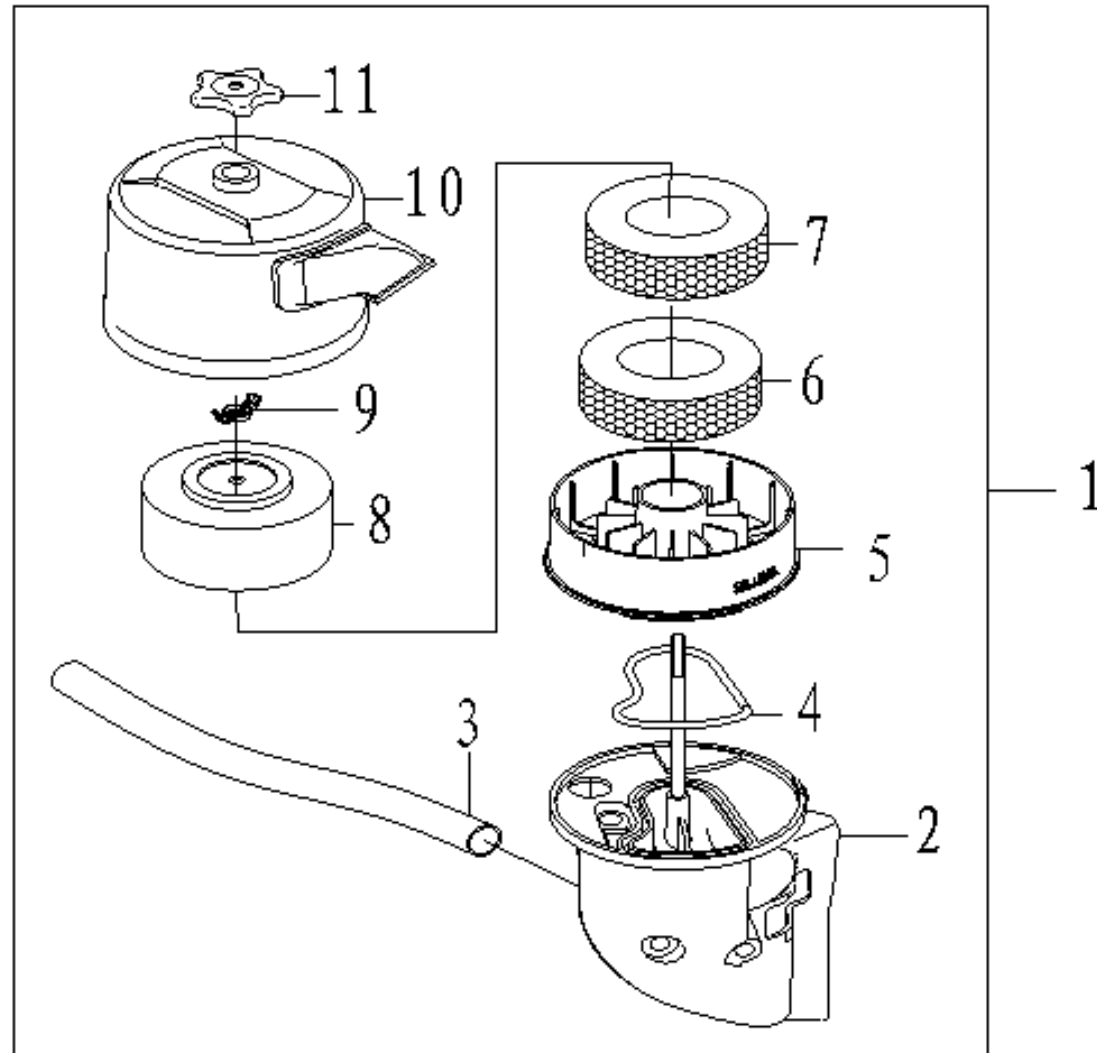
SPARE PARTS DIAGRAM & PARTLIST-AM-MPTC-6600-ENGINE

INLET ASSY - G



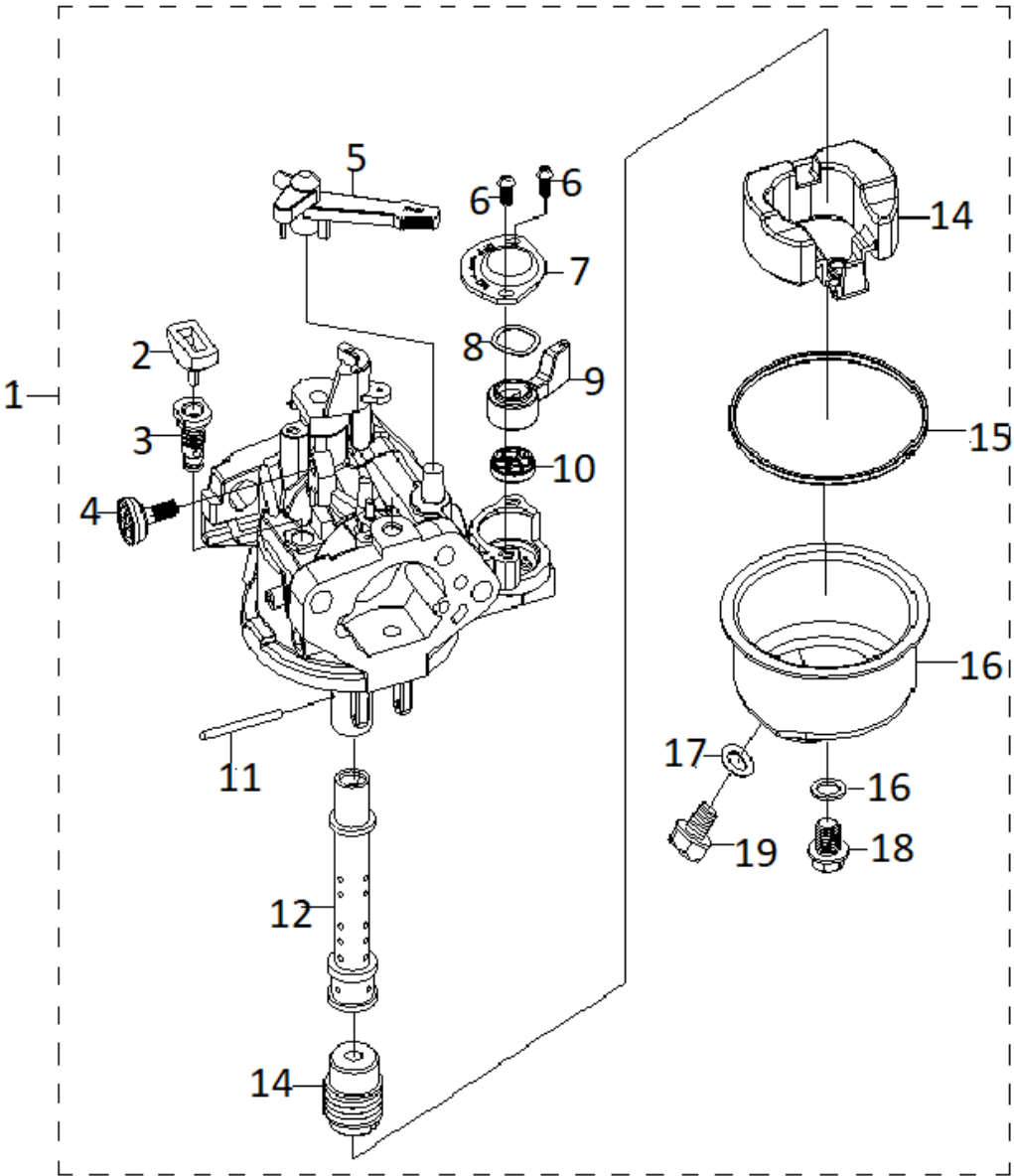
SPARE PARTS DIAGRAM & PARTLIST-AM-MPTC-6600-ENGINE

AIR FILTER ASSY - H



SPARE PARTS DIAGRAM & PARTLIST-AM-MPTC-6600-ENGINE

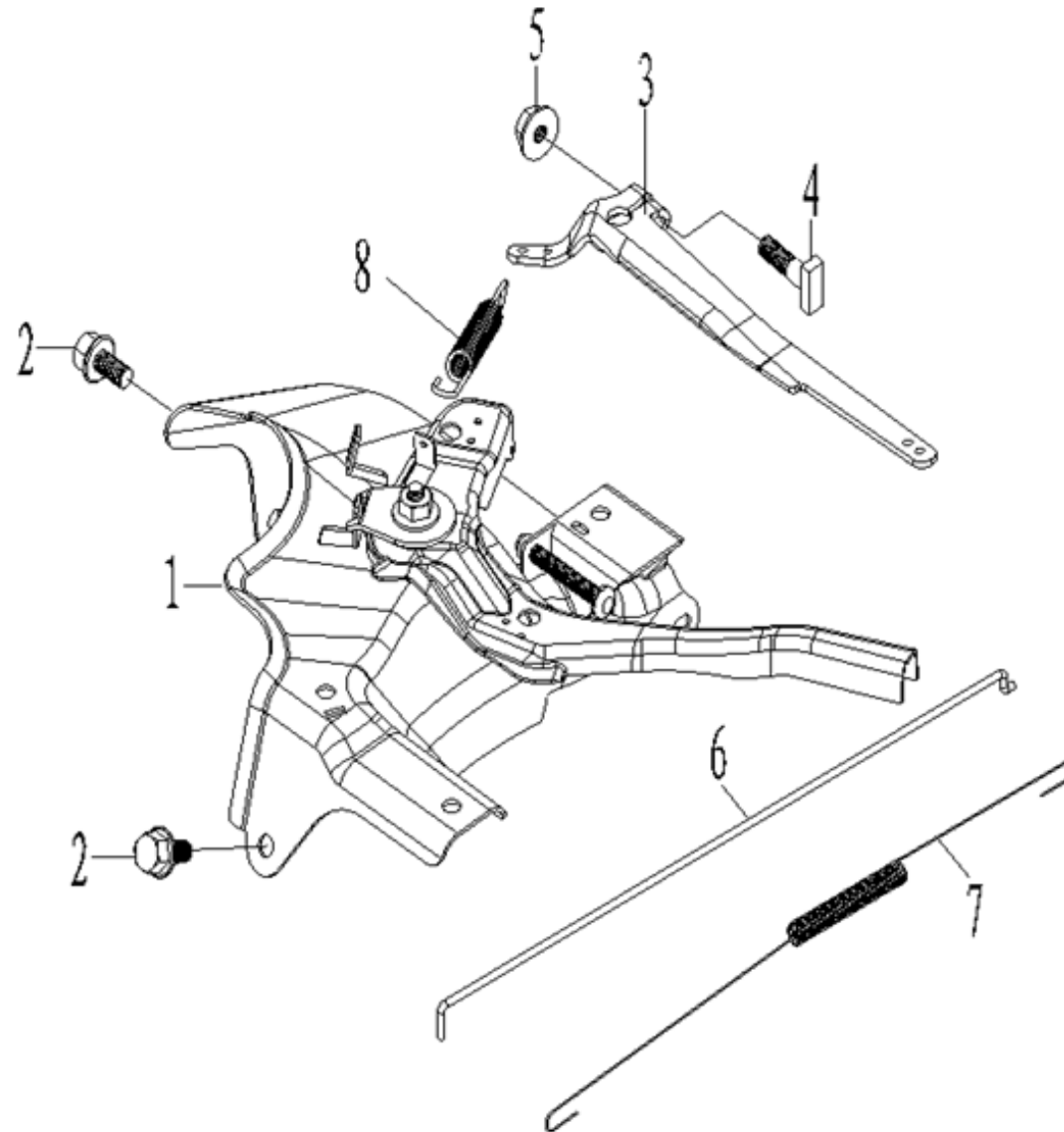
CARBURETOR CIRCUIT ASSY - J



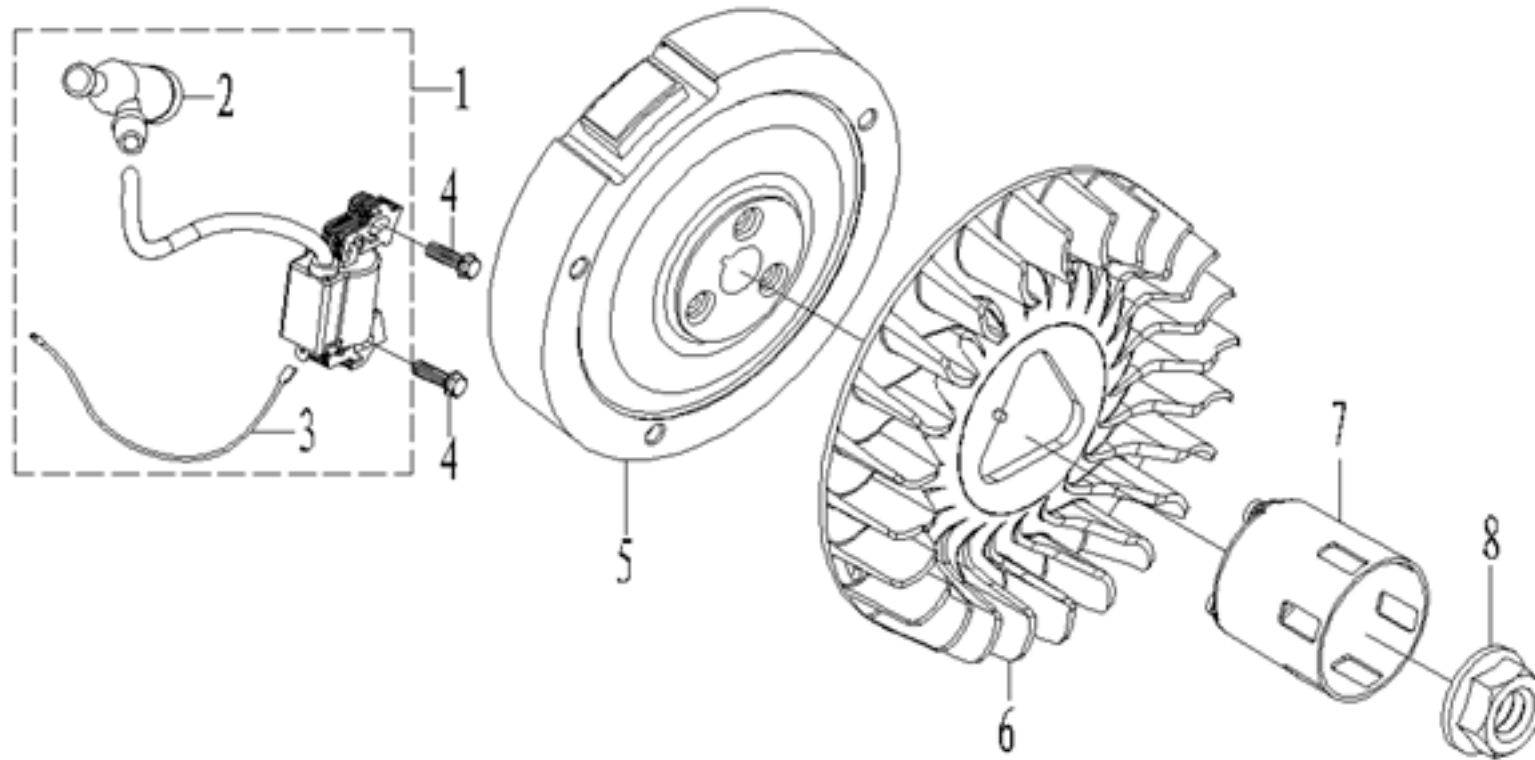
SPARE PARTS DIAGRAM & PARTLIST-AM-MPTC-6600-ENGINE

SL NO	PART NO	DESCRIPTION	SL NO	PART NO	DESCRIPTION
1	AM-177FP-J01	CARBURETOR	17	AM-177FP-J17	GASKET
2	AM-177FP-J02	CAP,IDLE HOLE	18	AM-177FP-J18	BOLT
3	AM-177FP-J03	IDLE HOLE COMPONENT	19	AM-177FP-J19	BOLT&DRAIN PLUG
4	AM-177FP-J04	JET SET PILOT			
5	AM-177FP-J05	CHOKE PLATE HANDLE			
6	AM-177FP-J06	SCREW			
7	AM-177FP-J07	FUEL SWITCH COVER PLATE			
8	AM-177FP-J08	WASHER			
9	AM-177FP-J09	FUEL SWITCH HANDLE			
10	AM-177FP-J10	FUEL SWITCH SEAL			
11	AM-177FP-J11	PIN			
12	AM-177FP-J12	NOZZLE MAIN			
13	AM-177FP-J13	JET MAIN			
14	AM-177FP-J14	FLOAT SET			
15	AM-177FP-J15	CHAMBER SET,FLOAT			
16	AM-177FP-J16	WASHER			

THROTTLE CONTROL ASSY - K

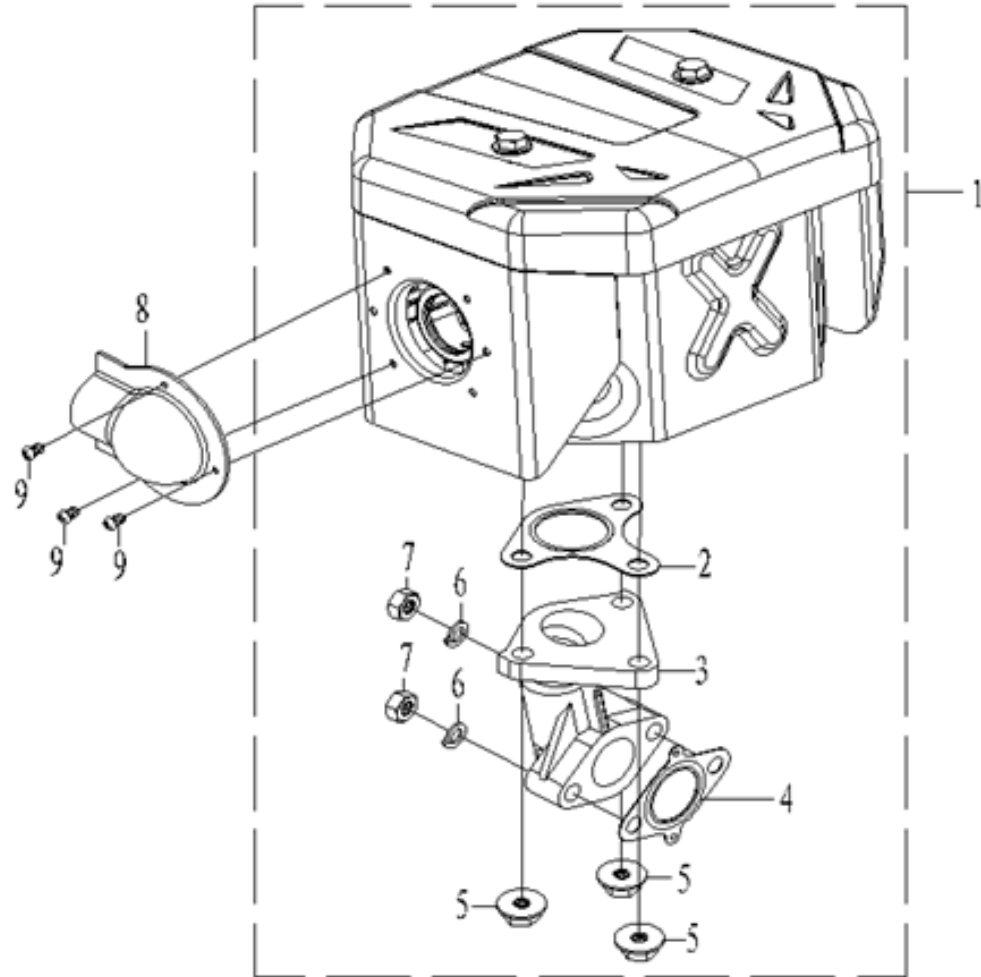


FLYWHEEL AND IGNITION ASSY - L



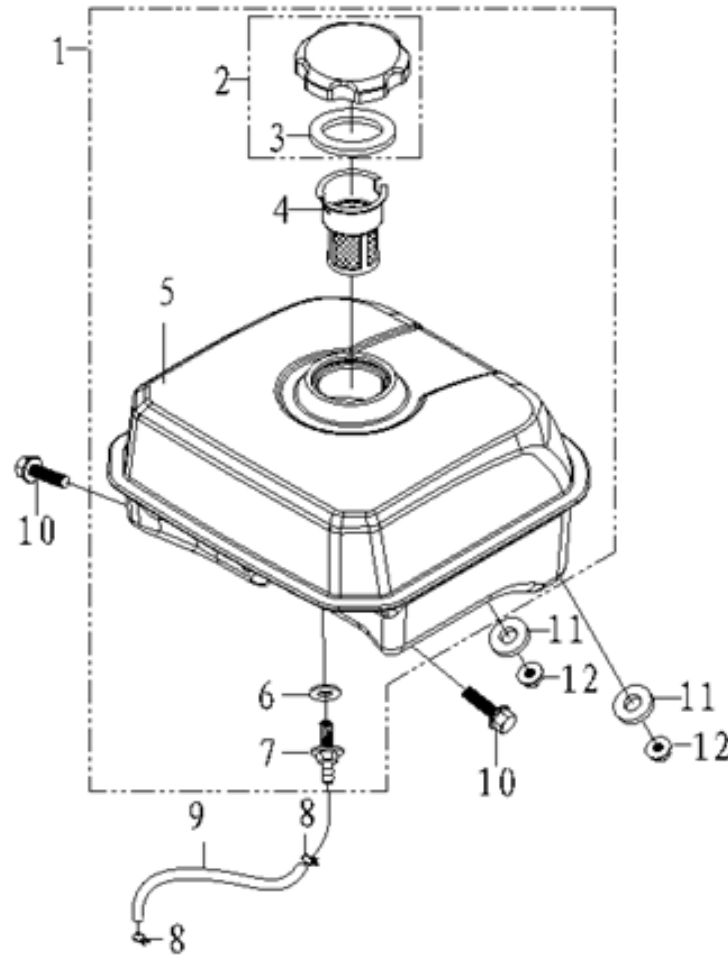
SPARE PARTS DIAGRAM & PARTLIST-AM-MPTC-6600-ENGINE

EXHAUST ASSY - M



SPARE PARTS DIAGRAM & PARTLIST-AM-MPTC-6600-ENGINE

FULE OIL ASSY - N








SPARE PARTS DIAGRAM & PARTLIST-AM-MPTC-6600-ENGINE

SL NO	PART NO	DESCRIPTION	SL NO	PART NO	DESCRIPTION
1	AM-177FP-N01	TANK FUEL COMP.			
2	AM-177FP-N02	CAP COMP,FUEL FILLER			
3	AM-177FP-N03	PACKING,FUEL FILLER			
4	AM-177FP-N04	FILTER FUEL			
5	AM-177FP-N05	FUEL TANK			
6	AM-177FP-N06	PACKING			
7	AM-177FP-N07	JOINT,FUEL TANK			
8	AM-177FP-N08	CLIP,TUBE			
9	AM-177FP-N09	TUBE,FUEL			
10	AM-177FP-N10	BOLT			
11	AM-177FP-N11	WASHER,			
12	AM-177FP-N12	NUT			
13	AM-177FP-N13	Fuel tank rubber gasket			
14	AM-177FP-N14	Wire clamp			

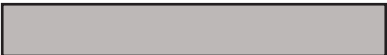




WARRANTY CARD

CUSTOMER COPY

DATE _____	DATE OF DELIVERY _____	DEALERS OFFICIAL SEAL	DEALERS SIGN _____
PURCHASERS NAME & ADDRESS _____ _____	 CUSTOMER SIGN		
PRODUCT NAME	PRODUCT SERIAL NO.	INVOICE/DN NO.	
			






I/Will accept the terms and conditions of warranty as in the warranty card

DEALERS COPY

DATE _____	DATE OF DELIVERY _____	DEALERS OFFICIAL SEAL	DEALERS SIGN _____
PURCHASERS NAME & ADDRESS _____ _____	 CUSTOMER SIGN		
PRODUCT NAME	PRODUCT SERIAL NO.	INVOICE/DN NO.	
			

I/Will accept the terms and conditions of warranty as in the warranty card

COMPANY COPY

DATE _____	DATE OF DELIVERY _____	DEALERS OFFICIAL SEAL	DEALERS SIGN _____
PURCHASERS NAME & ADDRESS _____ _____	 CUSTOMER SIGN		
PRODUCT NAME	PRODUCT SERIAL NO.	INVOICE/DN NO.	
			

I/Will accept the terms and conditions of warranty as in the warranty card

1. LIMITED WARRANTY PERIOD : For a period of six months from the date of Sale / delivery of the product which ever is earlier. 2. LIMITED WARRANTY OBLIGATION : Replacement of defective part(s) by authorized dealer are free of charges. If found defective by reasons of defective material / poor workmanship, parts will be replaced and there will be no value re-imbusement. 3. TERMS & CONDITIONS : a. Claims under warranty will be accepted on submission of Warranty Card duly filled and stamped by authorized dealer together with the original purchase document. : b. Shipping / transportation / Incidental charges incurred in replacing defective parts under warranty shall be borne by the purchaser

WARRANTY null & void if

- (i) Lack of maintenance, (ii) Incorrect use of the machine or tampering, (iii) Use of non-genuine spare parts, (iv) Usage of acids, solvents, or any flammable materials, (v) Non-usage of filter water / clear water / soft water & using water above 40°C temperature, (vi) While using the pressure washers to draw water which is contaminated with dust & solvents (eg. paint thinners, gasoline, oil, etc.), (vii) Repair done by unauthorized service people, (viii) Those parts subject to wear & tear due to normal operations and plastic parts, rubber items etc, (ix) Loose connections, faulty electrical fixtures & fluctuations in power supply.
- 4. Should any failure occur during or after the warranty period, customer does not have the right to interrupt payment / price discount.
- 5. Incidental or consequential damages like inconvenience commercial loss, loss of tie, mental agony etc.
- 6. Loss of any nature due to operation or non-operation is not covered under warranty.
- 7. All free service are at Dealer's service point only.
- 8. Warranty ceases if service is not done periodically.
- 9. The attached card should be completed and returned to Ratnagiri Impex Pvt. Ltd. for registration immediately after sale / delivery.
- 10. The warranty is void unless you register the warranty card with Ratnagiri Impex Pvt. Ltd.
- 11. The decision of Ratnagiri Impex Pvt. Ltd., in settling the warranty is final in all respects.
- 12. All disputes are subject to Bangalore Courts Jurisdiction

1. LIMITED WARRANTY PERIOD : For a period of six months from the date of Sale / delivery of the product which ever is earlier. 2. LIMITED WARRANTY OBLIGATION : Replacement of defective part(s) by authorized dealer are free of charges. If found defective by reasons of defective material / poor workmanship, parts will be replaced and there will be no value re-imbusement. 3. TERMS & CONDITIONS : a. Claims under warranty will be accepted on submission of Warranty Card duly filled and stamped by authorized dealer together with the original purchase document. : b. Shipping / transportation / Incidental charges incurred in replacing defective parts under warranty shall be borne by the purchaser.

WARRANTY null & void if

- (i) Lack of maintenance, (ii) Incorrect use of the machine or tampering, (iii) Use of non-genuine spare parts, (iv) Usage of acids, solvents, or any flammable materials, (v) Non-usage of filter water / clear water / soft water & using water above 40°C temperature, (vi) While using the pressure washers to draw water which is contaminated with dust & solvents (eg. paint thinners, gasoline, oil, etc.), (vii) Repair done by unauthorized service people, (viii) Those parts subject to wear & tear due to normal operations and plastic parts, rubber items etc, (ix) Loose connections, faulty electrical fixtures & fluctuations in power supply.
- 4. Should any failure occur during or after the warranty period, customer does not have the right to interrupt payment / price discount.
- 5. Incidental or consequential damages like inconvenience commercial loss, loss of tie, mental agony etc.
- 6. Loss of any nature due to operation or non-operation is not covered under warranty.
- 7. All free service are at Dealer's service point only.
- 8. Warranty ceases if service is not done periodically.
- 9. The attached card should be completed and returned to Ratnagiri Impex Pvt. Ltd. for registration immediately after sale / delivery.
- 10. The warranty is void unless you register the warranty card with Ratnagiri Impex Pvt. Ltd.
- 11. The decision of Ratnagiri Impex Pvt. Ltd., in settling the warranty is final in all respects.
- 12. All disputes are subject to Bangalore Courts Jurisdiction

1. LIMITED WARRANTY PERIOD : For a period of six months from the date of Sale / delivery of the product which ever is earlier. 2. LIMITED WARRANTY OBLIGATION : Replacement of defective part(s) by authorized dealer are free of charges. If found defective by reasons of defective material / poor workmanship, parts will be replaced and there will be no value re-imbusement. 3. TERMS & CONDITIONS : a. Claims under warranty will be accepted on submission of Warranty Card duly filled and stamped by authorized dealer together with the original purchase document. : b. Shipping / transportation / Incidental charges incurred in replacing defective parts under warranty shall be borne by the purchaser.

WARRANTY null & void if

- (i) Lack of maintenance, (ii) Incorrect use of the machine or tampering, (iii) Use of non-genuine spare parts, (iv) Usage of acids, solvents, or any flammable materials, (v) Non-usage of filter water / clear water / soft water & using water above 40°C temperature, (vi) While using the pressure washers to draw water which is contaminated with dust & solvents (eg. paint thinners, gasoline, oil, etc.), (vii) Repair done by unauthorized service people, (viii) Those parts subject to wear & tear due to normal operations and plastic parts, rubber items etc, (ix) Loose connections, faulty electrical fixtures & fluctuations in power supply.
- 4. Should any failure occur during or after the warranty period, customer does not have the right to interrupt payment / price discount.
- 5. Incidental or consequential damages like inconvenience commercial loss, loss of tie, mental agony etc.
- 6. Loss of any nature due to operation or non-operation is not covered under warranty.
- 7. All free service are at Dealer's service point only.
- 8. Warranty ceases if service is not done periodically.
- 9. The attached card should be completed and returned to Ratnagiri Impex Pvt. Ltd. for registration immediately after sale / delivery.
- 10. The warranty is void unless you register the warranty card with Ratnagiri Impex Pvt. Ltd.
- 11. The decision of Ratnagiri Impex Pvt. Ltd., in settling the warranty is final in all respects.
- 12. All disputes are subject to Bangalore Courts Jurisdiction



FREE SERVICE COUPON (30DAYS/30HRS. WHICHEVER IS EARLIER)

MODEL

SERIAL NUMBER

PDI DATE

SERVICE NO.

PURCHASE BILL NO.

DATE

DEALERS OFFICE SEAL

- 1. Check and test the fuel mixture
- 3. Check , clean and adjust the spark plug
- 5. Check and sparken the cutting tools
- 7. Start and check the noise, vibration, loosen etc..

OPERATIONS

- 2. check and clean the air filter
- 4. Check and adjust the carburetor tuning
- 6. Product familirisation on usage
- 8. Routine maintenance and shortage.

FREE SERVICE COUPON (30DAYS/30HRS. WHICHEVER IS EARLIER)

MODEL

SERIAL NUMBER

PDI DATE

SERVICE NO.

PURCHASE BILL NO.

DATE

DEALERS OFFICE SEAL

- 1. Check and test the fuel mixture
- 3. Check , clean and adjust the spark plug
- 5. Check and sparken the cutting tools
- 7. Start and check the noise, vibration, loosen etc..

OPERATIONS

- 2. check and clean the air filter
- 4. Check and adjust the carburetor tuning
- 6. Product familirisation on usage
- 8. Routine maintenance and shortage.

FREE SERVICE COUPON (30DAYS/30HRS. WHICHEVER IS EARLIER)

MODEL

SERIAL NUMBER

PDI DATE

SERVICE NO.

PURCHASE BILL NO.

DATE

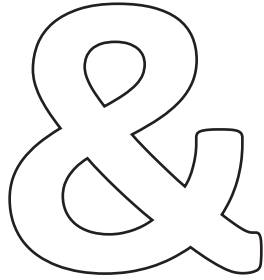
DEALERS OFFICE SEAL

- 1. Check and test the fuel mixture
- 3. Check , clean and adjust the spark plug
- 5. Check and sparken the cutting tools
- 7. Start and check the noise, vibration, loosen etc..

OPERATIONS

- 2. check and clean the air filter
- 4. Check and adjust the carburetor tuning
- 6. Product familirisation on usage
- 8. Routine maintenance and shortage.

DOS

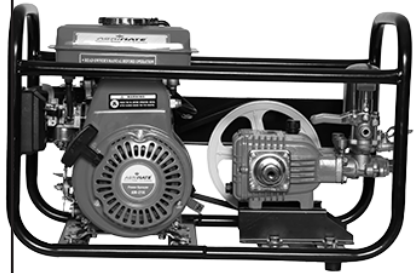
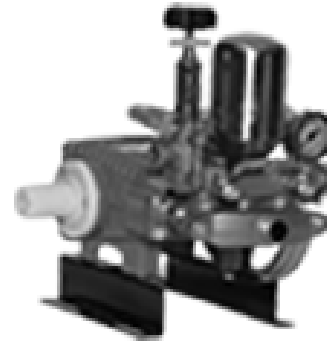


DONT'S

1. Always read the instruction manual supplied along with the equipments and understand the correct installation and operating procedures before attempting to use the equipments.
2. It is important to use the personal protection equipments such as head helmet with visor, ear defenders, goggles, safety gloves, cut resistant shoes, trousers and jackets while operating potentially dangerous machines
3. Avoid untrained persons using the equipments. Children must not be allowed to handle these equipments
4. Always use genuine spares and accessories in repairs and usage to derive maximum life of the equipments.
5. Always keep the equipments in good working condition to minimize loss of output as well as to reduce the pollution and save the environment
6. Do not use the machine within range of persons unless they wear protective clothing
7. Do not operate the machine when fatigued or under the influence of alcohol or drugs
8. When the machine is running, please maintain a constant water supply. Without water circulation will damage the sealing rings of the machine.
9. For more query kindly contact for our Service Center/Dealer/ franchise

Agrimate Army For Pest Control

ANY WHERE - ANY TIME - ANY CROP



Marketed by:
**ratnagiri
impex**
BRINGING YOU THE FUTURE... NOW

RATNAGIRI IMPEX PVT., LTD.,

Annapurna House, #1 / 1G, 7th Cross, New
Guddadahalli

Mysore Road, Bangalore - 560 026

Missed Call : 7393 938 938

Email: ask@agrimart.in