

USER MANUAL


AGRIMATE[®]
Maximum Power - Super Economy

MULTIPURPSE REPAER AM-GR-4G-120GE/GED



DISCLAIMER : DUE TO CONTANT UPGRADATION FEATURES & SPECIFICATIONS ARE SELECT TO CHANGE WITHOUT NOTICE . BEFORE OPERATING THIS MACHIN PLEASE READ THE INSTRUCTIONS MANUAL CAREFULLY

I, Warning

1. Please read this Manual and the Manual of Diesel Engine carefully, and know about the installation, commission, operation, maintenance and management of the Machine.
2. The operator should observe whether there are persons or other barriers around when stepping, turning and walking. It's allowed to drive only after making sure it's safe.
3. It's forbidden to attach any flammable things (for example, diesel) on the Machine, so as to avoid any fire.
4. It's forbidden to start up the engine when it's lack of lubricant. Please add the lubricant and the fuel on operation in time.
5. It's strictly forbidden to remove any protective shell when the Machine in running. It's not allowed to touch the working parts with hand or foot. It's not allowed to close up any turning parts, either. Nobody except the operator could close up the Machine. It's strictly forbidden to stand around the Machine so as to avoid any accident.
6. When the Machine is running, nobody except the operator could close up the Machine. It's strictly forbidden to stand around the Machine so as to avoid any accident.
7. It's required to stop running the Machine first when resolving any malfunction.
8. It's required to add the oil when the engine stops running. Please don't add the oil when the engine is still running or hot. It's necessary to keep away from the fire source when adding the oil. Please screw down the oil cover and clean off the leaked oil after adding the oil.
9. It's necessary to place the filling material according to the height of the ridge when the Machine walks across the ridge, so that the machine could keep the center of gravity balanced.
10. Please pay attention to the noise and performance of the engine. It's required to stop running the engine immediately if there's any abnormal noise or other malfunction.

II, Main Function & Applicable Range

AM-GR-4G120-GE Mini-typed Paddy & Wheat Harvesting Dryer is a kind of man-holding & self-walking harvesting machine. It's the new product with the advanced technology in China, with the renovated surface, strengthened applicability, improved performance, better reliability and optimized technical structure. The Machine is mainly used to harvest the paddy and wheat. It could also be used to harvest the soybeans and reeds. It's applicable in the plain, hills, slopes, small fields, etc. In addition, it's with the advantages of small volume, light weight, flexible performance, simple operation, low batch-cutting, no limit on distance. The Machine could be not only suitable for the harvesting on the big, middle and small fields, but also suitable on the area with inconvenient traffic.

III, Performance Index & Technical Parameters

(I) Performance Index

In the conditions of no weed on the cutting line, crop standing, the paddy with the natural height of 500-1000mm, the lodge angle less than 10°, and the wind power no more than 3m/s, the Machine would have the performance index as follows:

Item Index

Placing Angle 90°±20°

Total Losing Rate (%) Wheat 0.5, rice 1.0

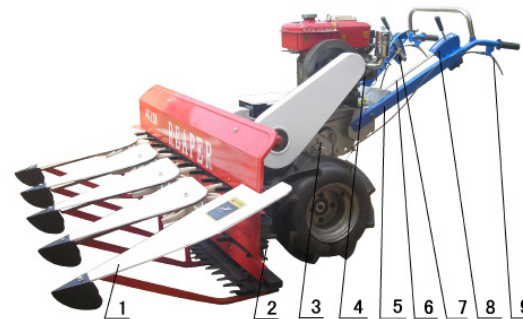
Model	AM-GR-4G120-GE
Type of Cutting Table	Standing-Typed
Cutting Width (mm)	1200
Min Cutting Height (mm)	≥50
Placing Type	Sidewise & Banded Placed
Productivity (M2)	2400-2700
Overall Dimensions (mm) (L*W*H)	2200*1600*1100
Total Weight (Kg)	Around 210
Matched Power (kw)	3.64 (4.5 horsepower)
Teeth Space (mm)	127
Running Speed of Crank (r/min)	550
Diameter of Star Wheel (mm)	280
Working Speed (km/h)	2.6~3.6
Chain Speed (m/s)	2.24
Number of Operator	1

IV, Harvesting Process

For AM-GR-4G120-GE Self-Walking Mini-typed Paddy & Wheat Harvesting Dryer, it's driven by the diesel engine. The power is outputted to the chain wheel through the gear box, and then to the gear case of the cutting platform. Then, it drives the cutting knife moving through the gear case, the eccentric wheel and the connecting rod. Later, the power is transmitted to the transmission shaft through the chain wheel on the gear-case box so as to make the transmission chain wheel working. When the Machine walks forward, the divider and the grain-lifter in front of the cutting platform would touch the crop first. Then, the grain-lifter cover, the grain-lifter star wheel and the belt would work together to lift and convey the crop to the cutting platform for cutting. With the comprehensive function of the upper & lower conveying chains, the grain-lifter star wheel, and the upper & lower pressing springs of the grain-lifter, the cut crop would keep standing and be conveyed to the exit, and then placed on the field. (Drawing 1)



DRAWING 1



DRAWING 2

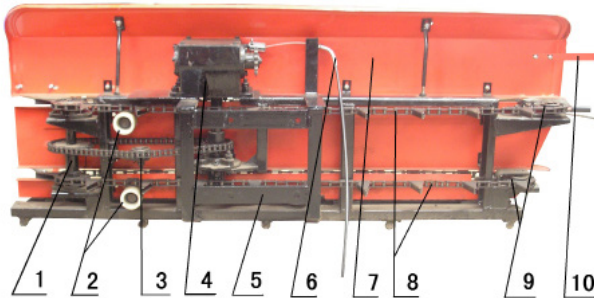
Drawing 2: Schematic of the Machine

- 1, guide, Fu Wo Combination
- 2, cutting rack
- 3, gearbox assembly
- 4, diesel engine
- 5, armrest frames
- 6, 7 cut sets aside Danggan clutch
- 8, the main clutch
- 9, steering handle

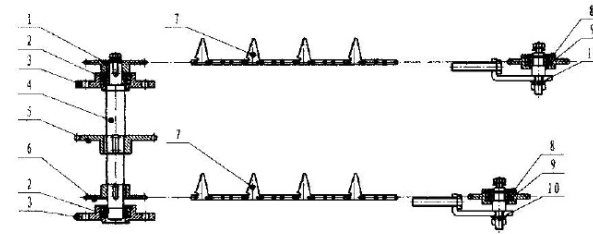
(I) Cutting-Platform Support

The cutting-platform support is the fundamental part as well as the framework of the Machine. The cutter, the divider, the grain-lifter, the gear box and the conveying device are all installed on the support.

1. The cutting-platform support is made up of the transmission shaft subassembly, the tension sprocket, the gear case assembly, the connecting socket, the baffle, the conveying chain and the passive sprocket. (Drawing 3)



DRAWING 3



DRAWING 4

Drawing 3: Cutting-Platform Support

1. Transmission shaft combination of two. Entrusted sprocket 3. Tensioning sprocket 4. Gear box combination of 5, the connection frame 6. Clutch Cable 7. Tailgate 8, on. Next conveyor chain 9, the passive guide sprocket 10 Wo Plate

(1) Cutter

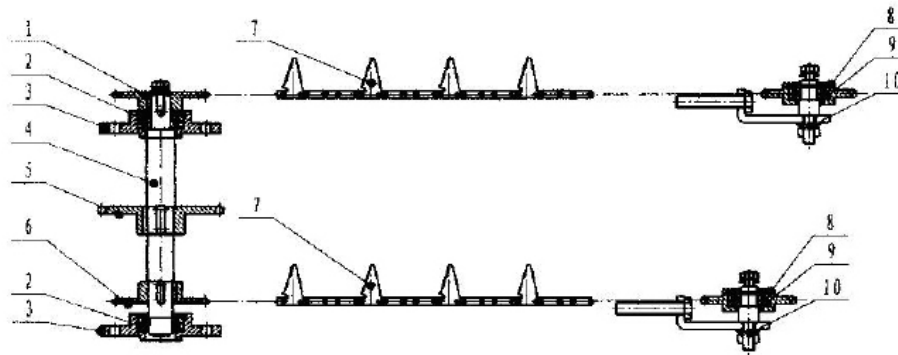
The cutter is installed on the lower part of the cutting platform, which is the main working part of the Machine. Its performance would influence the Machine directly. When the Machine is running, the gear case, the eccentric axle pin and the connecting rod would drive to make the fixed and moving knives moving, so as to cut the crop. It's mainly made up of the knife pressing riveting, the moving knife riveting, the upper friction lining, the lower friction lining, hole ring, axle ring, bearing 1203, connecting-rod bushing and fixed knife riveting. (Drawing 4)

- 1. Knife Pressing Device Riveting
- 2. Moving Knives Riveting
- 3. Upper Friction Plate
- 4. Lower Friction Plate
- 5. Fixed Knives Riveting
- 6. Cosmotec CT
- 7. Bearing 1203
- 8. Block dust cover
- 9. Ring for Hole
- 10. Connecting Rod Cover

(2) Gear Case

Gear case is the power transmission part of the Machine. It transmits the power from the gear box to the moving knife of the cutter, the conveying chain and other working parts.

The gear case transmits the power of the gear box not only to the moving knife of the cutter, but also to the transmission shaft, so as to make the conveying chain working. It's mainly made up of the gear, a pair of clutches, thrust ball bearing 51107, transmission short shaft, a pair of bevel gears, power output sprocket, bearing 6204, transmission shaft of gear case, transmission sprocket of conveying axle, bearing UC205, eccentric wheel's welding bearing 1203, and connecting-rod bushing. (Drawing 5)

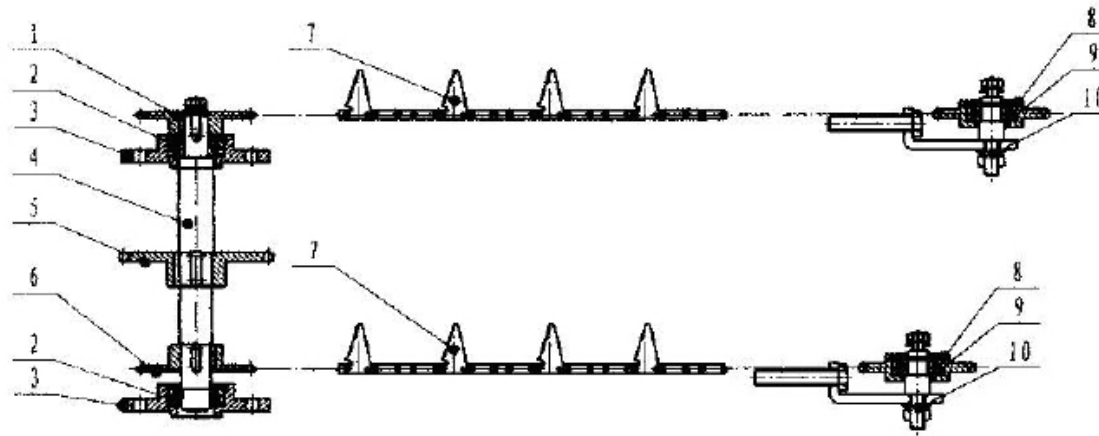


Drawing 5: Gear Case Subassembly

1. Gear
2. A Pair of Clutches
3. Thrust Ball Bearing 51107
4. Transmission Short Shaft
5. A Pair of Bevel Gears
6. Power Output Sprocket
7. Bearing 6204
8. Transmission Shaft of Gear Case
9. Transmission Sprocket of Conveying Axle
10. Bearing UC205
11. Eccentric Wheel's Welding
12. Bearing 1203
13. Connecting-Rod Bushing

(3) Conveying Device

The conveying device is used to convey the cut crop to the right side of the cutting platform, turn the crop vertical to the moving direction of the Machine could be 90°, and place on the field tidily. It's mainly made up of the conveying axle sub-assembly, the upper conveying chain subassembly, the lower conveying chain subassembly and the passive sprocket subassembly. (Drawing 6)



Drawing 6: Conveying Device

- 1 On the conveyor drive wheel
- 2.6203 Bearing
3. Flat Bearing
4. Drive Axle
5. Drive Sprocket
6. Under the conveyor drive wheel
7. Conveyor Chain
8. Conveyor Tension Sprocket
9. 6202 Bearing
10. Tension wheel strut on the welding parts

Installation & Commission

The Machine is packaged and delivered with the separated cutting platform, the upper baffle, the grain-lifter, the divider, the walking organ, the upper catch lever, the engine, etc. Thus, it's necessary to check whether the parts and accessories are lost or damaged during the transportation before installation. The users could have the installation and commission referring to the following regulations:

Installation

(I) Installation of Grain-Lifter, Divider and Cutting Platform

1. Please separate the bound grain-lifter and the divider firstly, and then install the grain-lifter from right to left gradually. (Note: The single-ear grain-lifter is installed on the far right side. Remove the original fixed nut, put the fixed pin on the grain-lifter, and then fasten the grain-lifter on the bottom board. Finally, please install the divider on the left side of the cutting platform's bottom board and adjust the pressing spring of the divider accordingly. For adjusting the pressing spring, it's advised to keep the pressing spring 1cm away from the baffle. Please fasten the nut after adjusting.

2. Open the case, and install the crop-lever between the divider and the baffle of the cutting platform. The front side is set on the pin of the bottom beam of the divider and locked with the flat pad and the split pin. The other side should be fixed with M6X6 hexagonal flange bolt on the hole on the left side of the baffle of the cutting platform.

(II) Installation of Walking Organ & Cutting Platform

1, the cession of Taiwan travel agencies placed the rear of the front of the running gear rack behind the hole and cut the connection Kong Taiwan coincide with the four connector bolts tightened with the M10.

2. Please fix the adjusting bolt in the front of the gear-case's clutch pulling line on the walking organ on the connecting base of pulling line. Clip the head of the pulling line on the gear-box's clutching axle head, and then pass through the split pin. It's available to adjust the length of the pulling line by adjusting the two fixed nuts. Please fasten the two nuts after adjusting with the proper position.

3 will drive the chain and sprocket gear box connect. Pressure on the tension wheel, and then fitted with protective covers.

(III) Installation of Engine

Install the engine on the engine support and fix with 4 pieces of M10X45 hexagonal bolts, which is not necessary to be fastened now. Then, install the v-belt, adjust the engine to make two v-belt wheel on the same level. Now, it's required to fasten the bolt, and press the ground cable of the engine under the bolt.

Operational Safety Regulations

1. The operator should know about the requirements and regulations on the Manual, and grasp them skillfully. Please operate the Machine safely, so as to keep the Machine running on the normal status.
2. Before starting up the engine, it's necessary to add the oil (diesel, lubricant) and water, and to check the connection of the parts. After startup, it's required to observe the running of the engine (especially the clutch).
3. When the diesel engine "speeds", it's necessary to flame out immediately (stop supplying oil, close down the inlet pipe, or turn on the reliever).
4. It's strictly forbidden to do any check, repairing or commission when the Machine and the diesel engine work.
5. When the Machine is working, nobody could stand before the cutting platform. It's necessary to cut off the power supply of the cutting platform when cleaning the crop and weeds. It's strictly forbidden to stretch the hand to the cutter.
6. It's necessary to stop running the Machine immediately if there's any block or there's any malfunction on the gear box, gear case or the cutter. And then restart up the Machine after resolving the malfunction. Otherwise, the parts would be damaged.
7. When turning or driving in reverse, it's necessary to reduce the accelerator and stop cutting.
8. It's advised to do the harvesting when the Machine runs stably. The Machine should keep the good working status, with the handles flexible and reliable, and the transmission parts running normally.
9. For harvesting the lodging crop, the converse harvesting would have the better efficiency.
10. It's required to check the bolts of the gear box, gear case and the bearing base regularly.

Operation & Using

Warning:

Please refer to the following regulations to avoid any accident.

1. Please install the shell removed on checking and commission. Please don't put the flammable things near the vent of the muffler.
2. Please open the windows and door for ventilation to avoid any gas poisoning if the Machine starts up indoors.
3. Please confirm the positions of the walking clutching handle (unoccupied), the master clutch handle (separated) and the harvester's clutch handle (separated) and notice whether there are children or others around when starting up.

1. Preparation and Startup

- (1) Do the preparation referring to the Manual of Diesel Engine before running.
- (2) Check the lubrication of the cases and the connecting bolts.
- (3) Place the clutch handle on the position of "separating", the tap handle on the neutral gear, and the accelerator on "startup".
- (4) Start up the engine.

2. Stepping

- (1) Place the tap handle on “gear” position.
- (2) Place the belt clutch handle on “gear” position smoothly, so as to make the Machine step stably.
- (3) Place the gear-case’s clutch handle on “gear” position for the trial running of the cutter.

3. Gear Shifting & Reversing

- (1) Place the belt clutch handle on “separating” position.
- (2) Place the tap handle on gear-reversing position.
- (3) Place the belt clutch handle on “gear” position smoothly, so as to make the Machine walk backward (or forward).
- (4) Please have the gear shifting after stopping the Machine. It’s strictly forbidden to shift the gear on walking.
- (5) If it’s failed to put into gear once, please connect the clutch handle and separate, and then put into gear again. It’s not allowed to put into gear by force, which would damage the gears.

4. Turning

For turning right, please hold the right-turning handle tightly. For turning left, please hold the left-turning handle tightly.

5. Operation on Field

- (1) The height of the cutting stubble is determined by the operator.
- (2) Preparation (referring to Drawing): Please cut the crop at four corners manually with the square of 3 * 3M, so that the Machine would operate and turn on the field. If the field ridge is too high to place, please cut off 2-3 rows of crop first.
- (3) a. Please pay attention to the barriers including stub, numb, bricks, iron wire and deep pits on the field, so as to avoid damaging the Machine. b. Generally, the Machine enters the field from the left corner, and harvest clockwise. c. If the crop fallen heavily, please harvest manually. If the crop fallen lightly, it’s advised to harvest reversely. If the condition is limited, it’s advised to harvest in the vertical lodging direction. d. If the field is wet, and the rubber wheels skid heavily, it’s necessary to cancel the harvest. e. If it’s heavily windy, it’s advised to harvest crosswind, so as to improve the performance. f. When the Machine walks downhill, it’s advised to increase the resistance manually (because the clutch is with single-direction connecting tines). g. If the weeds twists the Machine, please decrease the speed immediately and separate the clutch, so as to stop running the engine and to remove the malfunction.

6. Stopping

(1) Place the belt clutch handle and the gear-case's clutch handle on "separating" position.

(2) Place the gear handle on the neutral gear position.

(3) Make the engine flameout.

Warning: Please add the oil and have the checking on the flat field after the engine stop running.

Danger: Please abide by the following regulations to avoid any fire.

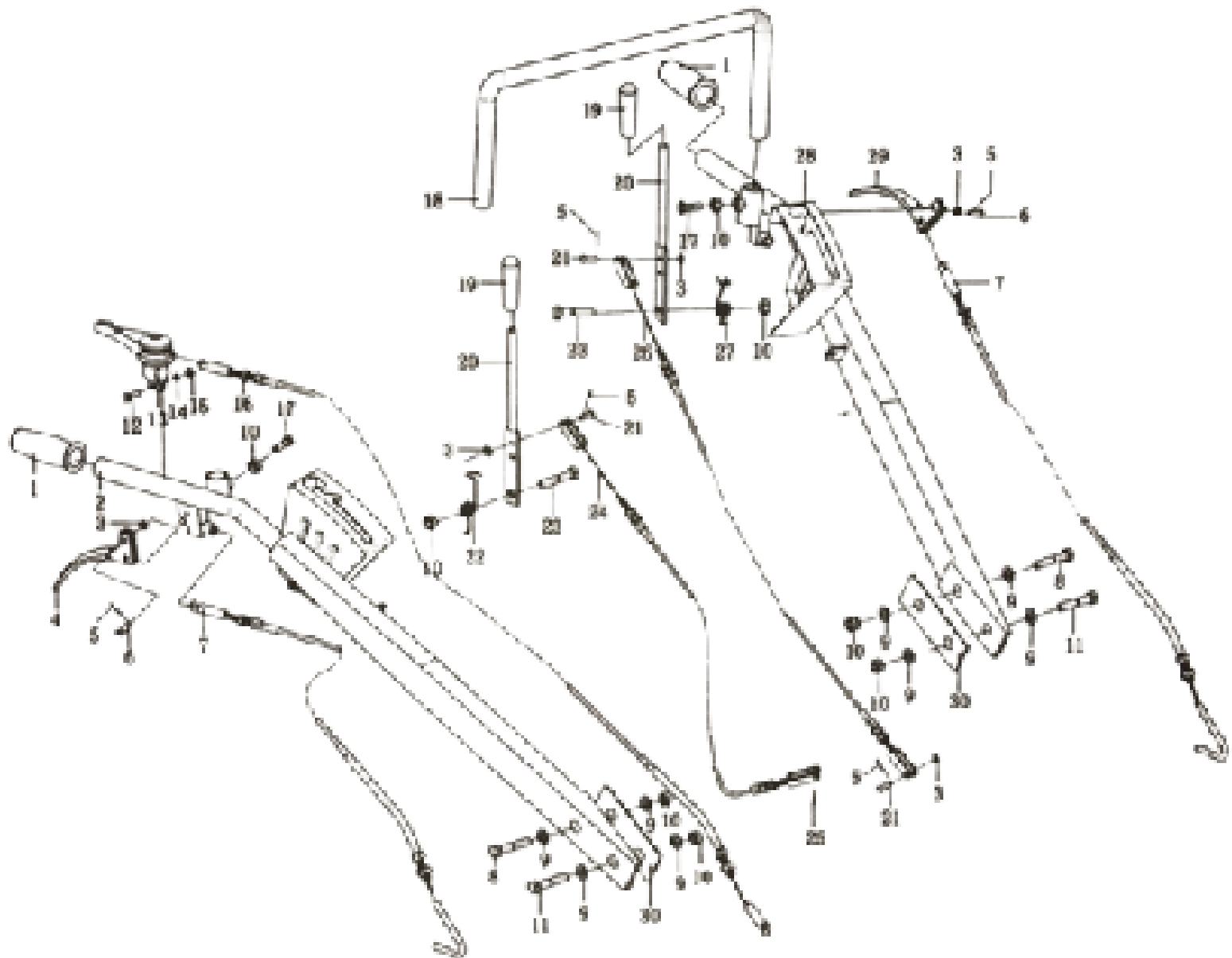
1. Don't add the oil into the engine when the Machine is turning around or the engine is too hot.

2. Please keep away from the fire source when adding the fuel.

3. Please screw down the cover and clean off the leaked fuel after adding the fuel.

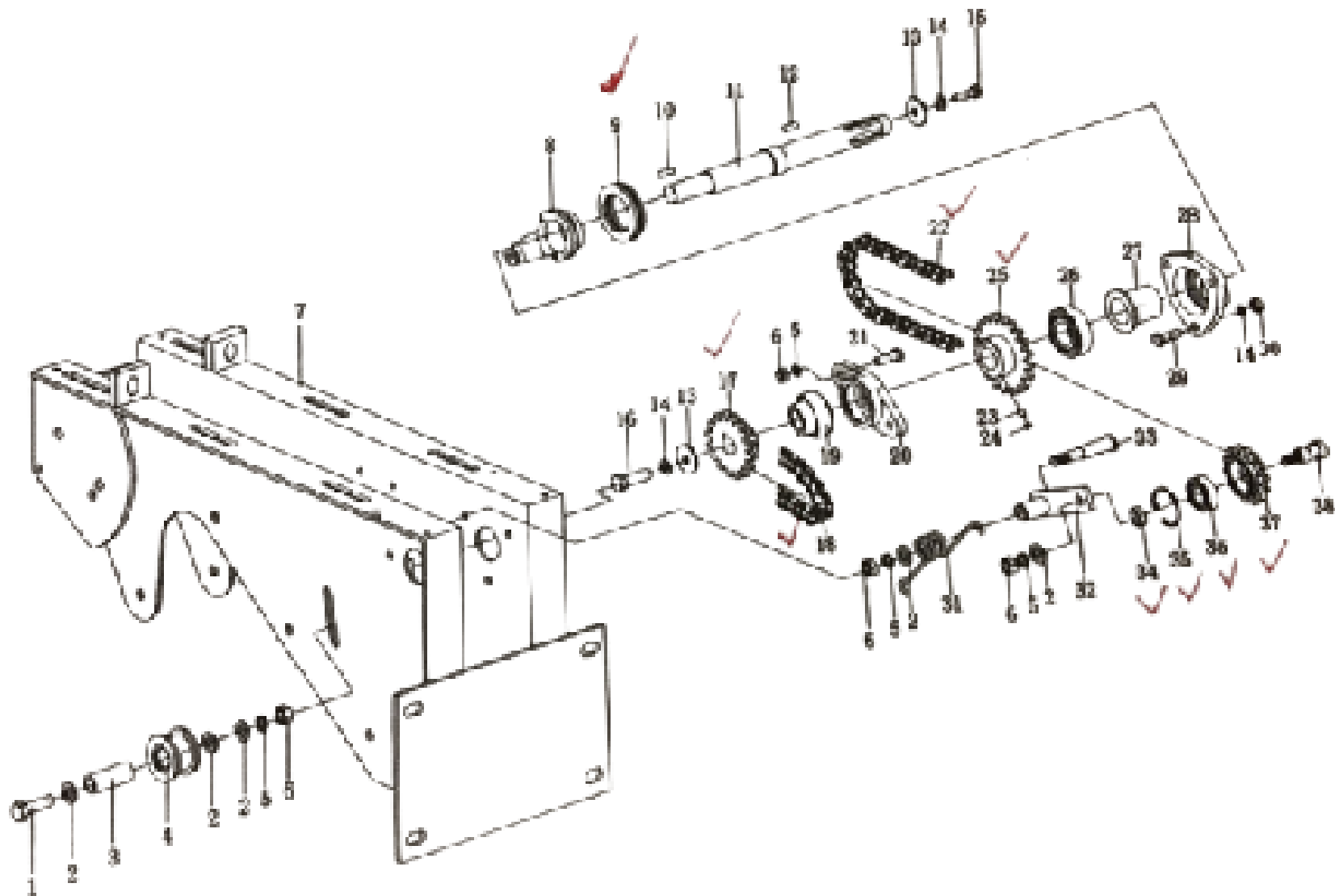
4. The damaged fuel case or the fuel leaked from the tube could result in the fire. Thus, please check whether there's any oil leakage and replace the accessories accordingly.

STEERING ASSY - A



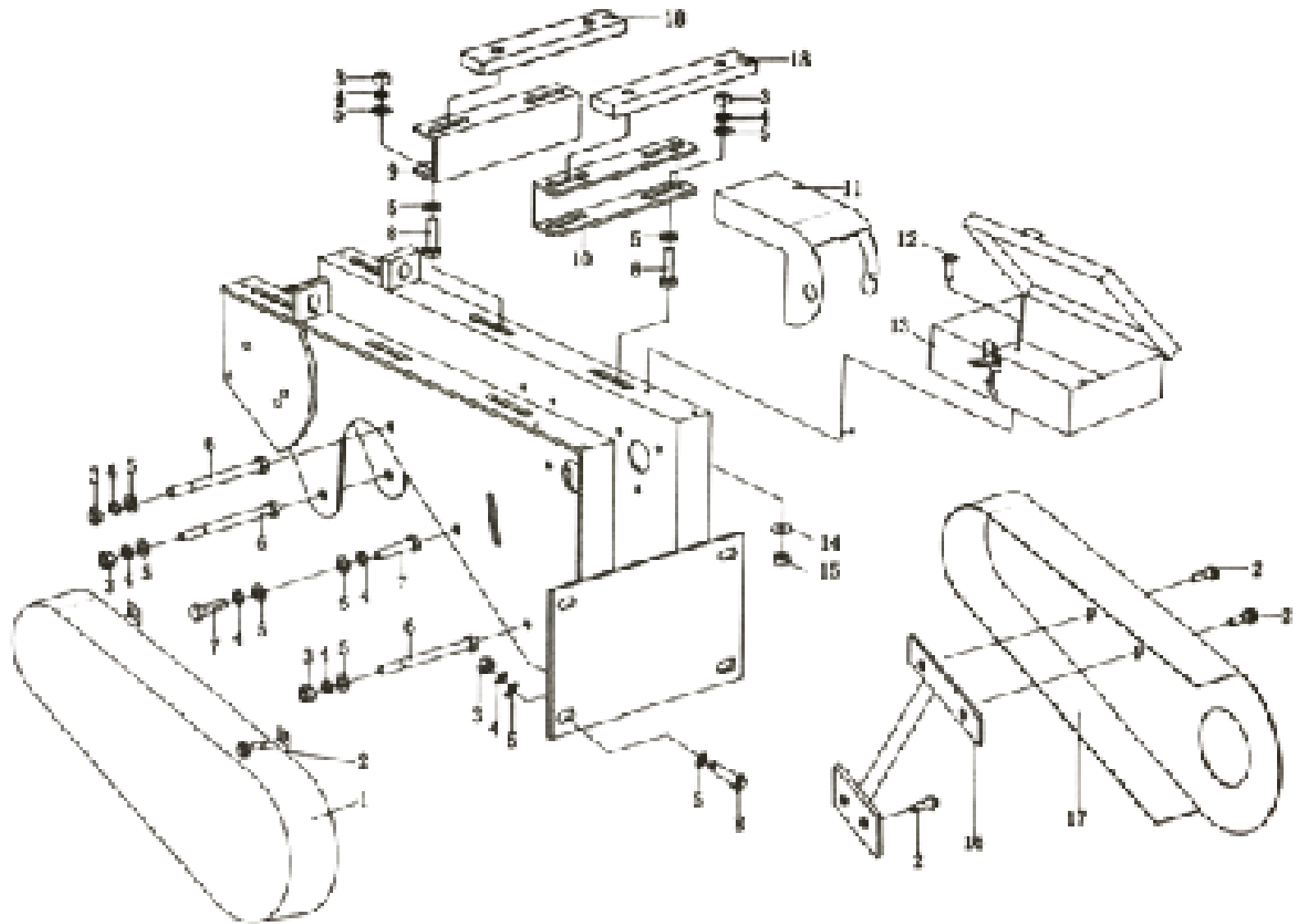
SL NO	PART NO	DESCRIPTION	SL NO	PART NO	DESCRIPTION
1	AM-GR-4G120-TA01	Grip for handle	17	AM-GR-4G120-TA17	Spring washer
2	AM-GR-4G120-TA02	Handle (R)	18	AM-GR-4G120-TA18	Handle Aux
3	AM-GR-4G120-TA03	Washer 6	19	AM-GR-4G120-TA19	Grip for Clutch lever
4	AM-GR-4G120-TA04	Steering handle	20	AM-GR-4G120-TA20	Clutch lever
5	AM-GR-4G120-TA05	Split pin	21	AM-GR-4G120-TA21	Pin Shaft
6	AM-GR-4G120-TA06	Pln Shaft	22	AM-GR-4G120-TA22	Tension Spring for lever
7	AM-GR-4G120-TA07	Steering cable (R)	23	AM-GR-4G120-TA23	BOLT
8	AM-GR-4G120-TA08	Bolt	24	AM-GR-4G120-TA24	Reaper clutch cable
9	AM-GR-4G120-TA09	Washer	25	AM-GR-4G120-TA25	Split
10	AM-GR-4G120-TA10	Nut	26	AM-GR-4G120-TA26	Main Clucth cable
11	AM-GR-4G120-TA11	Bolt	27	AM-GR-4G120-TA27	Tension Spring for lever
12	AM-GR-4G120-TA12	Bolt	28	AM-GR-4G120-TA28	Handle (L)
13	AM-GR-4G120-TA13	Throttle cable	29	AM-GR-4G120-TA29	Steering handle (L)
14	AM-GR-4G120-TA14	Bolt	30	AM-GR-4G120-TA30	Rubber cusion of handle
15	AM-GR-4G120-TA15	Nut			
16	AM-GR-4G120-TA16	Throttle cable			

TRANSMISSION BOX FRAME ASSY I - B



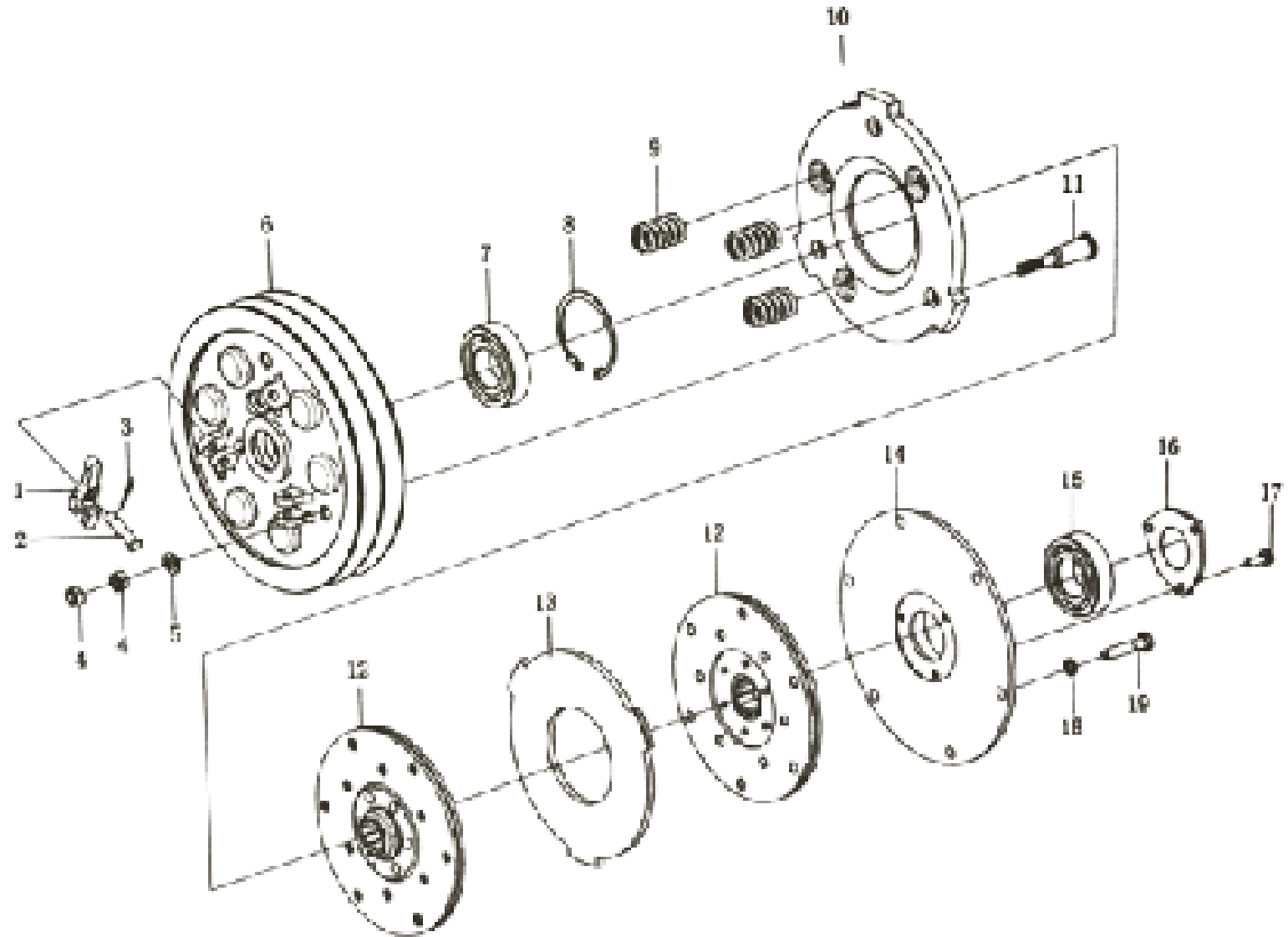
SL NO	PART NO	DESCRIPTION	SL NO	PART NO	DESCRIPTION
1	AM-GR-4G120-TB01	Bolt	20	AM-GR-4G120-TB20	BEaring base
2	AM-GR-4G120-TB02	Washer	21	AM-GR-4G120-TB21	BOLT
3	AM-GR-4G120-TB03	Roller Sleeve	22	AM-GR-4G120-TB22	Chain
4	AM-GR-4G120-TB04	Roller	23	AM-GR-4G120-TB23	Nut
5	AM-GR-4G120-TB05	Spring washer	24	AM-GR-4G120-TB24	Lock Screw
6	AM-GR-4G120-TB06	Nut	25	AM-GR-4G120-TB25	Sprocket
7	AM-GR-4G120-TB07	Transmission box frame	26	AM-GR-4G120-TB26	Bearing
8	AM-GR-4G120-TB08	Seperting base	27	AM-GR-4G120-TB27	Clutch shaft bearing base sleeve
9	AM-GR-4G120-TB09	Bearing	28	AM-GR-4G120-TB28	Clutch shaft bearing base
10	AM-GR-4G120-TB10	Key	29	AM-GR-4G120-TB29	Bolt
11	AM-GR-4G120-TB11	Clutch shat	30	AM-GR-4G120-TB30	NUt
12	AM-GR-4G120-TB12	Key	31	AM-GR-4G120-TB31	Outer arm tension spring
13	AM-GR-4G120-TB13	Washer	32	AM-GR-4G120-TB32	Pressing plate welding
14	AM-GR-4G120-TB14	Spring washer	33	AM-GR-4G120-TB33	Spring shaft
15	AM-GR-4G120-TB15	Bolt	34	AM-GR-4G120-TB34	Space ring
16	AM-GR-4G120-TB16	Bolt	35	AM-GR-4G120-TB35	Collar
17	AM-GR-4G120-TB17	Sprocket	36	AM-GR-4G120-TB36	Bearing
18	AM-GR-4G120-TB18	Chain	37	AM-GR-4G120-TB37	Sprocket
19	AM-GR-4G120-TB19	Bearing	38	AM-GR-4G120-TB38	Shaft of Sprocket

TRANSMISSION BOX FRAME ASSY II - C



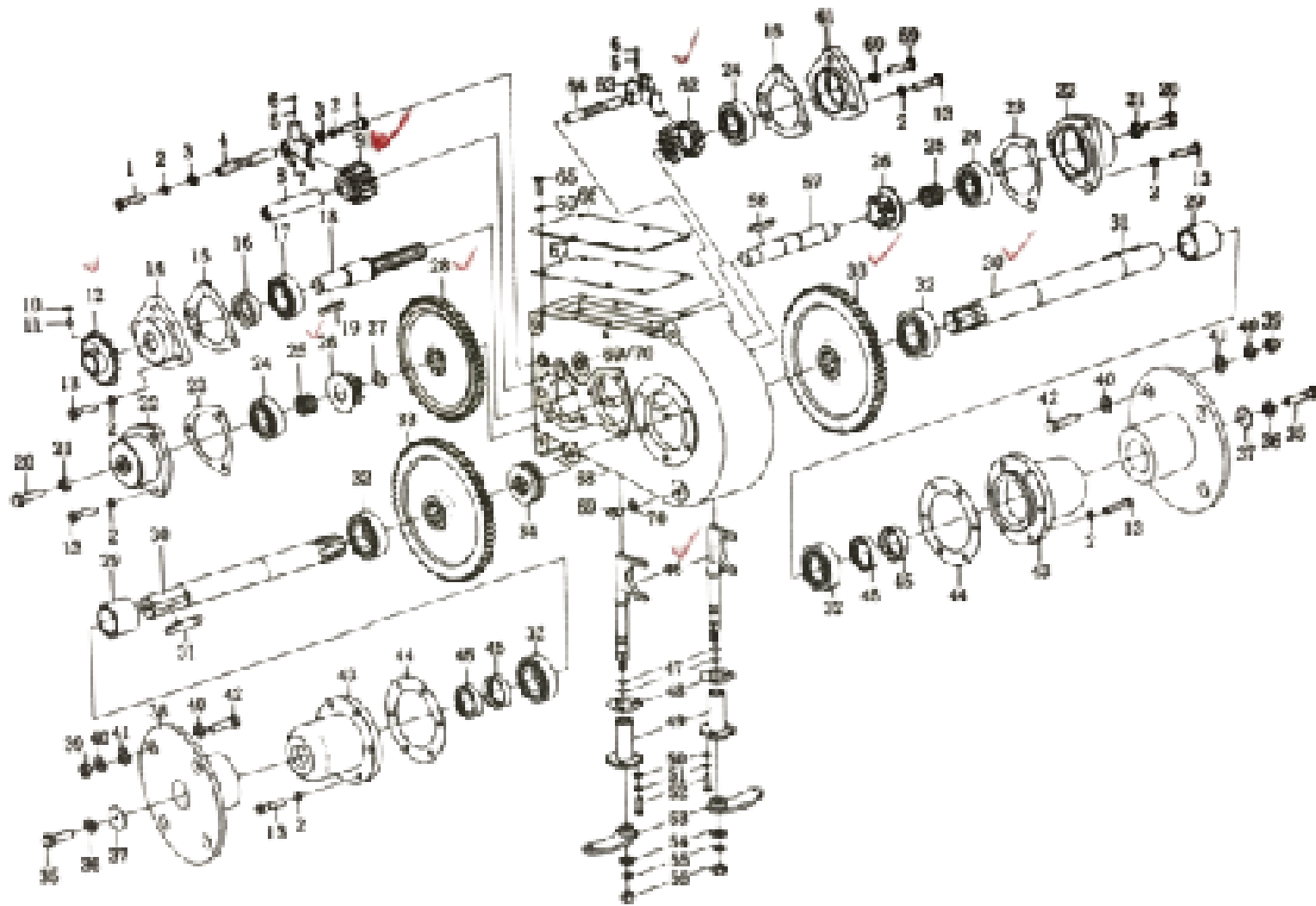
SL NO	PART NO	DESCRIPTION
1	AM-GR-4G120-TC01	Transmission chain cover
2	AM-GR-4G120-TC02	Bolt
3	AM-GR-4G120-TC03	Nut
4	AM-GR-4G120-TC04	Washer
5	AM-GR-4G120-TC05	Washer
6	AM-GR-4G120-TC06	Bolt
7	AM-GR-4G120-TC07	Bolt
8	AM-GR-4G120-TC08	Bolt
9	AM-GR-4G120-TC09	Engine pedestal A
10	AM-GR-4G120-TC10	Engine pedestal B
11	AM-GR-4G120-TC11	Output chain cover
12	AM-GR-4G120-TC12	Bolt
13	AM-GR-4G120-TC13	Tool kit
14	AM-GR-4G120-TC14	Washer
15	AM-GR-4G120-TC15	Nut
16	AM-GR-4G120-TC16	V-Belt Cover supporter
17	AM-GR-4G120-TC17	V-Belt Cover
18	AM-GR-4G120-TC18	Engine Cushion
19	AM-GR-4G120-TC19	V-Belt

MAIN CLUTCH ASSY - D



SL NO	PART NO	Description	SL NO	PART NO	Description
1	AM-GR-4G120-TD01	Separating Lever	12	AM-GR-4G120-TD12	Friction Plate
2	AM-GR-4G120-TD02	Pin Shaft of Lever	13	AM-GR-4G120-TD13	Clutch Plate
3	AM-GR-4G120-TD03	Pin	14	AM-GR-4G120-TD14	End Cover of Main Clutch
4	AM-GR-4G120-TD04	Nut	15	AM-GR-4G120-TD15	Bearing
5	AM-GR-4G120-TD05	Washer	16	AM-GR-4G120-TD16	Bearing Cover
6	AM-GR-4G120-TD06	Belt Pully	17	AM-GR-4G120-TD17	Screw
7	AM-GR-4G120-TD07	Bearing	18	AM-GR-4G120-TD18	Washer
8	AM-GR-4G120-TD08	Colloar	19	AM-GR-4G120-TD19	Bolt
9	AM-GR-4G120-TD09	Pressing Spring			
10	AM-GR-4G120-TD10	Fixing Plate			
11	AM-GR-4G120-TD11	Adjusting Screw			

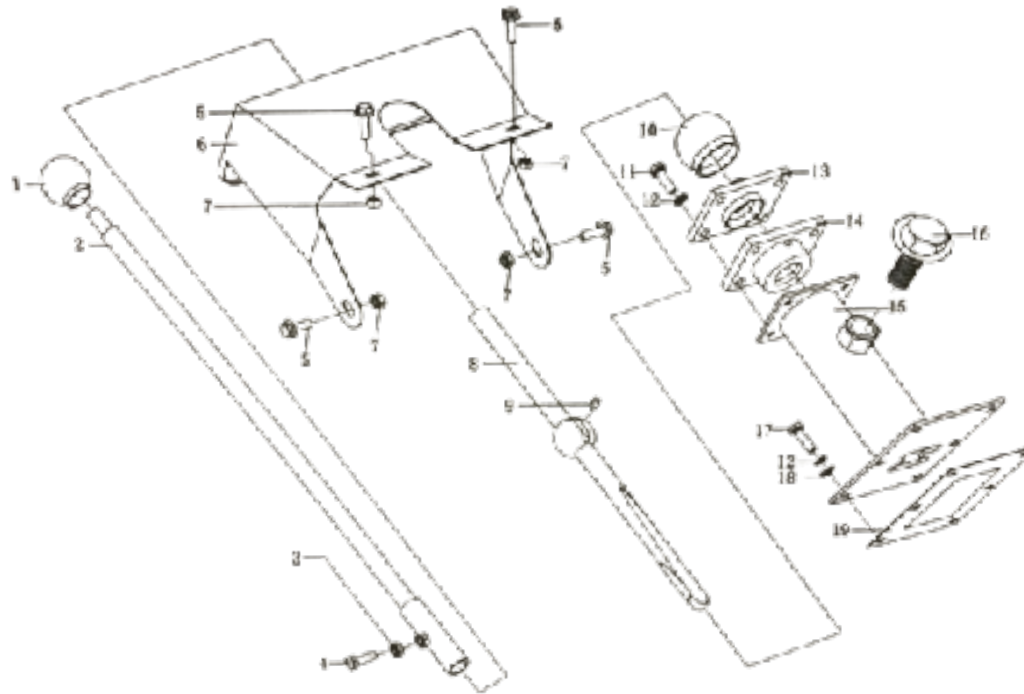
TRANSMISSION BOX ASSY - E



SL NO	Part No	Description	SL NO	Part No	Description
1	AM-GR-4G120-TE01	Bolt	17	AM-GR-4G120-TE17	Bearing
2	AM-GR-4G120-TE02	Washer	18	AM-GR-4G120-TE18	Input Shaft
3	AM-GR-4G120-TE03	Washer	19	AM-GR-4G120-TE19	Key
4	AM-GR-4G120-TE04	Reverse Gear Shift Fork Shaft	20	AM-GR-4G120-TE20	Bolt
5	AM-GR-4G120-TE05	Fork Spring	21	AM-GR-4G120-TE21	Nut
6	AM-GR-4G120-TE06	Steel Ball	22	AM-GR-4G120-TE22	Differential Bearing Base
7	AM-GR-4G120-TE07	Reverse Gear Shift Fork	23	AM-GR-4G120-TE23	Gasket B
8	AM-GR-4G120-TE08	Reverse Gear Shaft	24	AM-GR-4G120-TE24	Bearing
9	AM-GR-4G120-TE09	Reverse Gear	25	AM-GR-4G120-TE25	Press spring
10	AM-GR-4G120-TE10	Nut	26	AM-GR-4G120-TE26	Differential small gear
11	AM-GR-4G120-TE11	Lock Screw	27	AM-GR-4G120-TE27	C Spring
12	AM-GR-4G120-TE12	Input Sprocket	28	AM-GR-4G120-TE28	Differential big Gear
13	AM-GR-4G120-TE13	Bolt	29	AM-GR-4G120-TE29	Bearing lock sleeve
14	AM-GR-4G120-TE14	Input Shaft Bearing Base	30	AM-GR-4G120-TE30	Driving shaft
15	AM-GR-4G120-TE15	Gasket c	31	AM-GR-4G120-TE31	Key
16	AM-GR-4G120-TE16	Oil Seal	32	AM-GR-4G120-TE32	Bering

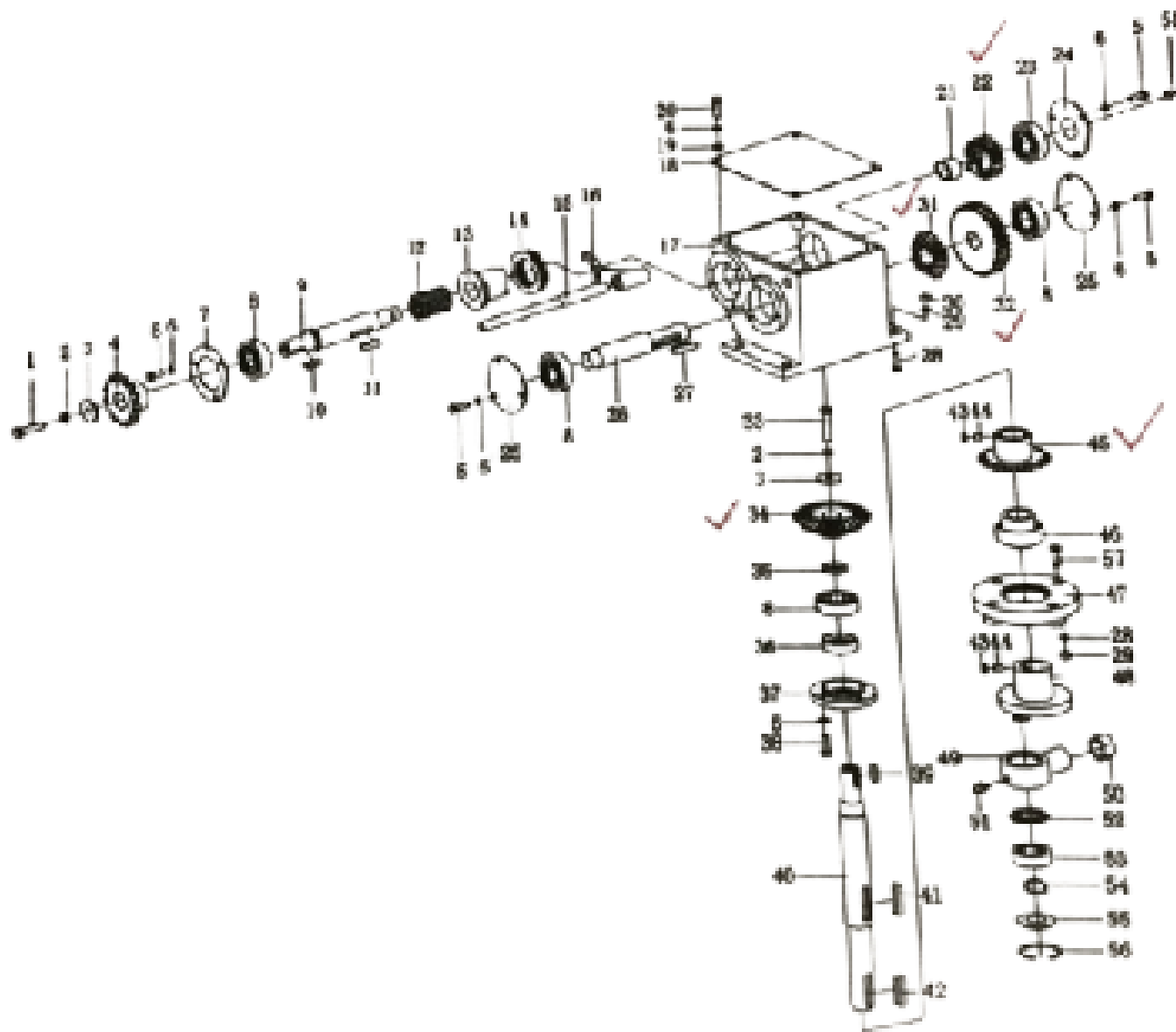
SL NO	Part No	Description	SL NO	Part No	Description
33	AM-GR-4G120-TE33	Driving Gear	52	AM-GR-4G120-TE52	Bolt
34	AM-GR-4G120-TE34	Bearing	53	AM-GR-4G120-TE53	Differential Drawing Plate
35	AM-GR-4G120-TE35	Bolt	54	AM-GR-4G120-TE54	Waher
36	AM-GR-4G120-TE36	Washer	55	AM-GR-4G120-TE55	Waher
37	AM-GR-4G120-TE37	Spacer	56	AM-GR-4G120-TE56	Nut
38	AM-GR-4G120-TE38	Flange	57	AM-GR-4G120-TE57	Differential shaft
39	AM-GR-4G120-TE39	Nut	58	AM-GR-4G120-TE58	Key
40	AM-GR-4G120-TE40	Spring Washer	59	AM-GR-4G120-TE59	Bolt
41	AM-GR-4G120-TE41	Washer	60	AM-GR-4G120-TE60	Nut
42	AM-GR-4G120-TE42	Bolt	61	AM-GR-4G120-TE61	Input Shaft Bering Base (L)
43	AM-GR-4G120-TE43	Driving Shaft Bearing Base	62	AM-GR-4G120-TE62	Dual Gear (1 Teech and 13 Teeth)
44	AM-GR-4G120-TE44	Gasket A	63	AM-GR-4G120-TE63	Forward Gear Shift Fork
45	AM-GR-4G120-TE45	Oil Seal	64	AM-GR-4G120-TE64	Forward Gear Shift Fork Shaft
46	AM-GR-4G120-TE46	Differential Shift fork Shaft	65	AM-GR-4G120-TE65	Bolt
47	AM-GR-4G120-TE47	"O" Ring	66	AM-GR-4G120-TE66	Upper Cover Plate
48	AM-GR-4G120-TE48	Gasket of Shift Fork Shaft lock Sleeve	67	AM-GR-4G120-TE67	Gasket of Upper Cover Plate
49	AM-GR-4G120-TE49	Shift Fork Shaft Lock Sleeve	68	AM-GR-4G120-TE68	Gear Box Body
50	AM-GR-4G120-TE50	Washer	69	AM-GR-4G120-TE69	Oil release Bolt
51	AM-GR-4G120-TE51	washer	70	AM-GR-4G120-TE70	Compound Washer

GEAR SHIFT LEVER ASSY - F



SL NO	Part No	Description	SL NO	Part No	Description
1	AM-GR-4G120-TF01	Bakelite Ball	11	AM-GR-4G120-TF11	Bolt
2	AM-GR-4G120-TF02	Shift Lever welding	12	AM-GR-4G120-TF12	Spring Washer
3	AM-GR-4G120-TF03	Nut	13	AM-GR-4G120-TF13	Ball Shell (Upper)
4	AM-GR-4G120-TF04	Bolt	14	AM-GR-4G120-TF14	Ball Shell (Lower)
5	AM-GR-4G120-TF05	Bolt	15	AM-GR-4G120-TF15	Shift Lever Holding Stand
6	AM-GR-4G120-TF06	F/R Gear Postion Plate	16	AM-GR-4G120-TF16	Screw Plug
7	AM-GR-4G120-TF07	Nut	17	AM-GR-4G120-TF17	Bolt
8	AM-GR-4G120-TF08	Gear Shift Lever	18	AM-GR-4G120-TF18	Washer
9	AM-GR-4G120-TF09	Position Pin	19	AM-GR-4G120-TF19	Gasket of Shift Lever Holding Stand
10	AM-GR-4G120-TF10	Dust Preventing Cover			

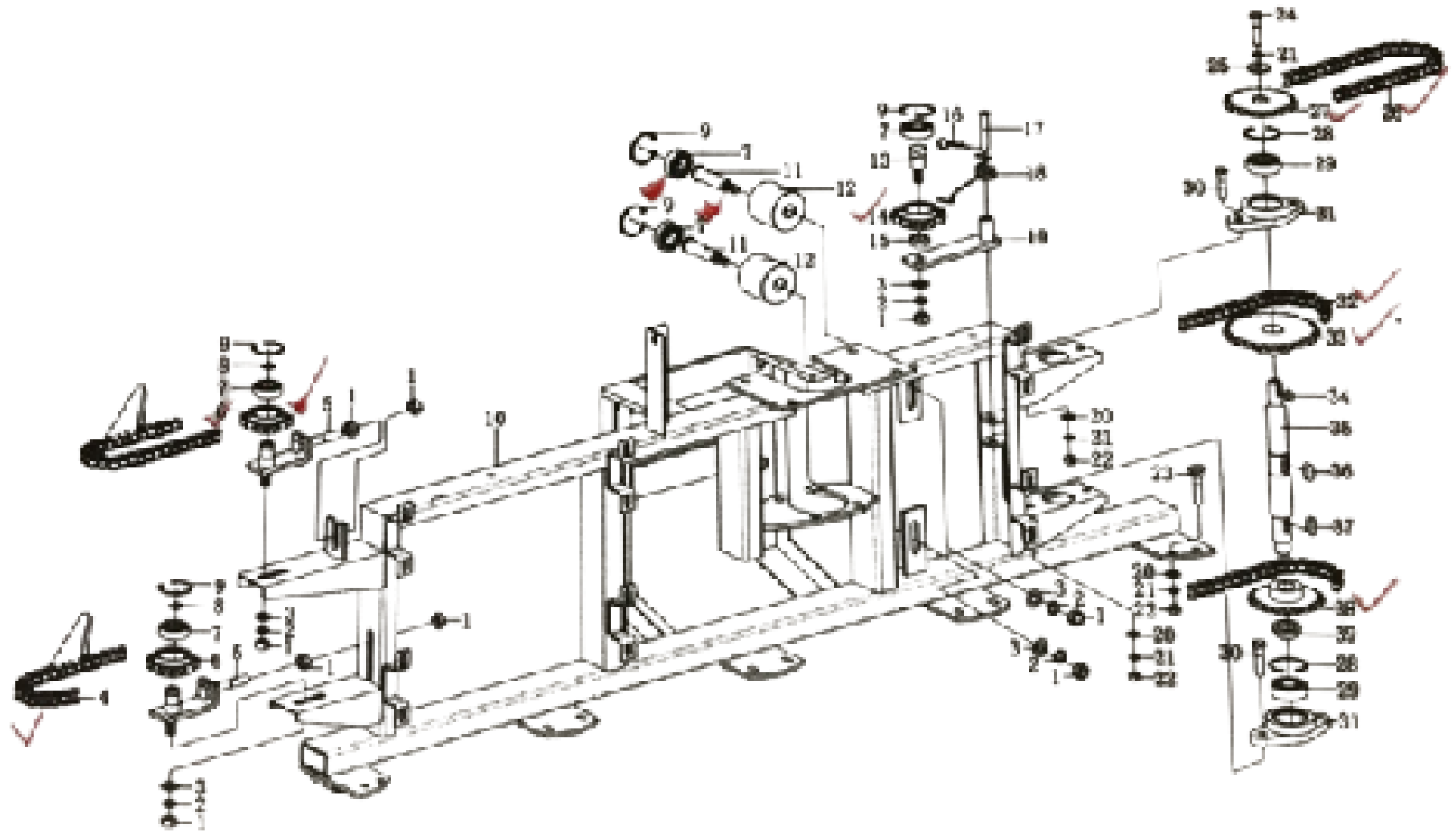
REAPER TRANSMISSION BOX ASSY - G



Sl no	PART NO	Description	Sl no	PART NO	Description
1	AM-GR-4G120-TG01	Bolt	17	AM-GR-4G120-TG17	Reaper Transmission box body
2	AM-GR-4G120-TG02	Washer	18	AM-GR-4G120-TG18	cover of Reaper Transmission box
3	AM-GR-4G120-TG03	Washer	19	AM-GR-4G120-TG19	Washer
4	AM-GR-4G120-TG04	Reaper Input Sporket (15 Teeth)	20	AM-GR-4G120-TG20	Bolt
5	AM-GR-4G120-TG05	Bolt	21	AM-GR-4G120-TG21	Oil Bearing
6	AM-GR-4G120-TG06	Waher	22	AM-GR-4G120-TG22	Combine Gear (18 Teeth)
7	AM-GR-4G120-TG07	End Cover (A)	23	AM-GR-4G120-TG23	Bearing
8	AM-GR-4G120-TG08	Bearing	24	AM-GR-4G120-TG24	End Cover (C)
9	AM-GR-4G120-TG09	Reaper Input Shaft	25	AM-GR-4G120-TG25	End Cover (B)
10	AM-GR-4G120-TG10	Key	26	AM-GR-4G120-TG26	Reaper Reversing Shaft
11	AM-GR-4G120-TG11	Key	27	AM-GR-4G120-TG27	Key
12	AM-GR-4G120-TG12	Spring	28	AM-GR-4G120-TG28	Bolt
13	AM-GR-4G120-TG13	Reaper Clutch Sleeve	29	AM-GR-4G120-TG29	Washer
14	AM-GR-4G120-TG14	Bearing	30	AM-GR-4G120-TG30	Nut
15	AM-GR-4G120-TG15	Shifting fork Shaft	31	AM-GR-4G120-TG31	Small Bevel Gear (17 Teeth)
16	AM-GR-4G120-TG16	Shifting fork	32	AM-GR-4G120-TG32	Gear (33 Teeth)

Sl no	PART NO	Description	Sl no	PART NO	Description
33	AM-GR-4G120-TG33	Bolt	49	AM-GR-4G120-TG49	Conneting Rod Head Welding [®]
34	AM-GR-4G120-TG34	Big Bevel Gear (28 Teeth)	50	AM-GR-4G120-TG50	Nut (right)
35	AM-GR-4G120-TG35	Spacer Ring	51	AM-GR-4G120-TG51	Oil cup
36	AM-GR-4G120-TG36	Oil Seal	52	AM-GR-4G120-TG52	Dust Preventing Cover (B)
37	AM-GR-4G120-TG37	Gland	53	AM-GR-4G120-TG53	Bearing
38	AM-GR-4G120-TG38	Bolt	54	AM-GR-4G120-TG54	Collar
39	AM-GR-4G120-TG39	Key	55	AM-GR-4G120-TG55	Dust Preventing Cover (A)
40	AM-GR-4G120-TG40	Reaper Output Shaft	56	AM-GR-4G120-TG56	Collar
41	AM-GR-4G120-TG41	Key	57	AM-GR-4G120-TG57	Box
42	AM-GR-4G120-TG42	Key			
43	AM-GR-4G120-TG43	Nut			
44	AM-GR-4G120-TG44	Lock Screw			
45	AM-GR-4G120-TG45	Reaper Output Sptocket (18 Teeth)			
46	AM-GR-4G120-TG46	Bearing			
47	AM-GR-4G120-TG47	Bearing Base			
48	AM-GR-4G120-TG48	Corner Shaft Sleeve			

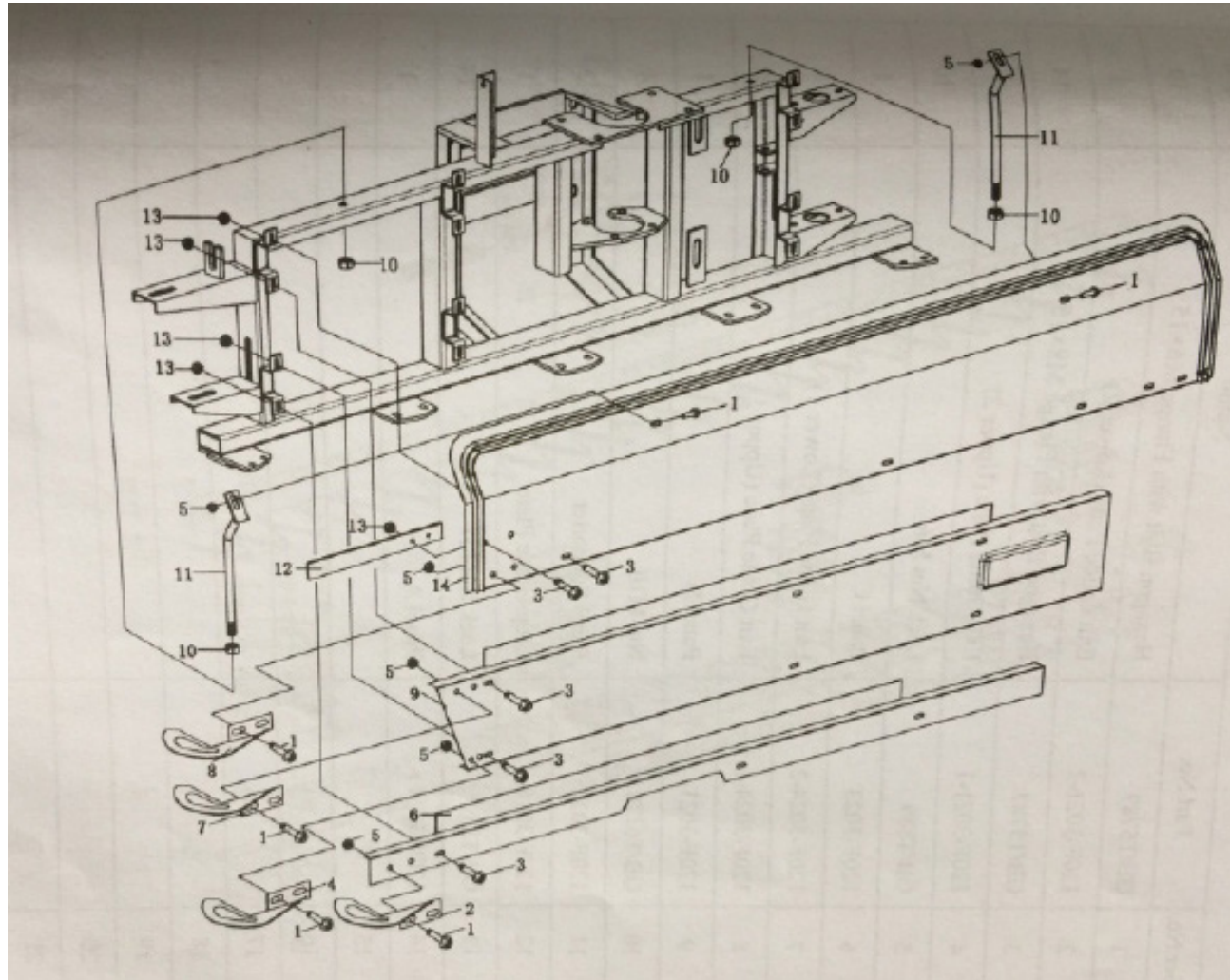
REAPER FRAME ASSY - H



Sl no	Part no	Description	Sl no	Part no	Description
1	AM-GR-4G120-TH01	Nut	17	AM-GR-4G120-TH17	Pin Shaft
2	AM-GR-4G120-TH02	Washer	18	AM-GR-4G120-TH18	Outer Arm Torsion Spring
3	AM-GR-4G120-TH03	Washer	19	AM-GR-4G120-TH19	Rocker Arm Welding
4	AM-GR-4G120-TH04	Convey Chain (Lowe, 19 Teeth)	20	AM-GR-4G120-TH20	Washer
5	AM-GR-4G120-TH05	Sprocker Supporting Plate	21	AM-GR-4G120-TH21	Washer
6	AM-GR-4G120-TH06	Tension Sprocket	22	AM-GR-4G120-TH22	nut
7	AM-GR-4G120-TH07	Closed Bearing	23	AM-GR-4G120-TH23	Carriage Bolt
8	AM-GR-4G120-TH08	Collar	24	AM-GR-4G120-TH24	Bolt
9	AM-GR-4G120-TH09	Collar	25	AM-GR-4G120-TH25	Washer
10	AM-GR-4G120-TH10	Reaper Frame	26	AM-GR-4G120-TH26	Convey Chain (Upper 20 Teeth)
11	AM-GR-4G120-TH11	Roller Shaft	27	AM-GR-4G120-TH27	Transmission Upper Sprocket (20 Teeth)
12	AM-GR-4G120-TH12	Convey Chain Supporting Roller	28	AM-GR-4G120-TH28	Collar
13	AM-GR-4G120-TH13	Tension Sprocket Shaft	29	AM-GR-4G120-TH29	Closed Bearing
14	AM-GR-4G120-TH14	Tension Spocket (14 Teeth)	30	AM-GR-4G120-TH30	Bolt
15	AM-GR-4G120-TH15	Space ring	31	AM-GR-4G120-TH31	Bearing Base
16	AM-GR-4G120-TH16	Split	32	AM-GR-4G120-TH32	Transmission Chain (77 Links)

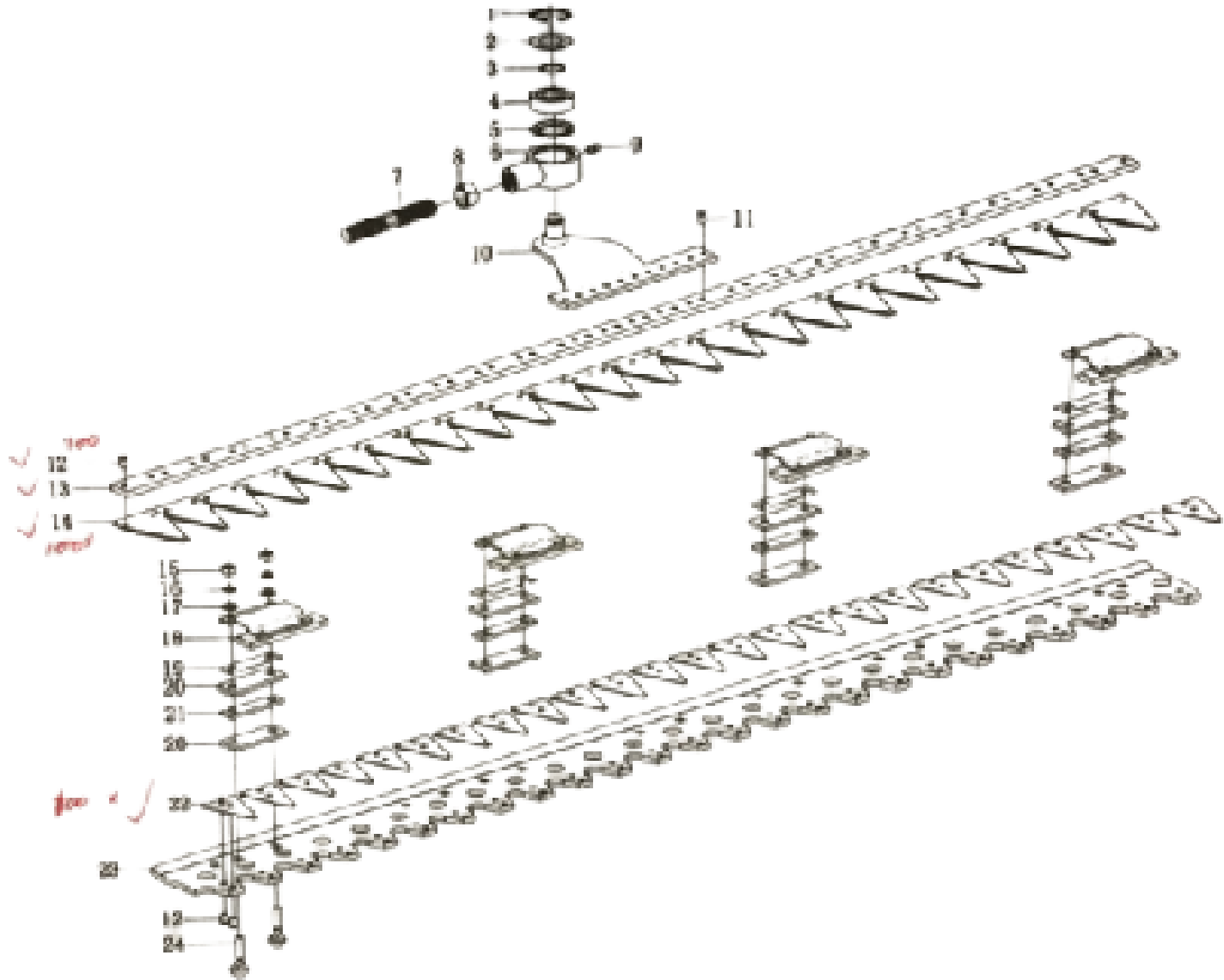
Sl no	Part no	Description
33	AM-GR-4G120-TH33	Transmission Sprocket (26 Links)
34	AM-GR-4G120-TH34	Key
35	AM-GR-4G120-TH35	Transmission Shaft
36	AM-GR-4G120-TH36	Key
37	AM-GR-4G120-TH37	Key
38	AM-GR-4G120-TH38	Transmission Lower Sprocket (20 Teeth)
39	AM-GR-4G120-TH39	Transmission Shaft Lower Spacer Ring

REAPER PANEL ASSY - J



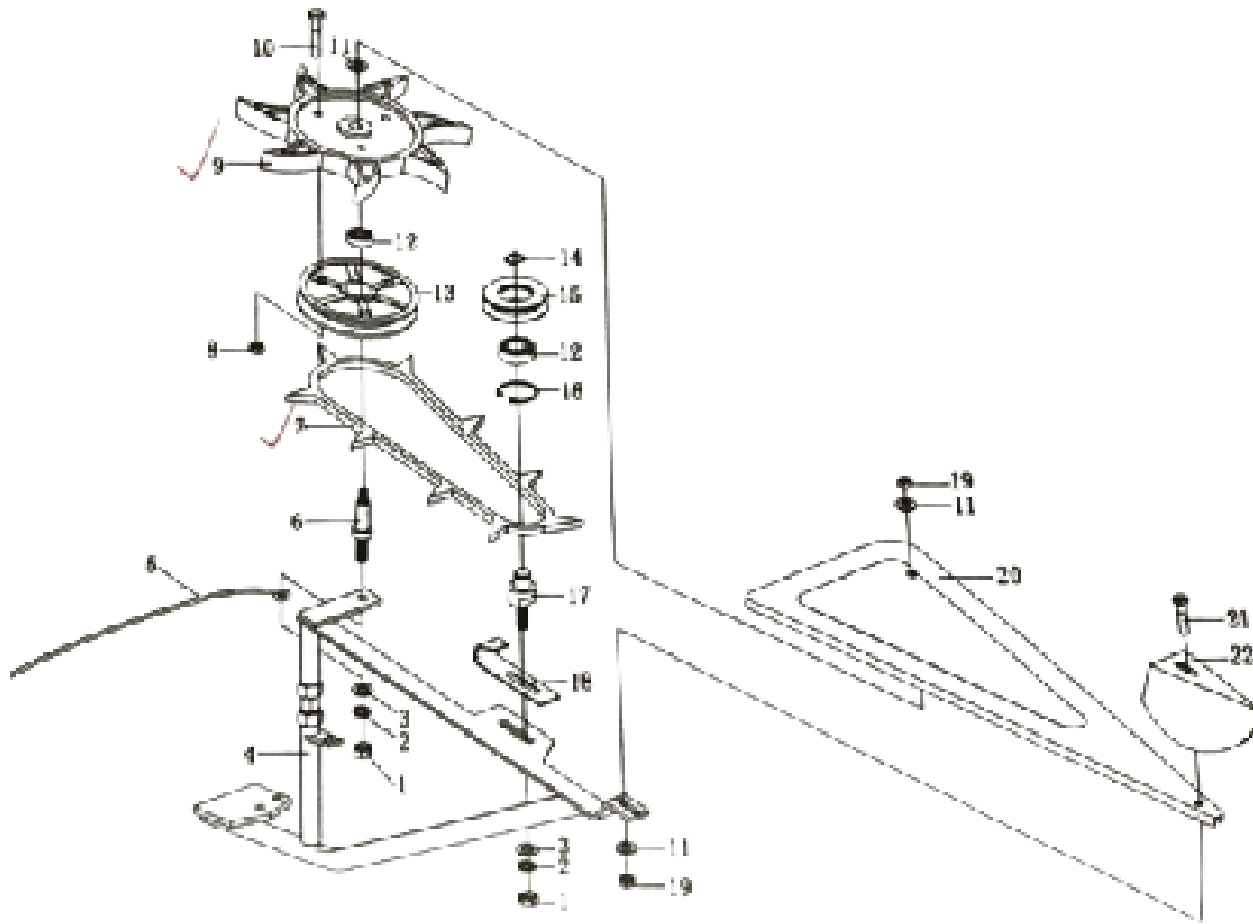
Sl no	Part No	Description
1	AM-GR-4G120-TJ01	Hexagon Bolt with Flange
2	AM-GR-4G120-TJ02	Exit Guide Plate (Lower 2)
3	AM-GR-4G120-TJ03	Hexagon Bolt with Flange
4	AM-GR-4G120-TJ04	Exit Guide Plate (Upper 2)
5	AM-GR-4G120-TJ05	Lock Nut
6	AM-GR-4G120-TJ06	Panel C
7	AM-GR-4G120-TJ07	Exit Guide Plate (Lower I)
8	AM-GR-4G120-TJ08	Exit Guide Plate (Upper I)
9	AM-GR-4G120-TJ09	Panel B
10	AM-GR-4G120-TJ10	
11	AM-GR-4G120-TJ11	Panel Supporter
12	AM-GR-4G120-TJ12	Crop Guide Plate
13	AM-GR-4G120-TJ13	lock Nut
14	AM-GR-4G120-TJ14	Panel A

CUTTER KNIFE ASSY - K



Sl no	Part No	Description	Sl no	Part No	Description
1	AM-GR-4G120-TK01	Collar	17	AM-GR-4G120-TK17	Washer
2	AM-GR-4G120-TK02	Dust Preventing Cover	18	AM-GR-4G120-TK18	Cutter Pressing Holder
3	AM-GR-4G120-TK03	Collar	19	AM-GR-4G120-TK19	Adjusting Shim
4	AM-GR-4G120-TK04	Bearing	20	AM-GR-4G120-TK20	Adjusting plate A
5	AM-GR-4G120-TK05	Dust Preventing Cover (B)	21	AM-GR-4G120-TK21	Adjusting plate B
6	AM-GR-4G120-TK06	Connecting Rod Head Welding (L)	22	AM-GR-4G120-TK22	Fixed Blade
7	AM-GR-4G120-TK07	Cnnecting Rod	23	AM-GR-4G120-TK23	Fixed Blade Base Bar
8	AM-GR-4G120-TK08	Nut (left)	24	AM-GR-4G120-TK24	Cup Head Square Neck bolt
9	AM-GR-4G120-TK09	Oil Cup	25	AM-GR-4G120-TK25	Cutter Assembly
10	AM-GR-4G120-TK10	Driving Plate	26	AM-GR-4G120-TK26	Fixed Blade Assy
11	AM-GR-4G120-TK11	Rivet	27	AM-GR-4G120-TK27	Moving Blade Assembly
12	AM-GR-4G120-TK12	Rivet			
13	AM-GR-4G120-TK13	Moving Blade Riveted Bar			
14	AM-GR-4G120-TK14	Moving Blade			
15	AM-GR-4G120-TK15	Nut			
16	AM-GR-4G120-TK16	Washer			

DIVIDER GUIDE ASSY I - L



23

24

26

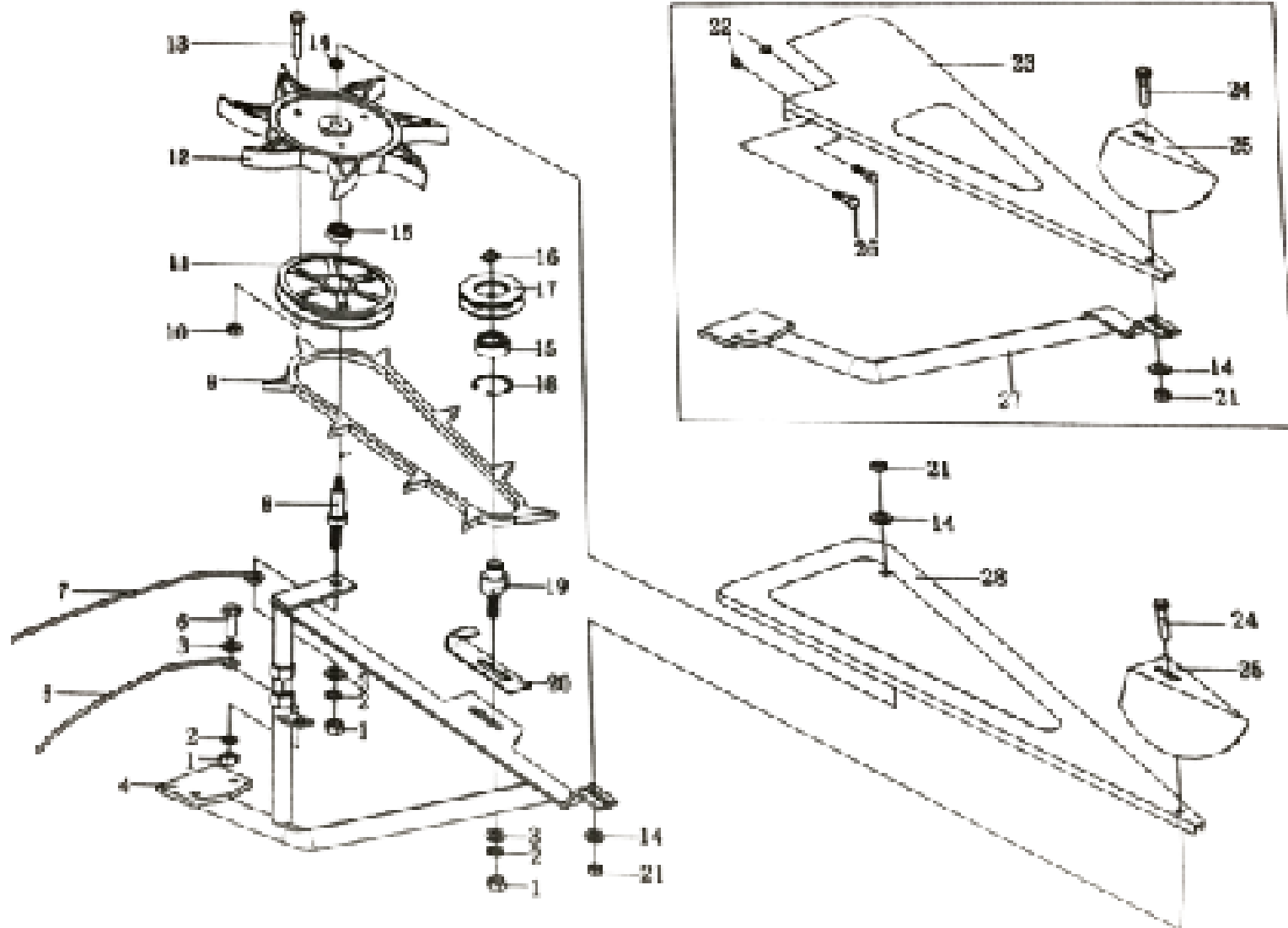
27

25



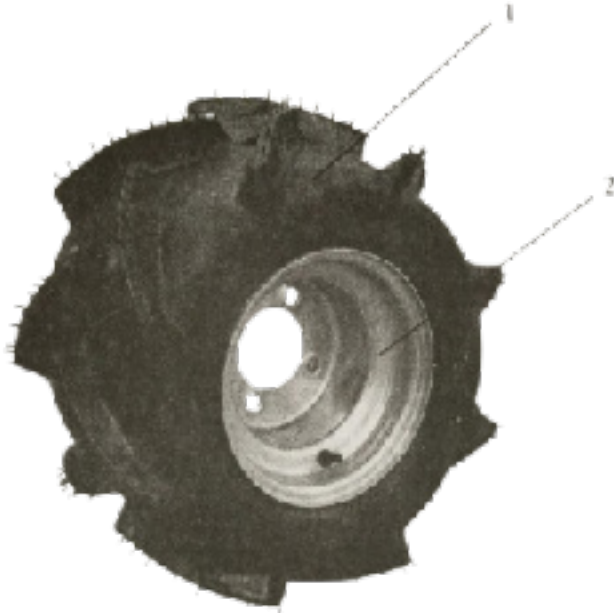
Sl no	Part No	Description	Sl no	Part No	Description
1	AM-GR-4G120-TL01	Nut	15	AM-GR-4G120-TL15	Crop Holding Belt Roller
2	AM-GR-4G120-TL02	Spring Washer	16	AM-GR-4G120-TL16	Collar
3	AM-GR-4G120-TL03	Washer	17	AM-GR-4G120-TL17	Tension Wheel Shaft
4	AM-GR-4G120-TL04	Bonnet Support Frame B	18	AM-GR-4G120-TL18	Straw Plate
5	AM-GR-4G120-TL05	Crop Guiding Spring	19	AM-GR-4G120-TL19	Nut
6	AM-GR-4G120-TL06	Star Wheel Shaft	20	AM-GR-4G120-TL20	Bonnet
7	AM-GR-4G120-TL07	Crop Holding Belt	21	AM-GR-4G120-TL21	Bolt
8	AM-GR-4G120-TL08	Nut	22	AM-GR-4G120-TL22	Bonnet Sheath
9	AM-GR-4G120-TL09	Crop Holding Star Wheel	23	AM-GR-4G120-TL23	Round Plate A
10	AM-GR-4G120-TL10	Bolt	24	AM-GR-4G120-TL24	Round Plate B
11	AM-GR-4G120-TL11	Washer	25	AM-GR-4G120-TL25	Fin Support Centre
12	AM-GR-4G120-TL12	Bearing	26	AM-GR-4G120-TL26	Fin Support Left
13	AM-GR-4G120-TL13	Crop Holding Belt Disc	27	AM-GR-4G120-TL27	Fin Support Right
14	AM-GR-4G120-TL14	Collar			

DIVIDER ASSY II - M



Sl no	Part No	Description	Sl no	Part No	Description
1	AM-GR-4G120-TM01	Nut	17	AM-GR-4G120-TM17	Crop Holding Belt Roller
2	AM-GR-4G120-TM02	Spring Washer	18	AM-GR-4G120-TM18	Collar
3	AM-GR-4G120-TM03	Washer	19	AM-GR-4G120-TM19	Tension Wheel Shaft
4	AM-GR-4G120-TM04	Bonnet Support Frame A	20	AM-GR-4G120-TM20	Straw Plate
5	AM-GR-4G120-TM05	Rod for Lower Guide	21	AM-GR-4G120-TM21	Nut
6	AM-GR-4G120-TM06	Bolt	22	AM-GR-4G120-TM22	Nut
7	AM-GR-4G120-TM07	Rod for upper Guide	23	AM-GR-4G120-TM23	Bonnet LH
8	AM-GR-4G120-TM08	Star Wheel Shaft	24	AM-GR-4G120-TM24	Bolt
9	AM-GR-4G120-TM09	Crop Holding Belt	25	AM-GR-4G120-TM25	Bonnet Sheath
10	AM-GR-4G120-TM10	Nut	26	AM-GR-4G120-TM26	Bolt
11	AM-GR-4G120-TM11	Crop Holding Belt Disc	27	AM-GR-4G120-TM27	Bonnet LH Support Frame
12	AM-GR-4G120-TM12	Crop Holding Star Wheel	28	AM-GR-4G120-TM28	Bonnet
13	AM-GR-4G120-TM13	Bolt			
14	AM-GR-4G120-TM14	Washer			
15	AM-GR-4G120-TM15	Bearing			
16	AM-GR-4G120-TM16	Collar			

DRIVING WHEEL ASSY - N



Sl no	Part No	Description
1	AM-GR-4G120-TN01	Tire
2	AM-GR-4G120-TN02	Hub
3	AM-GR-4G120-TN03	Tire and Hub (R) (figure)
4	AM-GR-4G120-TN04	Tire and Hub (L)

INSPECTION & MAINTAINANCE

For safety use, make sure the machine is cleaned every three months. Before working, make sure to inspect the filter and the nozzle and ensure there is no impurity. After working, make sure there is no water in the pump and the hose.

If the machine needs to be repaired in the guarantee period, please return the machine to the shop. You need to provide the certificate of purchase on order to repair or get the substitute.

Before packing, the machine should be cleaned, then use closed packaging, packaging should be firm. Store the machine in dry place.

For transportation safety. The machine should comply with ISTA.






Do not dispose of electrical machines as unsorted municipal waste, use separate collection facilities.

If electrical machines are disposed of in landfills or dumps, hazardous substances can leak into the ground water and get into the food chain, damaging your health and well being.

When replacing old machines with new ones, the retailer is legally obligated to take back your old machine for disposals at least free of charge.

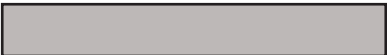




WARRANTY CARD

CUSTOMER COPY

DATE _____	DATE OF DELIVERY _____	DEALERS OFFICIAL SEAL	DEALERS SIGN _____
PURCHASERS NAME & ADDRESS _____ _____	 CUSTOMER SIGN		
PRODUCT NAME	PRODUCT SERIAL NO.	INVOICE/DN NO.	
			






I/Will accept the terms and conditions of warranty as in the warranty card

DEALERS COPY

DATE _____	DATE OF DELIVERY _____	DEALERS OFFICIAL SEAL	DEALERS SIGN _____
PURCHASERS NAME & ADDRESS _____ _____	 CUSTOMER SIGN		
PRODUCT NAME	PRODUCT SERIAL NO.	INVOICE/DN NO.	
			

I/Will accept the terms and conditions of warranty as in the warranty card

COMPANY COPY

DATE _____	DATE OF DELIVERY _____	DEALERS OFFICIAL SEAL	DEALERS SIGN _____
PURCHASERS NAME & ADDRESS _____ _____	 CUSTOMER SIGN		
PRODUCT NAME	PRODUCT SERIAL NO.	INVOICE/DN NO.	
			

I/Will accept the terms and conditions of warranty as in the warranty card

1. LIMITED WARRANTY PERIOD : For a period of six months from the date of Sale / delivery of the product which ever is earlier. 2. LIMITED WARRANTY OBLIGATION : Replacement of defective part(s) by authorized dealer are free of charges. If found defective by reasons of defective material / poor workmanship, parts will be replaced and there will be no value re-imbusement. 3. TERMS & CONDITIONS : a. Claims under warranty will be accepted on submission of Warranty Card duly filled and stamped by authorized dealer together with the original purchase document. : b. Shipping / transportation / Incidental charges incurred in replacing defective parts under warranty shall be borne by the purchaser

WARRANTY null & void if

- (i) Lack of maintenance, (ii) Incorrect use of the machine or tampering, (iii) Use of non-genuine spare parts, (iv) Usage of acids, solvents, or any flammable materials, (v) Non-usage of filter water / clear water / soft water & using water above 40°C temperature, (vi) While using the pressure washers to draw water which is contaminated with dust & solvents (eg. paint thinners, gasoline, oil, etc.), (vii) Repair done by unauthorized service people, (viii) Those parts subject to wear & tear due to normal operations and plastic parts, rubber items etc, (ix) Loose connections, faulty electrical fixtures & fluctuations in power supply.
- 4. Should any failure occur during or after the warranty period, customer does not have the right to interrupt payment / price discount.
- 5. Incidental or consequential damages like inconvenience commercial loss, loss of tie, mental agony etc.
- 6. Loss of any nature due to operation or non-operation is not covered under warranty.
- 7. All free service are at Dealer's service point only.
- 8. Warranty ceases if service is not done periodically.
- 9. The attached card should be completed and returned to Ratnagiri Impex Pvt. Ltd. for registration immediately after sale / delivery.
- 10. The warranty is void unless you register the warranty card with Ratnagiri Impex Pvt. Ltd.
- 11. The decision of Ratnagiri Impex Pvt. Ltd., in settling the warranty is final in all respects.
- 12. All disputes are subject to Bangalore Courts Jurisdiction

1. LIMITED WARRANTY PERIOD : For a period of six months from the date of Sale / delivery of the product which ever is earlier. 2. LIMITED WARRANTY OBLIGATION : Replacement of defective part(s) by authorized dealer are free of charges. If found defective by reasons of defective material / poor workmanship, parts will be replaced and there will be no value re-imbusement. 3. TERMS & CONDITIONS : a. Claims under warranty will be accepted on submission of Warranty Card duly filled and stamped by authorized dealer together with the original purchase document. : b. Shipping / transportation / Incidental charges incurred in replacing defective parts under warranty shall be borne by the purchaser.

WARRANTY null & void if

- (i) Lack of maintenance, (ii) Incorrect use of the machine or tampering, (iii) Use of non-genuine spare parts, (iv) Usage of acids, solvents, or any flammable materials, (v) Non-usage of filter water / clear water / soft water & using water above 40°C temperature, (vi) While using the pressure washers to draw water which is contaminated with dust & solvents (eg. paint thinners, gasoline, oil, etc.), (vii) Repair done by unauthorized service people, (viii) Those parts subject to wear & tear due to normal operations and plastic parts, rubber items etc, (ix) Loose connections, faulty electrical fixtures & fluctuations in power supply.
- 4. Should any failure occur during or after the warranty period, customer does not have the right to interrupt payment / price discount.
- 5. Incidental or consequential damages like inconvenience commercial loss, loss of tie, mental agony etc.
- 6. Loss of any nature due to operation or non-operation is not covered under warranty.
- 7. All free service are at Dealer's service point only.
- 8. Warranty ceases if service is not done periodically.
- 9. The attached card should be completed and returned to Ratnagiri Impex Pvt. Ltd. for registration immediately after sale / delivery.
- 10. The warranty is void unless you register the warranty card with Ratnagiri Impex Pvt. Ltd.
- 11. The decision of Ratnagiri Impex Pvt. Ltd., in settling the warranty is final in all respects.
- 12. All disputes are subject to Bangalore Courts Jurisdiction

1. LIMITED WARRANTY PERIOD : For a period of six months from the date of Sale / delivery of the product which ever is earlier. 2. LIMITED WARRANTY OBLIGATION : Replacement of defective part(s) by authorized dealer are free of charges. If found defective by reasons of defective material / poor workmanship, parts will be replaced and there will be no value re-imbusement. 3. TERMS & CONDITIONS : a. Claims under warranty will be accepted on submission of Warranty Card duly filled and stamped by authorized dealer together with the original purchase document. : b. Shipping / transportation / Incidental charges incurred in replacing defective parts under warranty shall be borne by the purchaser.

WARRANTY null & void if

- (i) Lack of maintenance, (ii) Incorrect use of the machine or tampering, (iii) Use of non-genuine spare parts, (iv) Usage of acids, solvents, or any flammable materials, (v) Non-usage of filter water / clear water / soft water & using water above 40°C temperature, (vi) While using the pressure washers to draw water which is contaminated with dust & solvents (eg. paint thinners, gasoline, oil, etc.), (vii) Repair done by unauthorized service people, (viii) Those parts subject to wear & tear due to normal operations and plastic parts, rubber items etc, (ix) Loose connections, faulty electrical fixtures & fluctuations in power supply.
- 4. Should any failure occur during or after the warranty period, customer does not have the right to interrupt payment / price discount.
- 5. Incidental or consequential damages like inconvenience commercial loss, loss of tie, mental agony etc.
- 6. Loss of any nature due to operation or non-operation is not covered under warranty.
- 7. All free service are at Dealer's service point only.
- 8. Warranty ceases if service is not done periodically.
- 9. The attached card should be completed and returned to Ratnagiri Impex Pvt. Ltd. for registration immediately after sale / delivery.
- 10. The warranty is void unless you register the warranty card with Ratnagiri Impex Pvt. Ltd.
- 11. The decision of Ratnagiri Impex Pvt. Ltd., in settling the warranty is final in all respects.
- 12. All disputes are subject to Bangalore Courts Jurisdiction



FREE SERVICE COUPON (30DAYS/30HRS. WHICHEVER IS EARLIER)

MODEL

SERIAL NUMBER

PDI DATE

SERVICE NO.

PURCHASE BILL NO.

DATE

DEALERS OFFICE SEAL

- 1. Check and test the fuel mixture
- 3. Check , clean and adjust the spark plug
- 5. Check and sparken the cutting tools
- 7. Start and check the noise, vibration, loosen etc..

OPERATIONS

- 2. check and clean the air filter
- 4. Check and adjust the carburetor tuning
- 6. Product familirisation on usage
- 8. Routine maintenance and shortage.

FREE SERVICE COUPON (30DAYS/30HRS. WHICHEVER IS EARLIER)

MODEL

SERIAL NUMBER

PDI DATE

SERVICE NO.

PURCHASE BILL NO.

DATE

DEALERS OFFICE SEAL

- 1. Check and test the fuel mixture
- 3. Check , clean and adjust the spark plug
- 5. Check and sparken the cutting tools
- 7. Start and check the noise, vibration, loosen etc..

OPERATIONS

- 2. check and clean the air filter
- 4. Check and adjust the carburetor tuning
- 6. Product familirisation on usage
- 8. Routine maintenance and shortage.

FREE SERVICE COUPON (30DAYS/30HRS. WHICHEVER IS EARLIER)

MODEL

SERIAL NUMBER

PDI DATE

SERVICE NO.

PURCHASE BILL NO.

DATE

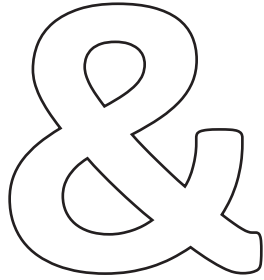
DEALERS OFFICE SEAL

- 1. Check and test the fuel mixture
- 3. Check , clean and adjust the spark plug
- 5. Check and sparken the cutting tools
- 7. Start and check the noise, vibration, loosen etc..

OPERATIONS

- 2. check and clean the air filter
- 4. Check and adjust the carburetor tuning
- 6. Product familirisation on usage
- 8. Routine maintenance and shortage.

DOS

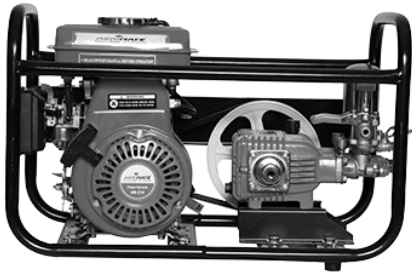
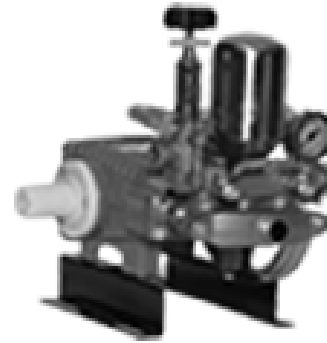


DONT'S

1. Always read the instruction manual supplied along with the equipments and understand the correct installation and operating procedures before attempting to use the equipments.
2. It is important to use the personal protection equipments such as head helmet with visor, ear defenders, goggles, safety gloves, cut resistant shoes, trousers and jackets while operating potentially dangerous machines
3. Avoid untrained persons using the equipments. Children must not be allowed to handle these equipments
4. Always use genuine spares and accessories in repairs and usage to derive maximum life of the equipments.
5. Always keep the equipments in good working condition to minimize loss of output as well as to reduce the pollution and save the environment
6. Do not use the machine within range of persons unless they wear protective clothing
7. Do not operate the machine when fatigued or under the influence of alcohol or drugs
8. When the machine is running, please maintain a constant water supply. Without water circulation will damage the sealing rings of the machine.
9. For more query kindly contact for our Service Center/Dealer/ franchise

Agrimate Army For Pest Control

ANY WHERE - ANY TIME - ANY CROP



Marketed by:
**ratnagiri
impex**
BRINGING YOU THE FUTURE... NOW

IMPORTED & MARKETED BY,
RATNAGIRI IMPEX PVT., LTD.,

Annapurna House, #1 / 1G, 7th Cross, New
Guddadahalli Mysore Road, Bangalore - 560 026

Missed Call : 7393 938 938 Email: ask@agrimart.in