

## INTERCULTIVATOR/POWER WEEDER

AM-MPT-1100-9D/6D-CHAMPION NEW

### TRANSMISSION PART DIAGRAM

MANUAL START

ELECTRIC START



# INTRODUCTION

Please pursue the contents in the instructions manual prior to using this machine, correctly carried out installation and debugging, as well as use it strictly according to the working specifications in the instruction manual. The user should be familiar with the safety notices, machine performance and maintenance, etc. The instruction manual will be used in the later use, repair, accessories replacement, and accessories procurement, so please keep it carefully.

## OPERATING INSTRUCTION

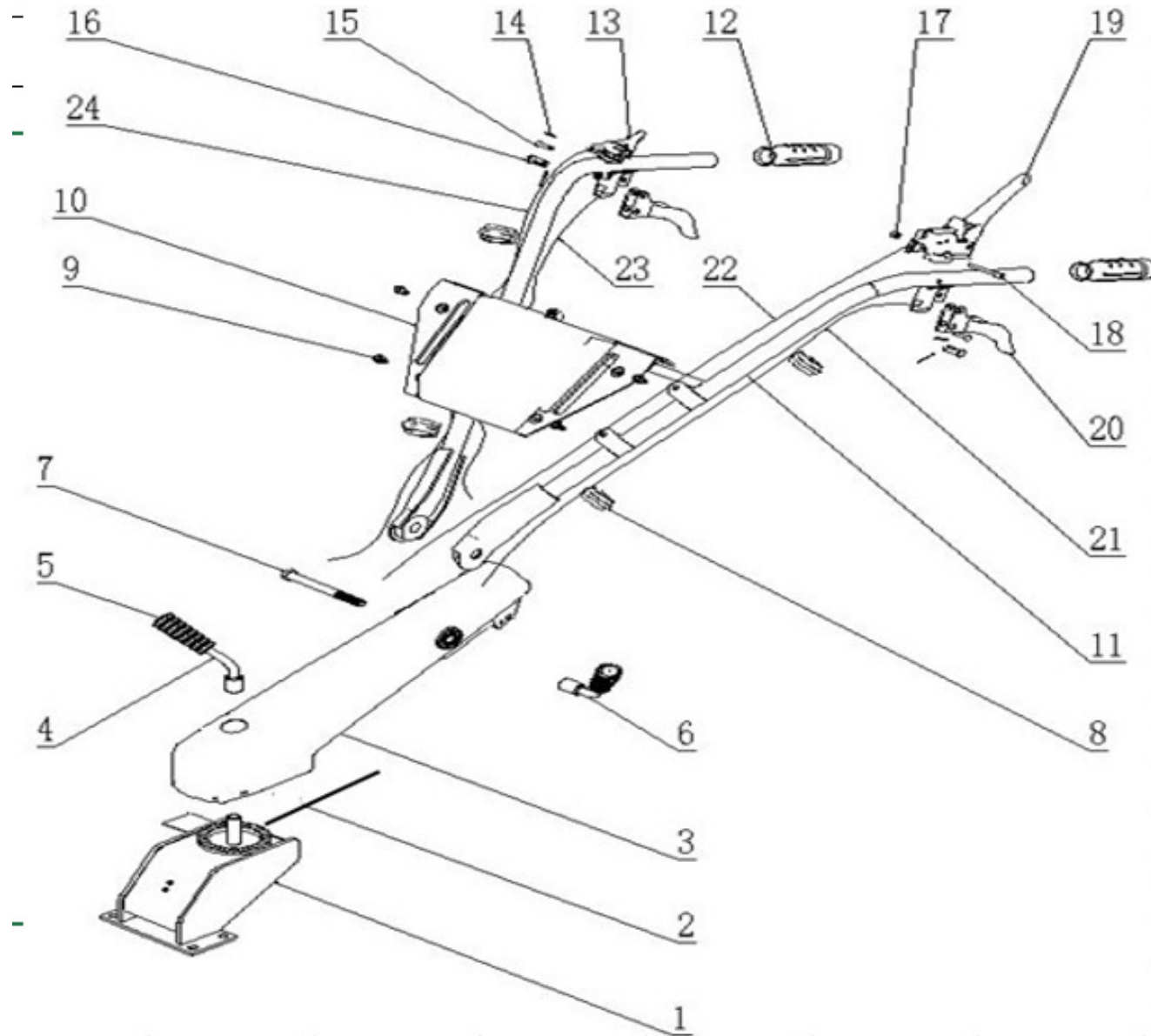
1. Securely mount the machine on the frame, ensure the two belt pulleys be parallel and on the same plane, and the tension of belt be moderate.
2. Add 30~ 40# machine oil up to 1/2 of oil gauge plug
3. The connectors of each rubber pipe and high pressure pipe must be locked tightly.
4. Before start the motor, open the jet gun and ball cock and loosen the adjusting screw
5. Start the motor, keeping it at appropriate velocity, waiting there is water ejecting from the jet gun, close the jet gun or ball cock, and adjust screw to let the pressure reach the working pressure.
6. Turn on the ball cock and jet gun, beginning spraying. During the process may properly adjust the adjusting screw to maintain the required pressure and lock tightly the fly nut at any moment.
7. After spraying, operate the sprayer with clean water for 2~3 minutes to clean the residual interior chemicals.
8. Firstly dismantle the suction hose, waiting there is no water flowing out from the jet gun or the overflow hose, stop the machine and dismantle overflow hose, high pressure pipe and loosen the adjusting screw.

# TECHNICAL SPECIFICATIONS

Model	AM-MPTC-1100-9D/6D-CHAMPION NEW
Engine	AM-186FA DIESEL/178F
Starting	MANUAL
Displacement	418CC/296CC
Fuel Tank Capacity	5.5LTR./3.5LTR
Driving Model	GEAR TRANSMISSION
Oil Capacity in Gear box	2.2LTR./
Gears	2 FORWARD,1 REVERSE2.2LTR
Tilling Width	1350MM/1050MM
Tilling Depth	≥150MM
Net Weight	162 KG/128KG

# TRANSMISSION DIAGRAM & PART LIST OF 6D & 9D INTERCULTIVATOR/POWER WEEDER

## ARMREST ASSY - A

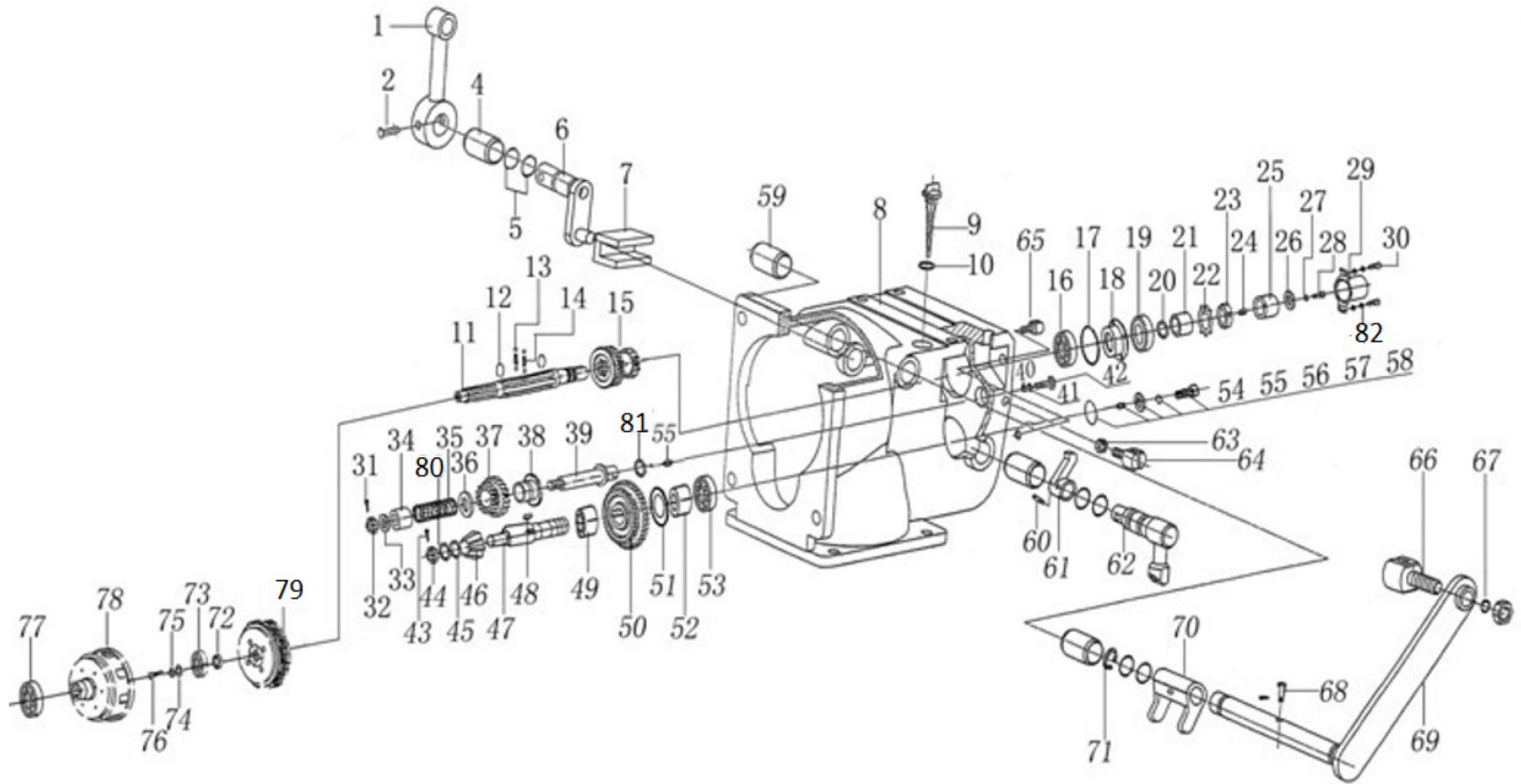


# TRANSMISSION DIAGRAM & PART LIST OF 6D & 9D INTERCULTIVATOR/POWER WEEDER

SL NO	PART NO	DESCRIPTION	SL NO	PART NO	DESCRIPTION
1	AM-MPT-1100-9DM-TA01	Handle Seat	17	AM-MPT-1100-9DM-TA17	Screw
2	AM-MPT-1100-9DM-TA02	Gear Shifting Level	18	AM-MPT-1100-9DM-TA18	Nut
3	AM-MPT-1100-9DM-TA03	Handle Middle Part	19	AM-MPT-1100-9DM-TA19	Shut Down Bar
4	AM-MPT-1100-9DM-TA04	Locking Bar	20	AM-MPT-1100-9DM-TA20	Clutch Handle
5	AM-MPT-1100-9DM-TA05	Locking Bar Cover	21	AM-MPT-1100-9DM-TA21	Clutch Cable
6	AM-MPT-1100-9DM-TA06	Locking Bar	22	AM-MPT-1100-9DM-TA22	Shut Down Cable
7	AM-MPT-1100-9DM-TA07	Bolt	23	AM-MPT-1100-9DM-TA23	Reverse Cable
8	AM-MPT-1100-9DM-TA08	Cable Holder	24	AM-MPT-1100-9DM-TA24	Fuel Cable
9	AM-MPT-1100-9DM-TA09	Hex Bolt	25		
10	AM-MPT-1100-9DM-TA10	Tool Box	26		
11	AM-MPT-1100-9DM-TA11	Handle Bar	27		
12	AM-MPT-1100-9DM-TA12	Grip	28		
13	AM-MPT-1100-9DM-TA13	Fuel Switch	29		
14	AM-MPT-1100-9DM-TA14	Split Pin	30		
15	AM-MPT-1100-9DM-TA15	Calble Connector	31		
16	AM-MPT-1100-9DM-TA16	Pin	32		

# TRANSMISSION DIAGRAM & PART LIST OF 6D & 9D INTERCULTIVATOR/POWER WEEDER

## TRANSMISSION PARTS - B



# TRANSMISSION DIAGRAM & PART LIST OF 6D & 9D INTERCULTIVATOR/POWER WEEDER

SL NO	PART NO	DESCRIPTION	SL NO	PART NO	DESCRIPTION
1	AM-MPT-1100-9DM-TB01	Shift Arm	17	AM-MPT-1100-9DM-TB17	Mainshaft Gland
2	AM-MPT-1100-9DM-TB02	Hexagon Bolt	18	AM-MPT-1100-9DM-TB18	Oil Seal
3	AM-MPT-1100-9DM-TB03	Shift Bush	19	AM-MPT-1100-9DM-TB19	O Ring
4	AM-MPT-1100-9DM-TB04	O Ring Seals	20	AM-MPT-1100-9DM-TB20	Spindle Bush
5	AM-MPT-1100-9DM-TB05	Shifting Fork	21	AM-MPT-1100-9DM-TB21	Washer
6	AM-MPT-1100-9DM-TB06	Shifting Fork Block	22	AM-MPT-1100-9DM-TB22	Round Nut
7	AM-MPT-1100-9DM-TB07	Gear Box	23	AM-MPT-1100-9DM-TB23	Flat Key
8	AM-MPT-1100-9DM-TB08	Oil Dipstick	24	AM-MPT-1100-9DM-TB24	Spindle Flat Key
9	AM-MPT-1100-9DM-TB09	Oil Dipstick O Ring	25	AM-MPT-1100-9DM-TB25	Flat Washer
10	AM-MPT-1100-9DM-TB10	Spindle	26	AM-MPT-1100-9DM-TB26	Spring Washer
11	AM-MPT-1100-9DM-TB11	Steel Ring	27	AM-MPT-1100-9DM-TB27	Hexagon Bolt
12	AM-MPT-1100-9DM-TB12	Steel Ball	28	AM-MPT-1100-9DM-TB28	Spindle Protective Cover
13	AM-MPT-1100-9DM-TB13	Locating Spring	29	AM-MPT-1100-9DM-TB29	Hexagonal Bolt
14	AM-MPT-1100-9DM-TB14	Spindle Double Gear	30	AM-MPT-1100-9DM-TB30	Split Pin
15	AM-MPT-1100-9DM-TB15	Bearing	31	AM-MPT-1100-9DM-TB31	Hexagon Slotted Nut
16	AM-MPT-1100-9DM-TB16	O Ring	32	AM-MPT-1100-9DM-TB32	Flat Washer

# TRANSMISSION DIAGRAM & PART LIST OF 6D & 9D INTERCULTIVATOR/POWER WEEDER

SL NO	PART NO	DESCRIPTION	SL NO	PART NO	DESCRIPTION
33	AM-MPT-1100-9DM-TB33	Reverse Gear Limit Bush	49	AM-MPT-1100-9DM-TB49	Countershaft Adjustable Washer
34	AM-MPT-1100-9DM-TB34	Reverse Spring	50	AM-MPT-1100-9DM-TB50	Countershaft Adjustable Washer
35	AM-MPT-1100-9DM-TB35	Reverse Spring	51	AM-MPT-1100-9DM-TB51	Countershaft Adjustable Washer
36	AM-MPT-1100-9DM-TB36	Reverse Gear Dual Gear	52	AM-MPT-1100-9DM-TB52	Countershaft Sleeve
37	AM-MPT-1100-9DM-TB37	Reverse Gear Plate	53	AM-MPT-1100-9DM-TB53	Bearing
38	AM-MPT-1100-9DM-TB38	Reverse Gear Shaft	54	AM-MPT-1100-9DM-TB54	O Ring
39	AM-MPT-1100-9DM-TB39	Flat Washer	55	AM-MPT-1100-9DM-TB55	Round Pin
40	AM-MPT-1100-9DM-TB40	Spring Washer	56	AM-MPT-1100-9DM-TB56	Flat Washer
41	AM-MPT-1100-9DM-TB41	Bolt	57	AM-MPT-1100-9DM-TB57	Spring Washer
42	AM-MPT-1100-9DM-TB42	Cotter Pin	58	AM-MPT-1100-9DM-TB58	Hexagonal Bolt
43	AM-MPT-1100-9DM-TB43	Hexagon Slotted Nuts	59	AM-MPT-1100-9DM-TB59	Reverse Gear Shaft Bushing
44	AM-MPT-1100-9DM-TB44	Axle Drive Bevel Pinion	60	AM-MPT-1100-9DM-TB60	Threaded Pin
45	AM-MPT-1100-9DM-TB45	Countershaft Assy	61	AM-MPT-1100-9DM-TB61	Reverse Gear Shifting Fork
46	AM-MPT-1100-9DM-TB46	Key	62	AM-MPT-1100-9DM-TB62	Reverse Gear Shifting Fork Shaft
47	AM-MPT-1100-9DM-TB47	Bearing	63	AM-MPT-1100-9DM-TB63	Bolt
48	AM-MPT-1100-9DM-TB48	Countershaft Gear Dual Gear	64	AM-MPT-1100-9DM-TB64	Reverse Cable Seat

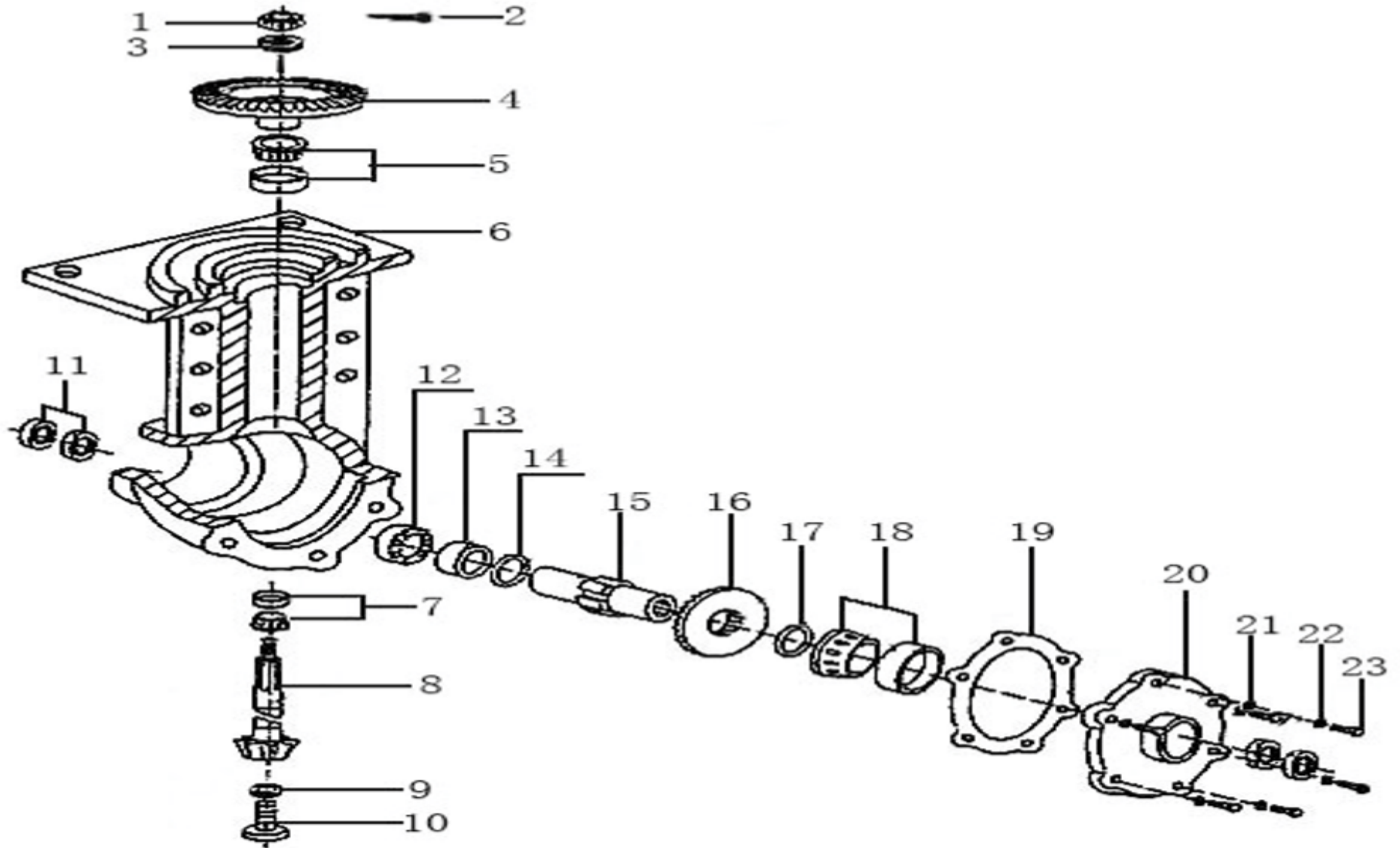


# TRANSMISSION DIAGRAM & PART LIST OF 6D & 9D INTERCULTIVATOR/POWER WEEDER

SL NO	PART NO	DESCRIPTION	SL NO	PART NO	DESCRIPTION
65	AM-MPT-1100-9DM-TB65	Clutch Cable Seat	81	AM-MPT-1100-9DM-TB81	O Ring
66	AM-MPT-1100-9DM-TB66	Clutch Cable Seat	82	AM-MPT-1100-9DM-TB82	Flat Washer
67	AM-MPT-1100-9DM-TB67	Spring Washer			
68	AM-MPT-1100-9DM-TB68	Clutch Fork Pin			
69	AM-MPT-1100-9DM-TB69	Clutch Fork Shaft			
70	AM-MPT-1100-9DM-TB70	Clutch Fork			
71	AM-MPT-1100-9DM-TB71	Washer			
72	AM-MPT-1100-9DM-TB72	Clutch Flat Washer			
73	AM-MPT-1100-9DM-TB73	Deep Groove Ball Bearing			
74	AM-MPT-1100-9DM-TB74	Washer			
75	AM-MPT-1100-9DM-TB75	Locking Washer			
76	AM-MPT-1100-9DM-TB76	Hexagonal Bolt			
77	AM-MPT-1100-9DM-TB77	Deep Groove Ball Bearing			
78	AM-MPT-1100-9DM-TB78	Clutch Cover Assy			
79	AM-MPT-1100-9DM-TB79	Clutch Core Assy			
80	AM-MPT-1100-9DM-TB80	Driving Bevel Gear Washer			

# TRANSMISSION DIAGRAM & PART LIST OF 6D & 9D INTERCULTIVATOR/POWER WEEDER

## WALKING BOX- C

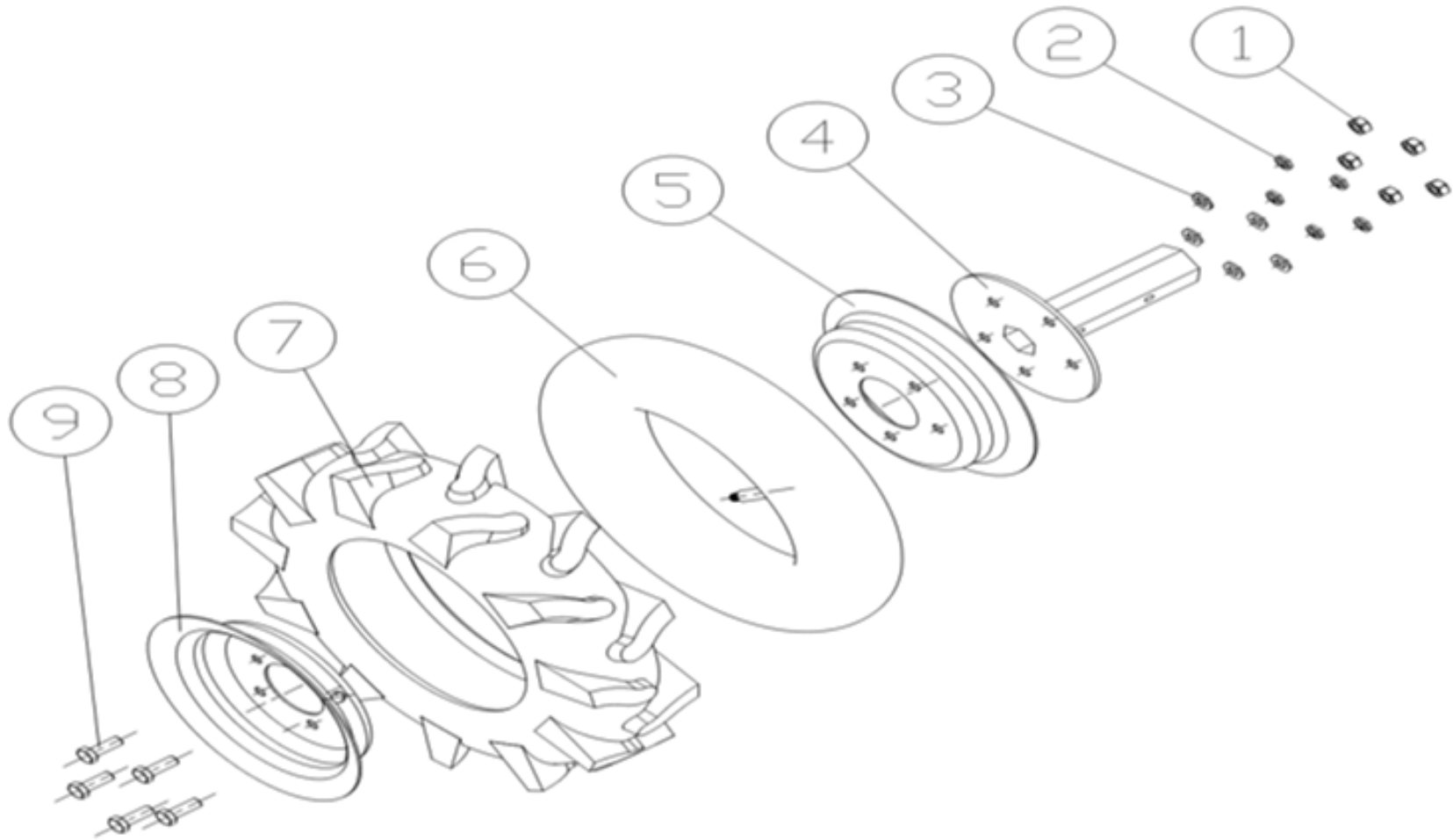


# TRANSMISSION DIAGRAM & PART LIST OF 6D& 9D INTERCULTIVATOR/POWER WEEDER

SL NO	PART NO	DESCRIPTION	SL NO	PART NO	DESCRIPTION
1	AM-MPT-1100-9DM-TC01	Nut	17	AM-MPT-1100-9DM-TC17	adjusting washer
2	AM-MPT-1100-9DM-TC02	Split pin	18	AM-MPT-1100-9DM-TC18	Tapered Roller Bearing
3	AM-MPT-1100-9DM-TC03	Spring washer	19	AM-MPT-1100-9DM-TC19	walking case paper pad
4	AM-MPT-1100-9DM-TC04	Driven umbrella gear	20	AM-MPT-1100-9DM-TC20	walking case end cover
5	AM-MPT-1100-9DM-TC05	Tapered Roller Bearing	21	AM-MPT-1100-9DM-TC21	flat washer
6	AM-MPT-1100-9DM-TC06	walking case	22	AM-MPT-1100-9DM-TC22	spring washer
7	AM-MPT-1100-9DM-TC07	Tapered Roller Bearing	23	AM-MPT-1100-9DM-TC23	Bolt
8	AM-MPT-1100-9DM-TC08	umbrella gear shaft			
9	AM-MPT-1100-9DM-TC09	O ring			
10	AM-MPT-1100-9DM-TC10	drain bolt			
11	AM-MPT-1100-9DM-TC11	oil seal			
12	AM-MPT-1100-9DM-TC12	deep groove ball bearing			
13	AM-MPT-1100-9DM-TC13	output shaft bush			
14	AM-MPT-1100-9DM-TC14	adjusting washer			
15	AM-MPT-1100-9DM-TC15	Inner hex output shaft bush			
16	AM-MPT-1100-9DM-TC16	walking umbrella gear			

# TRANSMISSION DIAGRAM & PART LIST OF 6D & 9D INTERCULTIVATOR/POWER WEEDER

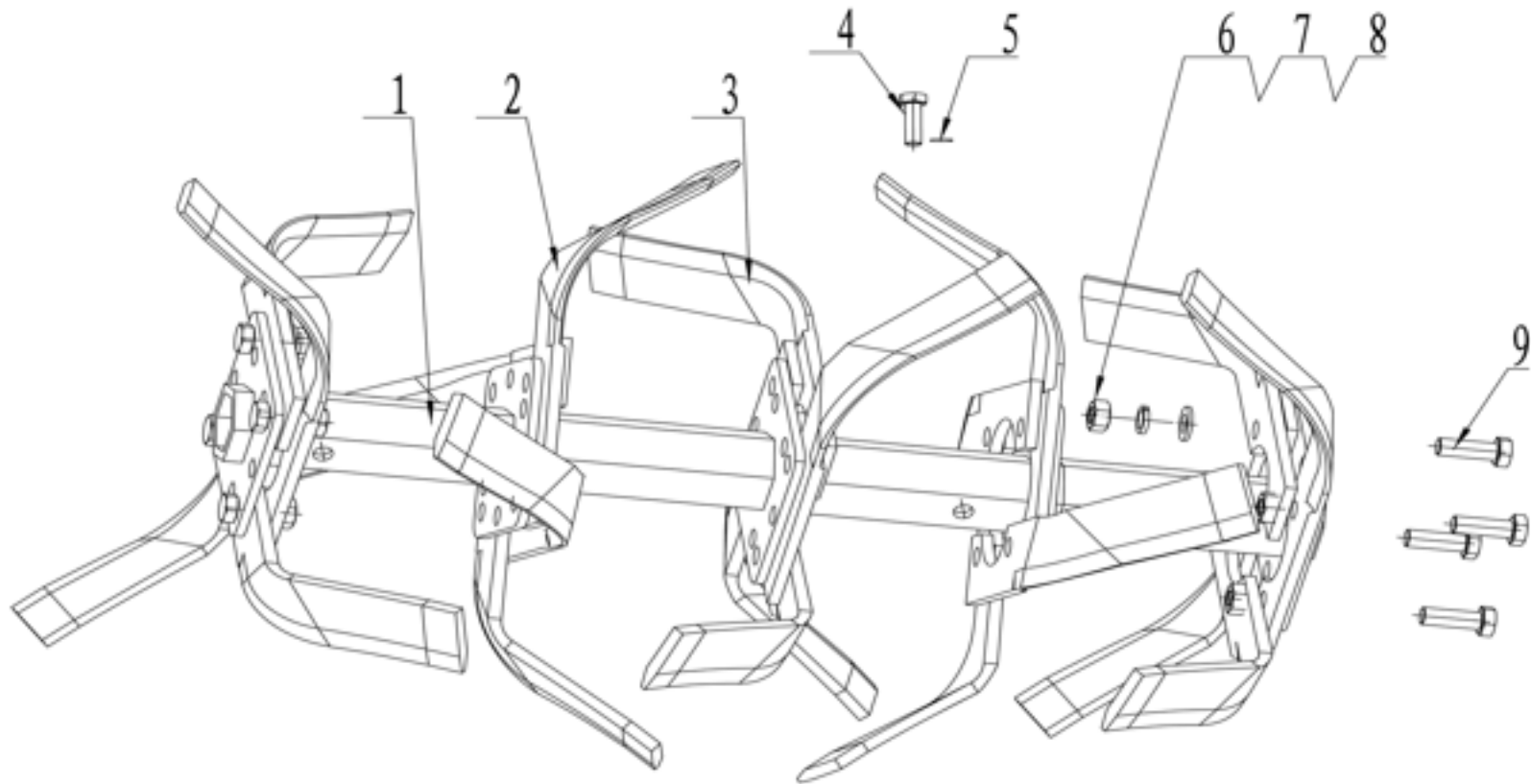
## WHEEL ASSY - D





# TRANSMISSION DIAGRAM & PART LIST OF 6D & 9D INTERCULTIVATOR/POWER WEEDER

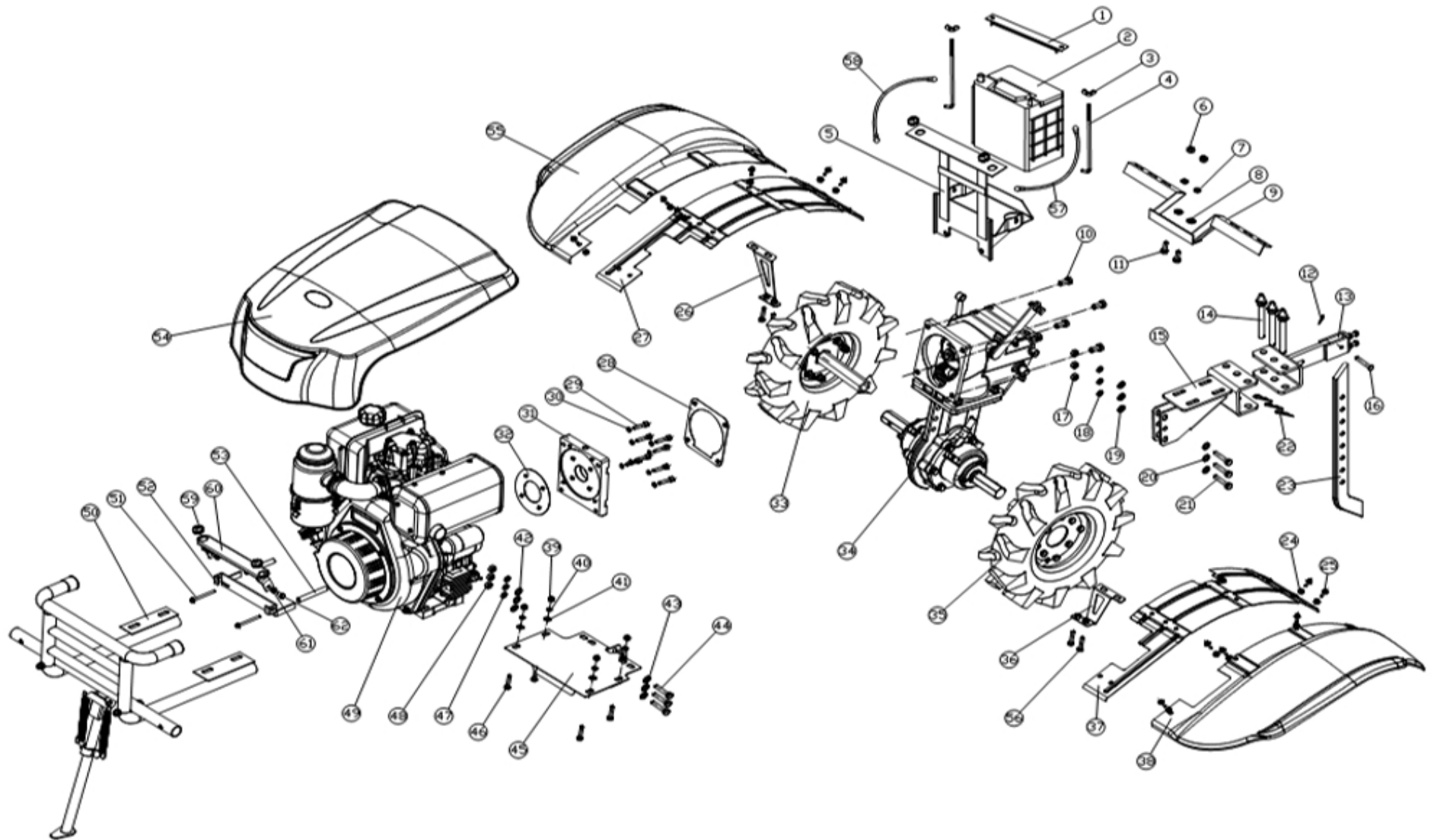
## BLADE ASYY - E





# TRANSMISSION DIAGRAM & PART LIST OF 6D & 9D INTERCULTIVATOR/POWER WEEDER

## FENDER - F





# TRANSMISSION DIAGRAM & PART LIST OF 6D & 9D INTERCULTIVATOR/POWER WEEDER






SL NO	PART NO	DESCRIPTION	SL NO	PART NO	DESCRIPTION
1	AM-MPT-1100-9DM-TF01	Battery strip assy	17	AM-MPT-1100-9DM-TF17	B type pin
2	AM-MPT-1100-9DM-TF02	Battery	18	AM-MPT-1100-9DM-TF18	Hexagon nut
3	AM-MPT-1100-9DM-TF03	white zinc	19	AM-MPT-1100-9DM-TF19	spring washer
4	AM-MPT-1100-9DM-TF04	Threaded rod	20	AM-MPT-1100-9DM-TF20	Flat washer
5	AM-MPT-1100-9DM-TF05	Battery box assy	21	AM-MPT-1100-9DM-TF21	Flat washer
6	AM-MPT-1100-9DM-TF06	Hexagon nut	22	AM-MPT-1100-9DM-TF22	Hexagon bolt
7	AM-MPT-1100-9DM-TF07	spring washer	23	AM-MPT-1100-9DM-TF23	R type split pin
8	AM-MPT-1100-9DM-TF08	Flat washer	24	AM-MPT-1100-9DM-TF24	Plow knife
9	AM-MPT-1100-9DM-TF09	Fender rear holder	25	AM-MPT-1100-9DM-TF25	Hexagon flange lock nut
10	AM-MPT-1100-9DM-TF10	Hexagon flange bolt	26	AM-MPT-1100-9DM-TF26	Hexagon flange bolt
11	AM-MPT-1100-9DM-TF11	Hexagon flange bolt	27	AM-MPT-1100-9DM-TF27	Fender front holder(right)
12	AM-MPT-1100-9DM-TF12	threaded hexagon bolt	28	AM-MPT-1100-9DM-TF28	Right fender
13	AM-MPT-1100-9DM-TF13	R type split pin	29	AM-MPT-1100-9DM-TF29	Gearbox paper pad
14	AM-MPT-1100-9DM-TF14	connecting frame	30	AM-MPT-1100-9DM-TF30	Hexagon screw
15	AM-MPT-1100-9DM-TF15	Pin	31	AM-MPT-1100-9DM-TF31	spring washer
16	AM-MPT-1100-9DM-TF16	Towed body	32	AM-MPT-1100-9DM-TF32	Flange plate

# TRANSMISSION DIAGRAM & PART LIST OF 6D & 9D INTERCULTIVATOR/POWER WEEDER

SL NO	PART NO	DESCRIPTION	SL NO	PART NO	DESCRIPTION
33	AM-MPT-1100-9DM-TF33	Flange plate paper pad	49	AM-MPT-1100-9DM-TF49	Hexagon nut
34	AM-MPT-1100-9DM-TF34	Right wheel assy	50	AM-MPT-1100-9DM-TF50	186FE diesel(as per order requirement)
35	AM-MPT-1100-9DM-TF35	186F diesel engine	51	AM-MPT-1100-9DM-TF51	Bumper assy
36	AM-MPT-1100-9DM-TF36	Left wheel assy	52	AM-MPT-1100-9DM-TF52	Hexagon flange bolt
37	AM-MPT-1100-9DM-TF37	Fender front holder(left)	53	AM-MPT-1100-9DM-TF53	Lamp cover front holder A block
38	AM-MPT-1100-9DM-TF38	Left fender	54	AM-MPT-1100-9DM-TF54	Lamp cover front holder B block
39	AM-MPT-1100-9DM-TF39	Left deputy fender	55	AM-MPT-1100-9DM-TF55	H glue
40	AM-MPT-1100-9DM-TF40	Hexagon nut	56	AM-MPT-1100-9DM-TF56	lamp cover holder
41	AM-MPT-1100-9DM-TF41	spring washer	57	AM-MPT-1100-9DM-TF57	cover assy
42	AM-MPT-1100-9DM-TF42	Flat washer	58	AM-MPT-1100-9DM-TF58	right deputy fender
43	AM-MPT-1100-9DM-TF43	Flat washer	59	AM-MPT-1100-9DM-TF59	hexagon bolt
44	AM-MPT-1100-9DM-TF44	Flat washer	60	AM-MPT-1100-9DM-TF60	cable
45	AM-MPT-1100-9DM-TF45	Hexagon bolt	61	AM-MPT-1100-9DM-TF61	cable
46	AM-MPT-1100-9DM-TF46	Engine holder			
47	AM-MPT-1100-9DM-TF47	Hexagon bolt			
48	AM-MPT-1100-9DM-TF48	spring washer			

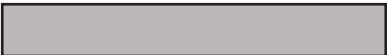




# WARRANTY CARD

## CUSTOMER COPY

DATE _____	DATE OF DELIVERY _____	DEALERS OFFICIAL SEAL	DEALERS SIGN _____
PURCHASERS NAME & ADDRESS _____ _____	 CUSTOMER SIGN		
PRODUCT NAME	PRODUCT SERIAL NO.	INVOICE/DN NO.	
			






I/Will accept the terms and conditions of warranty as in the warranty card

## DEALERS COPY

DATE _____	DATE OF DELIVERY _____	DEALERS OFFICIAL SEAL	DEALERS SIGN _____
PURCHASERS NAME & ADDRESS _____ _____	 CUSTOMER SIGN		
PRODUCT NAME	PRODUCT SERIAL NO.	INVOICE/DN NO.	
			

I/Will accept the terms and conditions of warranty as in the warranty card

## COMPANY COPY

DATE _____	DATE OF DELIVERY _____	DEALERS OFFICIAL SEAL	DEALERS SIGN _____
PURCHASERS NAME & ADDRESS _____ _____	 CUSTOMER SIGN		
PRODUCT NAME	PRODUCT SERIAL NO.	INVOICE/DN NO.	
			

I/Will accept the terms and conditions of warranty as in the warranty card

1. LIMITED WARRANTY PERIOD : For a period of six months from the date of Sale / delivery of the product which ever is earlier. 2. LIMITED WARRANTY OBLIGATION : Replacement of defective part(s) by authorized dealer are free of charges. If found defective by reasons of defective material / poor workmanship, parts will be replaced and there will be no value re-imburement. 3. TERMS & CONDITIONS : a. Claims under warranty will be accepted on submission of Warranty Card duly filled and stamped by authorized dealer together with the original purchase document. : b. Shipping / transportation / Incidental charges incurred in replacing defective parts under warranty shall be borne by the purchaser

WARRANTY null & void if

- (i) Lack of maintenance, (ii) Incorrect use of the machine or tampering, (iii) Use of non-genuine spare parts, (iv) Usage of acids, solvents, or any flammable materials, (v) Non-usage of filter water / clear water / soft water & using water above 40°C temperature, (vi) While using the pressure washers to draw water which is contaminated with dust & solvents (eg. paint thinners, gasoline, oil, etc.), (vii) Repair done by unauthorized service people, (viii) Those parts subject to wear & tear due to normal operations and plastic parts, rubber items etc, (ix) Loose connections, faulty electrical fixtures & fluctuations in power supply.
- 4. Should any failure occur during or after the warranty period, customer does not have the right to interrupt payment / price discount.
- 5. Incidental or consequential damages like inconvenience commercial loss, loss of tie, mental agony etc.
- 6. Loss of any nature due to operation or non-operation is not covered under warranty.
- 7. All free service are at Dealer's service point only.
- 8. Warranty ceases if service is not done periodically.
- 9. The attached card should be completed and returned to Ratnagiri Impex Pvt. Ltd. for registration immediately after sale / delivery.
- 10. The warranty is void unless you register the warranty card with Ratnagiri Impex Pvt. Ltd.
- 11. The decision of Ratnagiri Impex Pvt. Ltd., in settling the warranty is final in all respects.
- 12. All disputes are subject to Bangalore Courts Jurisdiction

1. LIMITED WARRANTY PERIOD : For a period of six months from the date of Sale / delivery of the product which ever is earlier. 2. LIMITED WARRANTY OBLIGATION : Replacement of defective part(s) by authorized dealer are free of charges. If found defective by reasons of defective material / poor workmanship, parts will be replaced and there will be no value re-imburement. 3. TERMS & CONDITIONS : a. Claims under warranty will be accepted on submission of Warranty Card duly filled and stamped by authorized dealer together with the original purchase document. : b. Shipping / transportation / Incidental charges incurred in replacing defective parts under warranty shall be borne by the purchaser.

WARRANTY null & void if

- (i) Lack of maintenance, (ii) Incorrect use of the machine or tampering, (iii) Use of non-genuine spare parts, (iv) Usage of acids, solvents, or any flammable materials, (v) Non-usage of filter water / clear water / soft water & using water above 40°C temperature, (vi) While using the pressure washers to draw water which is contaminated with dust & solvents (eg. paint thinners, gasoline, oil, etc.), (vii) Repair done by unauthorized service people, (viii) Those parts subject to wear & tear due to normal operations and plastic parts, rubber items etc, (ix) Loose connections, faulty electrical fixtures & fluctuations in power supply.
- 4. Should any failure occur during or after the warranty period, customer does not have the right to interrupt payment / price discount.
- 5. Incidental or consequential damages like inconvenience commercial loss, loss of tie, mental agony etc.
- 6. Loss of any nature due to operation or non-operation is not covered under warranty.
- 7. All free service are at Dealer's service point only.
- 8. Warranty ceases if service is not done periodically.
- 9. The attached card should be completed and returned to Ratnagiri Impex Pvt. Ltd. for registration immediately after sale / delivery.
- 10. The warranty is void unless you register the warranty card with Ratnagiri Impex Pvt. Ltd.
- 11. The decision of Ratnagiri Impex Pvt. Ltd., in settling the warranty is final in all respects.
- 12. All disputes are subject to Bangalore Courts Jurisdiction

1. LIMITED WARRANTY PERIOD : For a period of six months from the date of Sale / delivery of the product which ever is earlier. 2. LIMITED WARRANTY OBLIGATION : Replacement of defective part(s) by authorized dealer are free of charges. If found defective by reasons of defective material / poor workmanship, parts will be replaced and there will be no value re-imburement. 3. TERMS & CONDITIONS : a. Claims under warranty will be accepted on submission of Warranty Card duly filled and stamped by authorized dealer together with the original purchase document. : b. Shipping / transportation / Incidental charges incurred in replacing defective parts under warranty shall be borne by the purchaser.

WARRANTY null & void if

- (i) Lack of maintenance, (ii) Incorrect use of the machine or tampering, (iii) Use of non-genuine spare parts, (iv) Usage of acids, solvents, or any flammable materials, (v) Non-usage of filter water / clear water / soft water & using water above 40°C temperature, (vi) While using the pressure washers to draw water which is contaminated with dust & solvents (eg. paint thinners, gasoline, oil, etc.), (vii) Repair done by unauthorized service people, (viii) Those parts subject to wear & tear due to normal operations and plastic parts, rubber items etc, (ix) Loose connections, faulty electrical fixtures & fluctuations in power supply.
- 4. Should any failure occur during or after the warranty period, customer does not have the right to interrupt payment / price discount.
- 5. Incidental or consequential damages like inconvenience commercial loss, loss of tie, mental agony etc.
- 6. Loss of any nature due to operation or non-operation is not covered under warranty.
- 7. All free service are at Dealer's service point only.
- 8. Warranty ceases if service is not done periodically.
- 9. The attached card should be completed and returned to Ratnagiri Impex Pvt. Ltd. for registration immediately after sale / delivery.
- 10. The warranty is void unless you register the warranty card with Ratnagiri Impex Pvt. Ltd.
- 11. The decision of Ratnagiri Impex Pvt. Ltd., in settling the warranty is final in all respects.
- 12. All disputes are subject to Bangalore Courts Jurisdiction



**FREE SERVICE COUPON (30DAYS/30HRS. WHICHEVER IS EARLIER)**

MODEL

SERIAL NUMBER

PDI DATE

SERVICE NO.

PURCHASE BILL NO.

DATE

DEALERS OFFICE SEAL

- 1. Check and test the fuel mixture
- 3. Check , clean and adjust the spark plug
- 5. Check and sparken the cutting tools
- 7. Start and check the noise, vibration, loosen etc..

OPERATIONS

- 2. check and clean the air filter
- 4. Check and adjust the carburetor tuning
- 6. Product familirisation on usage
- 8. Routine maintenance and shortage.

**FREE SERVICE COUPON (30DAYS/30HRS. WHICHEVER IS EARLIER)**

MODEL

SERIAL NUMBER

PDI DATE

SERVICE NO.

PURCHASE BILL NO.

DATE

DEALERS OFFICE SEAL

- 1. Check and test the fuel mixture
- 3. Check , clean and adjust the spark plug
- 5. Check and sparken the cutting tools
- 7. Start and check the noise, vibration, loosen etc..

OPERATIONS

- 2. check and clean the air filter
- 4. Check and adjust the carburetor tuning
- 6. Product familirisation on usage
- 8. Routine maintenance and shortage.

**FREE SERVICE COUPON (30DAYS/30HRS. WHICHEVER IS EARLIER)**

MODEL

SERIAL NUMBER

PDI DATE

SERVICE NO.

PURCHASE BILL NO.

DATE

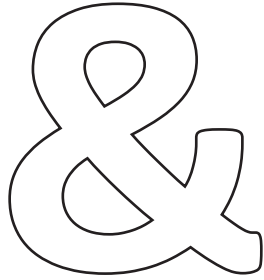
DEALERS OFFICE SEAL

- 1. Check and test the fuel mixture
- 3. Check , clean and adjust the spark plug
- 5. Check and sparken the cutting tools
- 7. Start and check the noise, vibration, loosen etc..

OPERATIONS

- 2. check and clean the air filter
- 4. Check and adjust the carburetor tuning
- 6. Product familirisation on usage
- 8. Routine maintenance and shortage.

# DOS

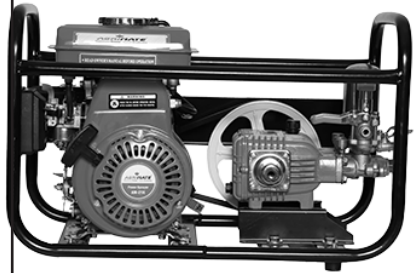
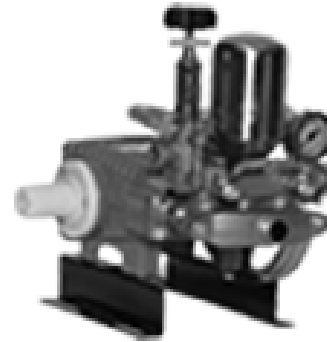


# DONT'S

1. Always read the instruction manual supplied along with the equipments and understand the correct installation and operating procedures before attempting to use the equipments.
2. It is important to use the personal protection equipments such as head helmet with visor, ear defenders, goggles, safety gloves, cut resistant shoes, trousers and jackets while operating potentially dangerous machines
3. Avoid untrained persons using the equipments. Children must not be allowed to handle these equipments
4. Always use genuine spares and accessories in repairs and usage to derive maximum life of the equipments.
5. Always keep the equipments in good working condition to minimize loss of output as well as to reduce the pollution and save the environment
6. Do not use the machine within range of persons unless they wear protective clothing
7. Do not operate the machine when fatigued or under the influence of alcohol or drugs
8. When the machine is running, please maintain a constant water supply. Without water circulation will damage the sealing rings of the machine.
9. For more query kindly contact for our Service Center/Dealer/ franchise

# Agrimate Army For Pest Control

ANY WHERE - ANY TIME - ANY CROP



Marketed by:  
**ratnagiri  
impex**  
BRINGING YOU THE FUTURE... NOW

**RATNAGIRI IMPEX PVT., LTD.,**

Annapurna House, #1 / 1G, 7th Cross, New  
Guddadahalli

Mysore Road, Bangalore - 560 026

Missed Call : 7393 938 938

Email: [ask@agrimart.in](mailto:ask@agrimart.in)