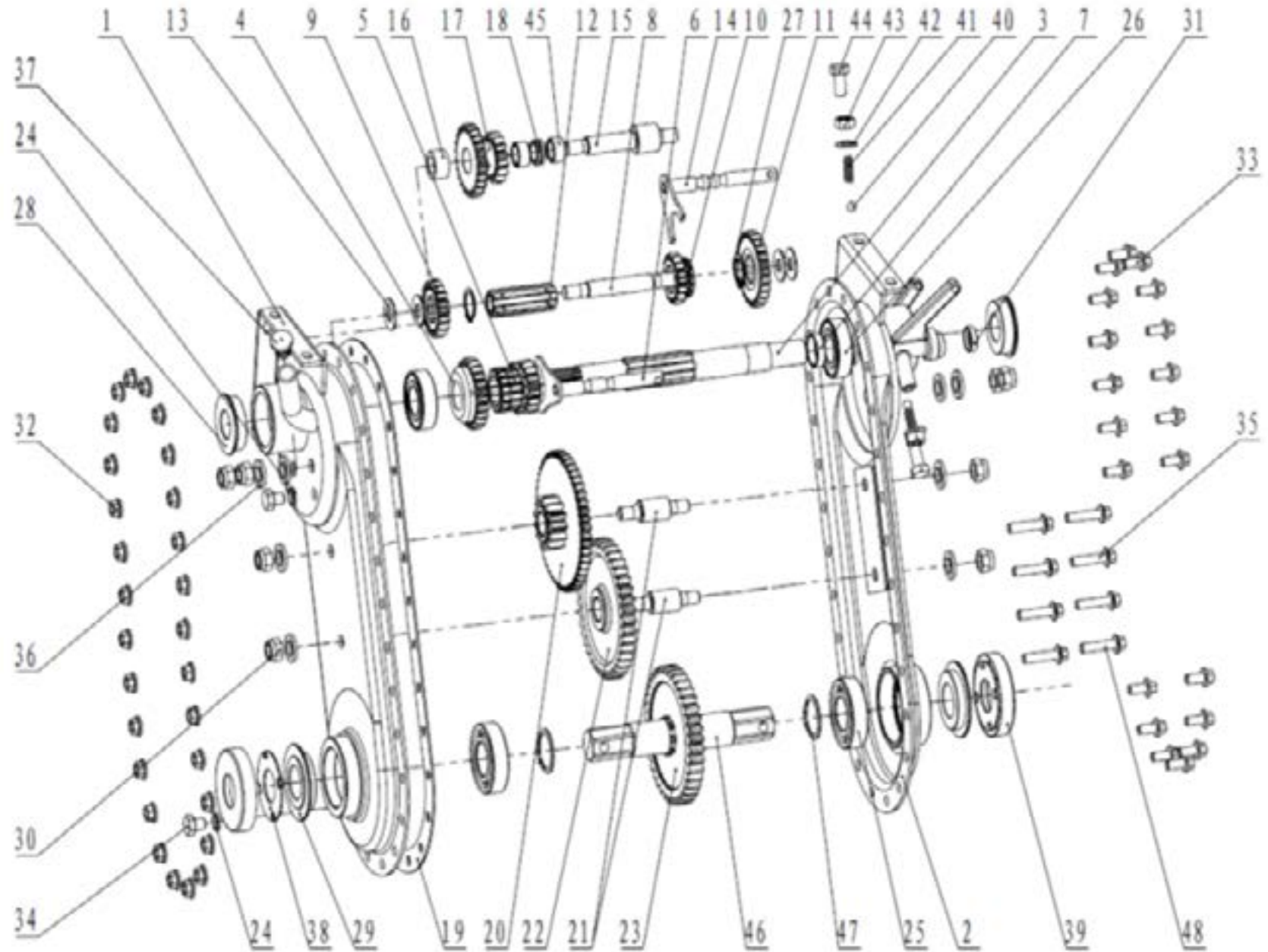


## INTERCULTIVATOR/POWER WEEDER AM-MPTC-6600-9P/6D TRANSMISSION



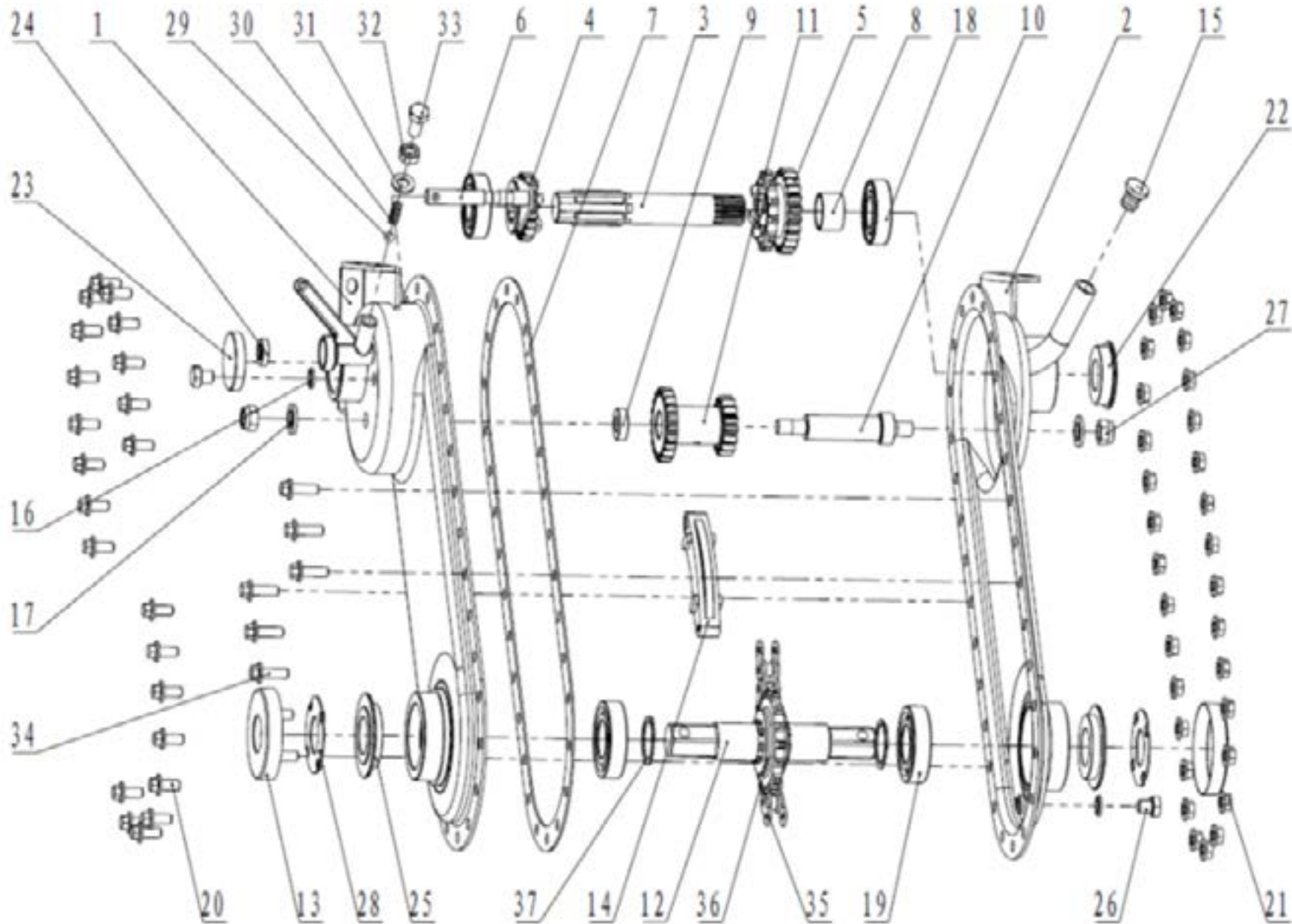
# WALKING BOX ASSY - A



<b>SL NO</b>	<b>PART NO</b>	<b>DESCRIPTION</b>	<b>SL NO</b>	<b>PART NO</b>	<b>DESCRIPTION</b>
1	AM-6600-9P/6D-TA01	Walking box right	17	AM-6600-9P/6D-TA17	Reverse double gear
2	AM-6600-9P/6D-TA02	Walking box left	18	AM-6600-9P/6D-TA18	Bushing
3	AM-6600-9P/6D-TA03	Travel box input shaft	19	AM-6600-9P/6D-TA19	Walking box and box paper pad
4	AM-6600-9P/6D-TA04	Travel box fast gear active gear	20	AM-6600-9P/6D-TA20	Double transmission gear assembly
5	AM-6600-9P/6D-TA05	Shift gear of walking box	21	AM-6600-9P/6D-TA21	Transmission gear mandrel
6	AM-6600-9P/6D-TA06	Walking box shift fork	22	AM-6600-9P/6D-TA22	Transmission gear assembly
7	AM-6600-9P/6D-TA07	Bushing	23	AM-6600-9P/6D-TA23	Output shaft gear of traveling box
8	AM-6600-9P/6D-TA08	Traveling counter shaft	24	AM-6600-9P/6D-TA24	Gasket
9	AM-6600-9P/6D-TA09	Fast gear for traveling countershaft	25	AM-6600-9P/6D-TA25	Bearing
10	AM-6600-9P/6D-TA10	Steering gear	26	AM-6600-9P/6D-TA26	Bearing
11	AM-6600-9P/6D-TA11	Slow gear of traveling countershaft	27	AM-6600-9P/6D-TA27	Circlip for shaft
12	AM-6600-9P/6D-TA12	Travel countershaft spline sleeve assembly	28	AM-6600-9P/6D-TA28	Non-standard oil seal
13	AM-6600-9P/6D-TA13	Non-standard wear-resistant washer	29	AM-6600-9P/6D-TA29	Non-standard oil seal
14	AM-6600-9P/6D-TA14	Walking box reversing fork	30	AM-6600-9P/6D-TA30	Type 1 hexagon lock nut with non-metallic insert M
15	AM-6600-9P/6D-TA15	Travel box reverse shaft	31	AM-6600-9P/6D-TA31	Non-standard oil seal
16	AM-6600-9P/6D-TA16	Bushing	32	AM-6600-9P/6D-TA32	Hexagon flange nut

<b>SL NO</b>	<b>PART NO</b>	<b>DESCRIPTION</b>	<b>SL NO</b>	<b>PART NO</b>	<b>DESCRIPTION</b>
33	AM-6600-9P/6D-TA33	Hexagon flange bolt			
34	AM-6600-9P/6D-TA34	Hexagon head bolt			
35	AM-6600-9P/6D-TA35	Hexagon flange bolt			
36	AM-6600-9P/6D-TA36	Seal			
37	AM-6600-9P/6D-TA37	Refueling rubber plug			
38	AM-6600-9P/6D-TA38	Output shaft oil seal press block			
39	AM-6600-9P/6D-TA39	Output shaft protection cover			
40	AM-6600-9P/6D-TA40	Steel ball			
41	AM-6600-9P/6D-TA41	Gear spring			
42	AM-6600-9P/6D-TA42	Flat washer			
43	AM-6600-9P/6D-TA43	Type 1 hexagon nut			
44	AM-6600-9P/6D-TA44	Hexagon head bolt			
45	AM-6600-9P/6D-TA45	Radial needle roller and cage assembly			
46	AM-6600-9P/6D-TA46	Walking box output shaft			
47	AM-6600-9P/6D-TA47	Circlip for shaft			
48	AM-6600-9P/6D-TA48	Hexagon flange bolt			

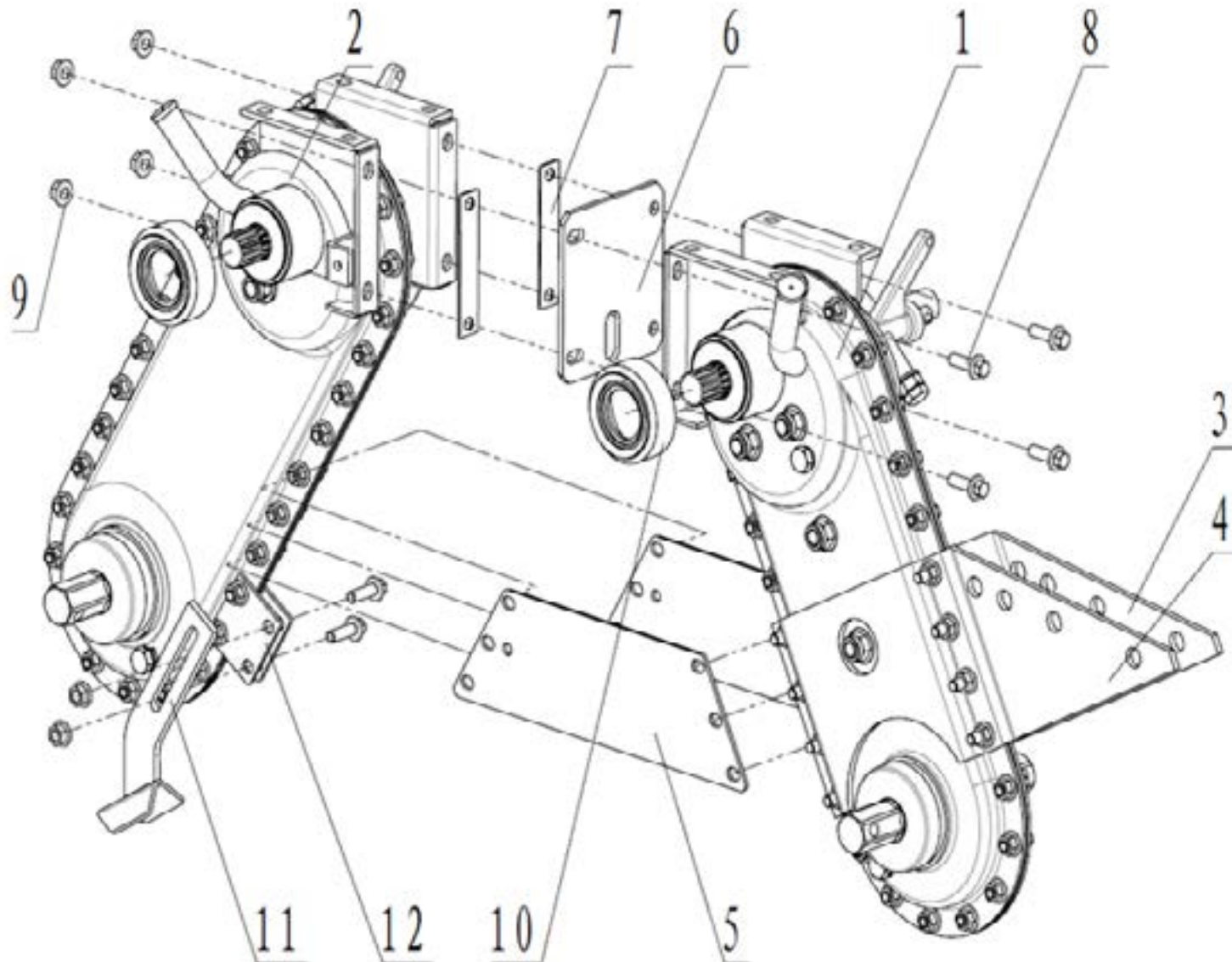
# CULTIVATION BOX ASSY - B



SL NO	PART NO	DESCRIPTION	SL NO	PART NO	DESCRIPTION
1	AM-6600-9P/6D-TB01	Cultivation box left	17	AM-6600-9P/6D-TB17	Seal
2	AM-6600-9P/6D-TB02	Tillage box right	18	AM-6600-9P/6D-TB18	Deep groove ball bearings
3	AM-6600-9P/6D-TB03	Cultivation box input shaft	19	AM-6600-9P/6D-TB19	Deep groove ball bearing
4	AM-6600-9P/6D-TB04	Cultivation box shift gear	20	AM-6600-9P/6D-TB20	Hexagon flange bolt
5	AM-6600-9P/6D-TB05	Cultivation box active sprocket	21	AM-6600-9P/6D-TB21	Hexagon flange nut
6	AM-6600-9P/6D-TB06	Cultivation box shift fork	22	AM-6600-9P/6D-TB22	Non-standard oil seal
7	AM-6600-9P/6D-TB07	Cultivation box and paper mat	23	AM-6600-9P/6D-TB23	Oil seal cap
8	AM-6600-9P/6D-TB08	Bushing	24	AM-6600-9P/6D-TB24	Non-standard oil seal
9	AM-6600-9P/6D-TB09	Bushing	25	AM-6600-9P/6D-TB25	Non-standard oil seal
10	AM-6600-9P/6D-TB10	Cultivation box drive shaft	26	AM-6600-9P/6D-TB26	Hexagon head bolt
11	AM-6600-9P/6D-TB11	Cultivation box slow gear double gear assembly	27	AM-6600-9P/6D-TB27	Type 1 hexagon lock nut with non-metallic insert
12	AM-6600-9P/6D-TB12	Walking box output shaft	28	AM-6600-9P/6D-TB28	Output shaft oil seal press block
13	AM-6600-9P/6D-TB13	Output shaft protection cover	29	AM-6600-9P/6D-TB29	Steel ball
14	AM-6600-9P/6D-TB14	Tillage box chain tensioning block	30	AM-6600-9P/6D-TB30	Gear spring
15	AM-6600-9P/6D-TB15	Refueling rubber plug	31	AM-6600-9P/6D-TB31	Flat washer
16	AM-6600-9P/6D-TB16	Sealing gasket	32	AM-6600-9P/6D-TB32	Type 1 hexagon nut



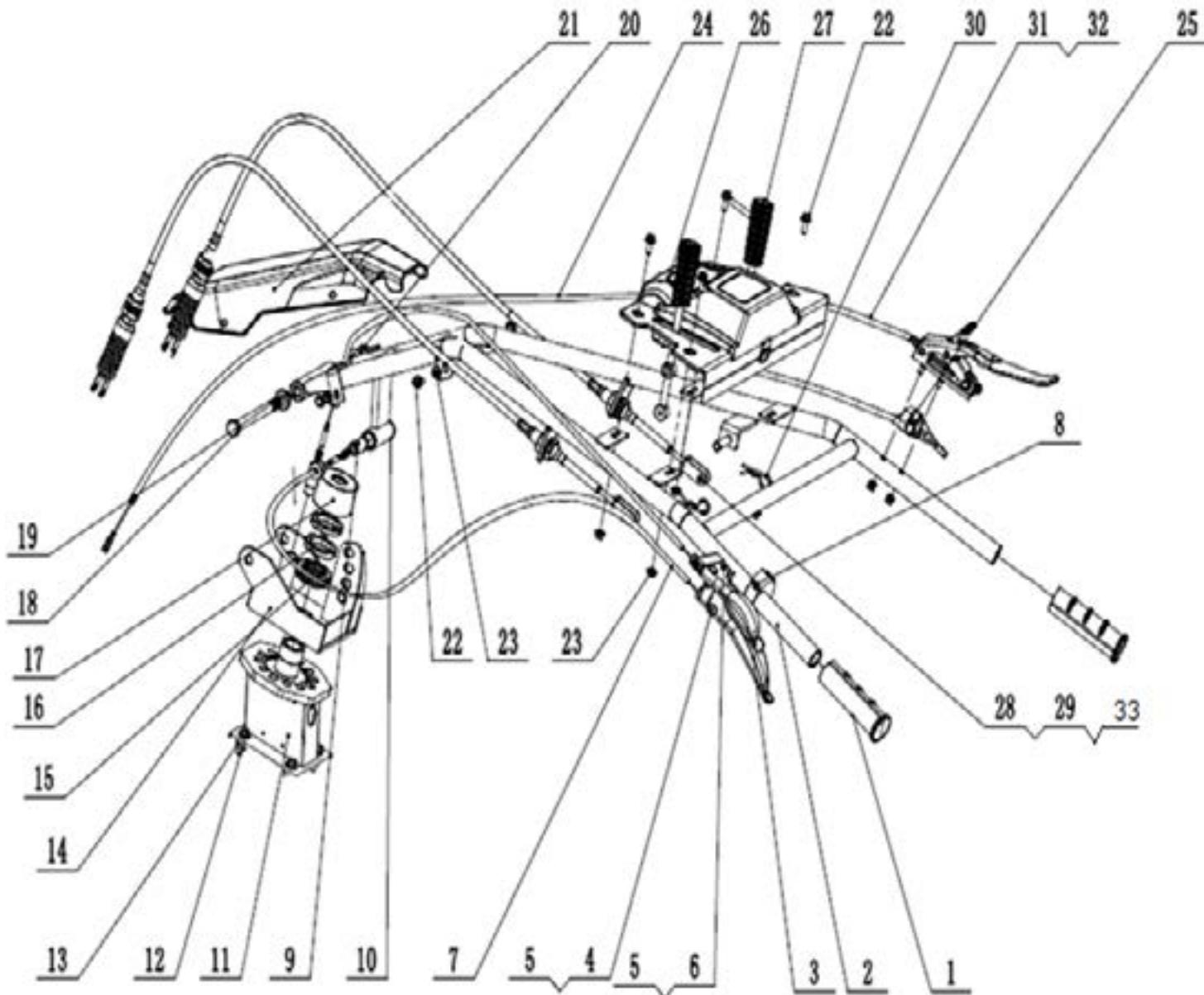
# COMBINATION OF WALKING BOX- C





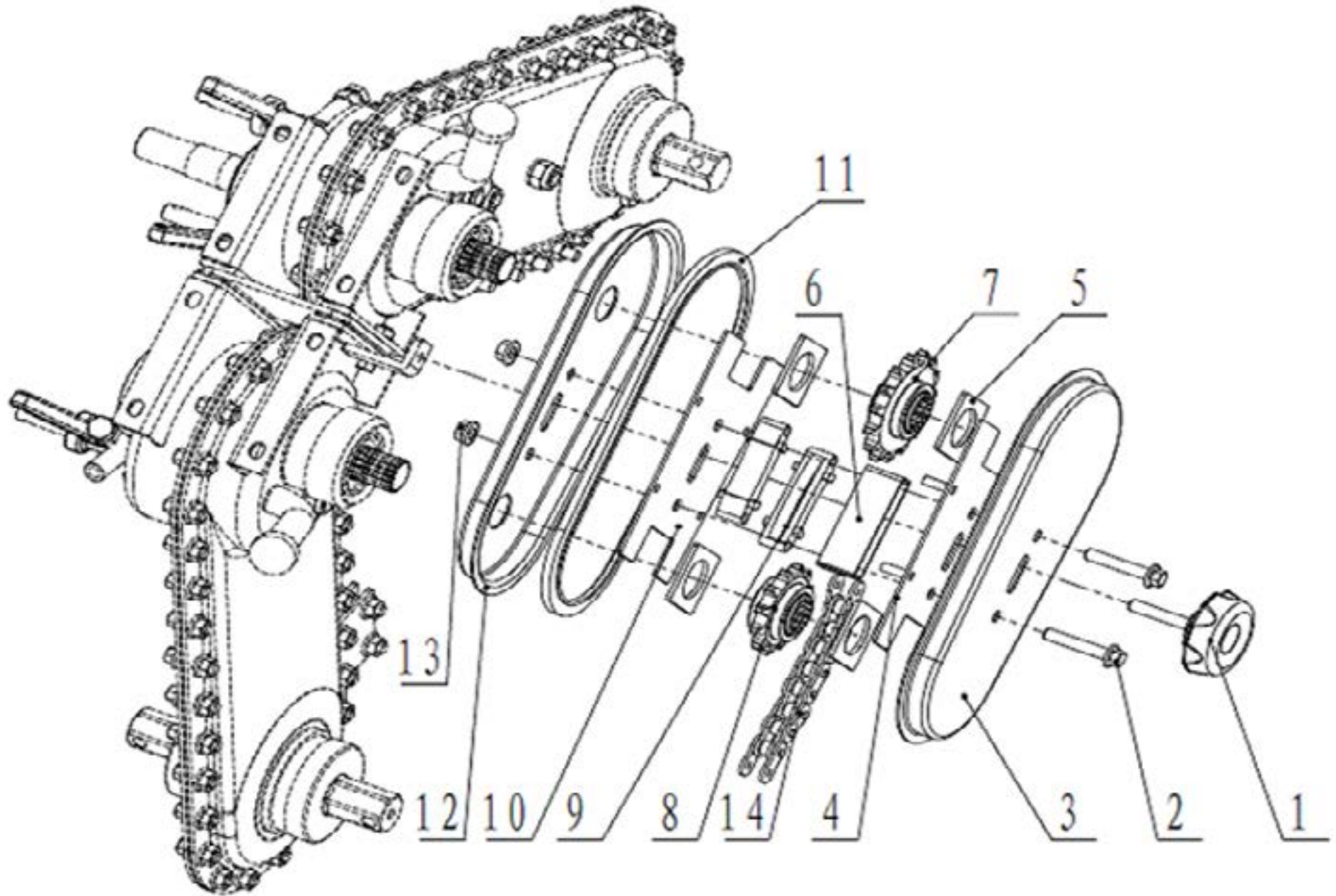
<b>SL NO</b>	<b>PART NO</b>	<b>DESCRIPTION</b>	<b>SL NO</b>	<b>PART NO</b>	<b>DESCRIPTION</b>
1	AM-6600-9P/6D-TC01	Walking box assembly			
2	AM-6600-9P/6D-TC02	Cultivation box assembly			
3	AM-6600-9P/6D-TC03	Power support support plate (left)			
4	AM-6600-9P/6D-TC04	Power support support plate (right)			
5	AM-6600-9P/6D-TC05	Box connecting plate			
6	AM-6600-9P/6D-TC06	Box connection pad			
7	AM-6600-9P/6D-TC07	Space			
8	AM-6600-9P/6D-TC08	Hexagon flange bolt			
9	AM-6600-9P/6D-TC09	Hexagon flange nut			
10	AM-6600-9P/6D-TC10	Sealing cap			
11	AM-6600-9P/6D-TC11	Groundbreaking shovel			
12	AM-6600-9P/6D-TC12	Breaking shovel fixed plate			

# ARMREST CONTROL ASSY - D



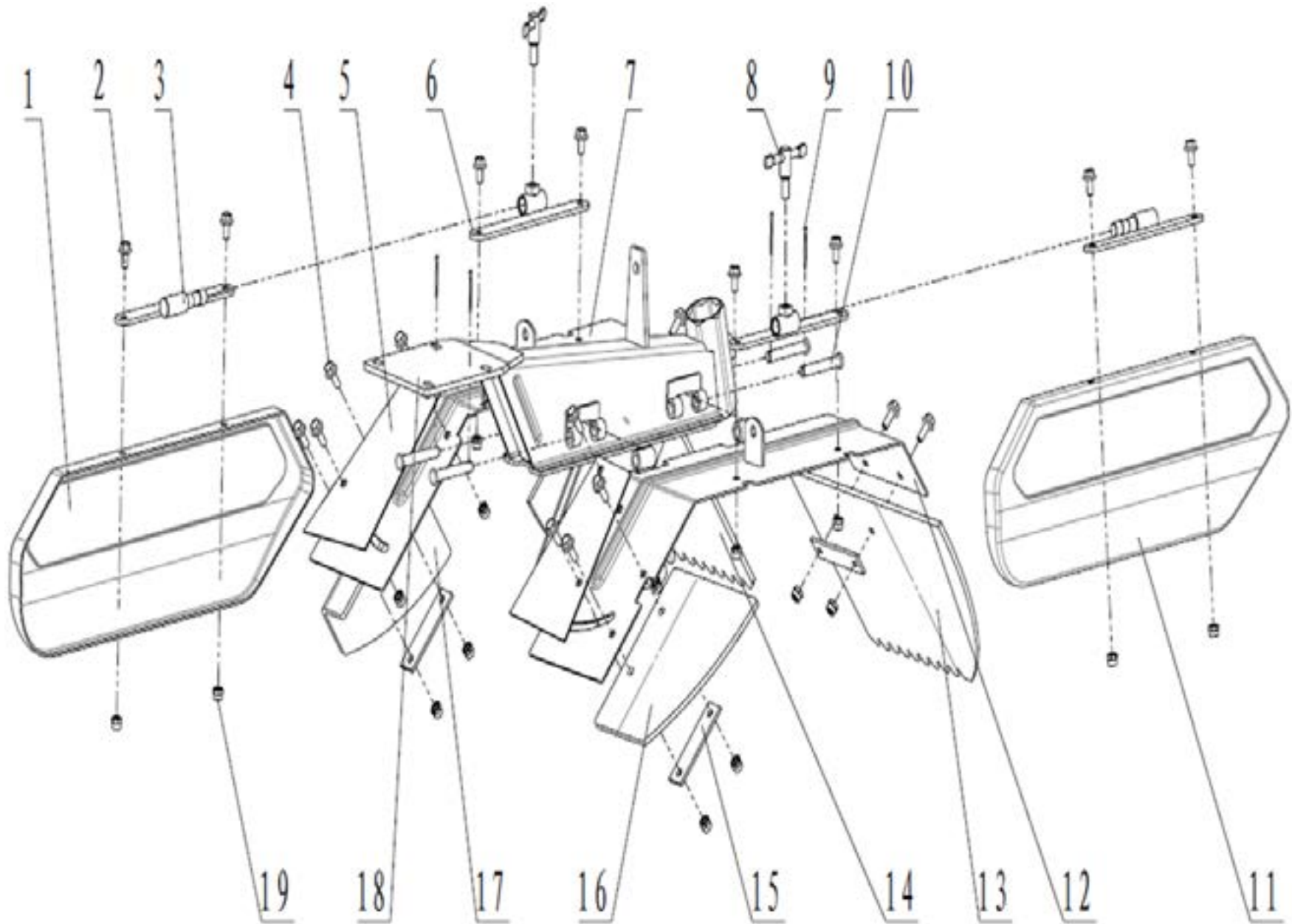
SL NO	PART NO	DESCRIPTION	SL NO	PART NO	DESCRIPTION
1	AM-6600-9P/6D-TD01	Damping grip	17	AM-6600-9P/6D-TD17	Handrail steering dust cover
2	AM-6600-9P/6D-TD02	Armrest	18	AM-6600-9P/6D-TD18	Flat washer
3	AM-6600-9P/6D-TD03	Reverse gear clutch handle	19	AM-6600-9P/6D-TD19	Type 1 hexagon lock nut with non-metallic insert
4	AM-6600-9P/6D-TD04	Non-standard pin shaft	20	AM-6600-9P/6D-TD20	Hexagon head bolt
5	AM-6600-9P/6D-TD05	Split pin	21	AM-6600-9P/6D-TD21	Armrest cover
6	AM-6600-9P/6D-TD06	Non-standard pin shaft	22	AM-6600-9P/6D-TD22	Hexagon flange bolt
7	AM-6600-9P/6D-TD07	Armrest adjustment cable	23	AM-6600-9P/6D-TD23	Hex flange nut
8	AM-6600-9P/6D-TD08	Flameout switch	24	AM-6600-9P/6D-TD24	Clutch handle assembly
9	AM-6600-9P/6D-TD09	Regulating pressure spring	25	AM-6600-9P/6D-TD25	Bee style throttle switch
10	AM-6600-9P/6D-TD10	Steering pin	26	AM-6600-9P/6D-TD26	Widen the new tool box
11	AM-6600-9P/6D-TD11	Armrest bracket	27	AM-6600-9P/6D-TD27	Shift control grip
12	AM-6600-9P/6D-TD12	Hexagon flange bolt	28	AM-6600-9P/6D-TD28	Pin
13	AM-6600-9P/6D-TD13	Hexagon flange nut	29	AM-6600-9P/6D-TD29	Circlip F
14	AM-6600-9P/6D-TD14	Armrest seat	30	AM-6600-9P/6D-TD30	Circlip B
15	AM-6600-9P/6D-TD15	Thrust ball bearings	31	AM-6600-9P/6D-TD31	Throttle cable
16	AM-6600-9P/6D-TD16	Small round nut	32	AM-6600-9P/6D-TD32	Self-locking hoop
			33	AM-6600-9P/6D-TD33	Shift control cable

## Chain box parts - E



SL NO	PART NO	DESCRIPTION	SL NO	PART NO	DESCRIPTION
1	AM-6600-9P/6D-TE01	Chain box lock handle			
2	AM-6600-9P/6D-TE02	Hexagon flange bolt			
3	AM-6600-9P/6D-TE03	Outside the chain box housing			
4	AM-6600-9P/6D-TE04	Chain box holder			
5	AM-6600-9P/6D-TE05	Copper washer			
6	AM-6600-9P/6D-TE06	Chain box support frame			
7	AM-6600-9P/6D-TE07	Chain box driving sprocket			
8	AM-6600-9P/6D-TE08	Chain box driven sprocket			
9	AM-6600-9P/6D-TE09	Chain box, chain tensioner			
10	AM-6600-9P/6D-TE10	Chain box fixing plate			
11	AM-6600-9P/6D-TE11	Chain box seal			
12	AM-6600-9P/6D-TE12	Inside the chain box housing			
13	AM-6600-9P/6D-TE13	Hexagon flange nut			
14	AM-6600-9P/6D-TE14	Chain			

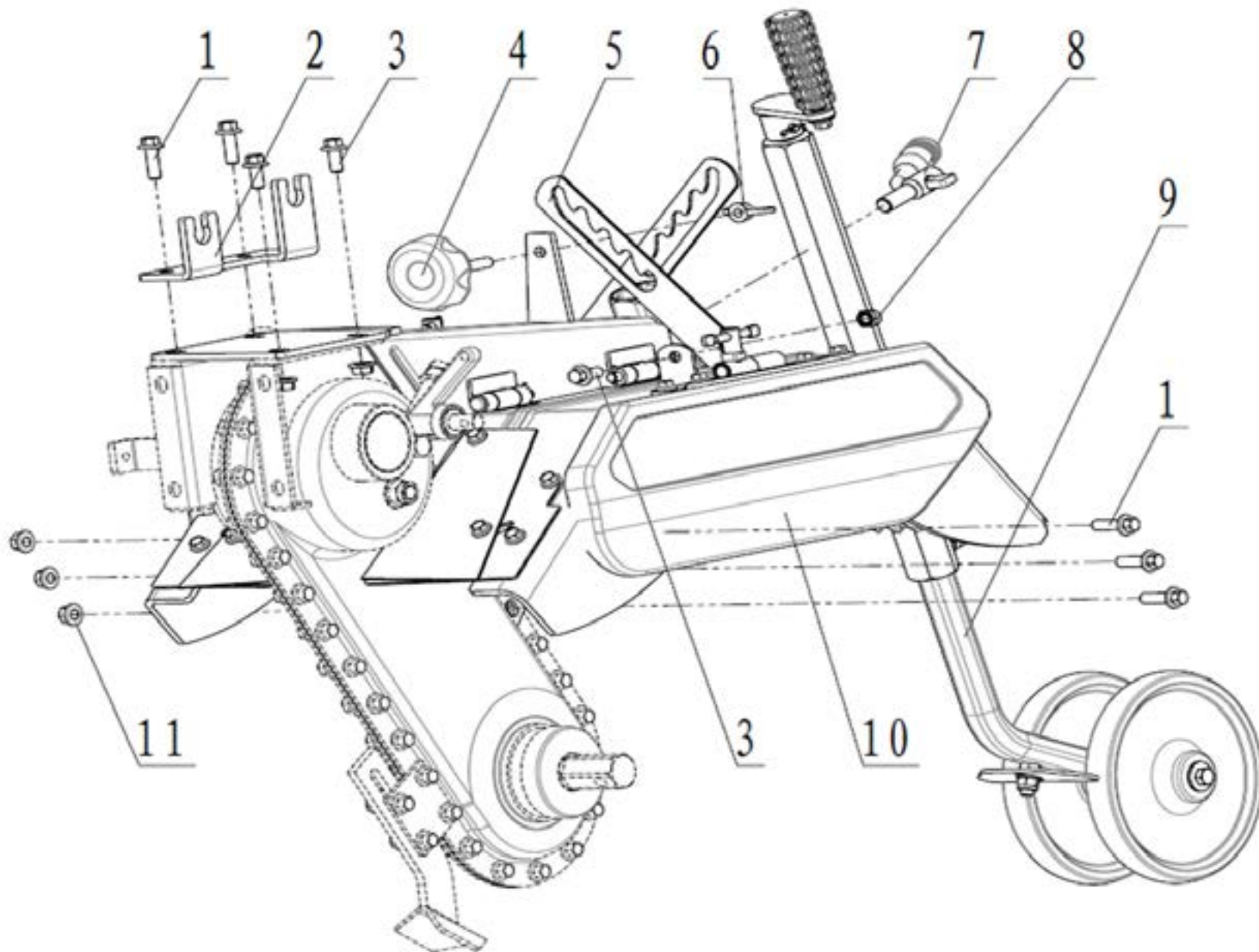
## Fender parts- F



<b>SL NO</b>	<b>PART NO</b>	<b>DESCRIPTION</b>	<b>SL NO</b>	<b>PART NO</b>	<b>DESCRIPTION</b>
1	AM-6600-9P/6D-TF01	Side mudguard/right	17	AM-6600-9P/6D-TF17	Right rear mudguard rubber plate
2	AM-6600-9P/6D-TF02	Hexagon flange bolt	18	AM-6600-9P/6D-TF18	Trailer
3	AM-6600-9P/6D-TF03	Hinge A	19	AM-6600-9P/6D-TF19	Type 1 hexagon lock nut with non-metallic insert
4	AM-6600-9P/6D-TF04	Hexagon flange bolt			
5	AM-6600-9P/6D-TF05	Sliding baffle			
6	AM-6600-9P/6D-TF06	Hinge B			
7	AM-6600-9P/6D-TF07	Narrow mudguard/right			
8	AM-6600-9P/6D-TF08	Lock the small handle			
9	AM-6600-9P/6D-TF09	Split pin			
10	AM-6600-9P/6D-TF10	Pin			
11	AM-6600-9P/6D-TF11	Side mudguard/left			
12	AM-6600-9P/6D-TF12	Narrow mudguard/left			
13	AM-6600-9P/6D-TF13	Left front mudguard rubber plate			
14	AM-6600-9P/6D-TF14	Right front mudguard rubber plate			
15	AM-6600-9P/6D-TF15	Rubber block layering			
16	AM-6600-9P/6D-TF16	Left rear mudguard rubber plate			



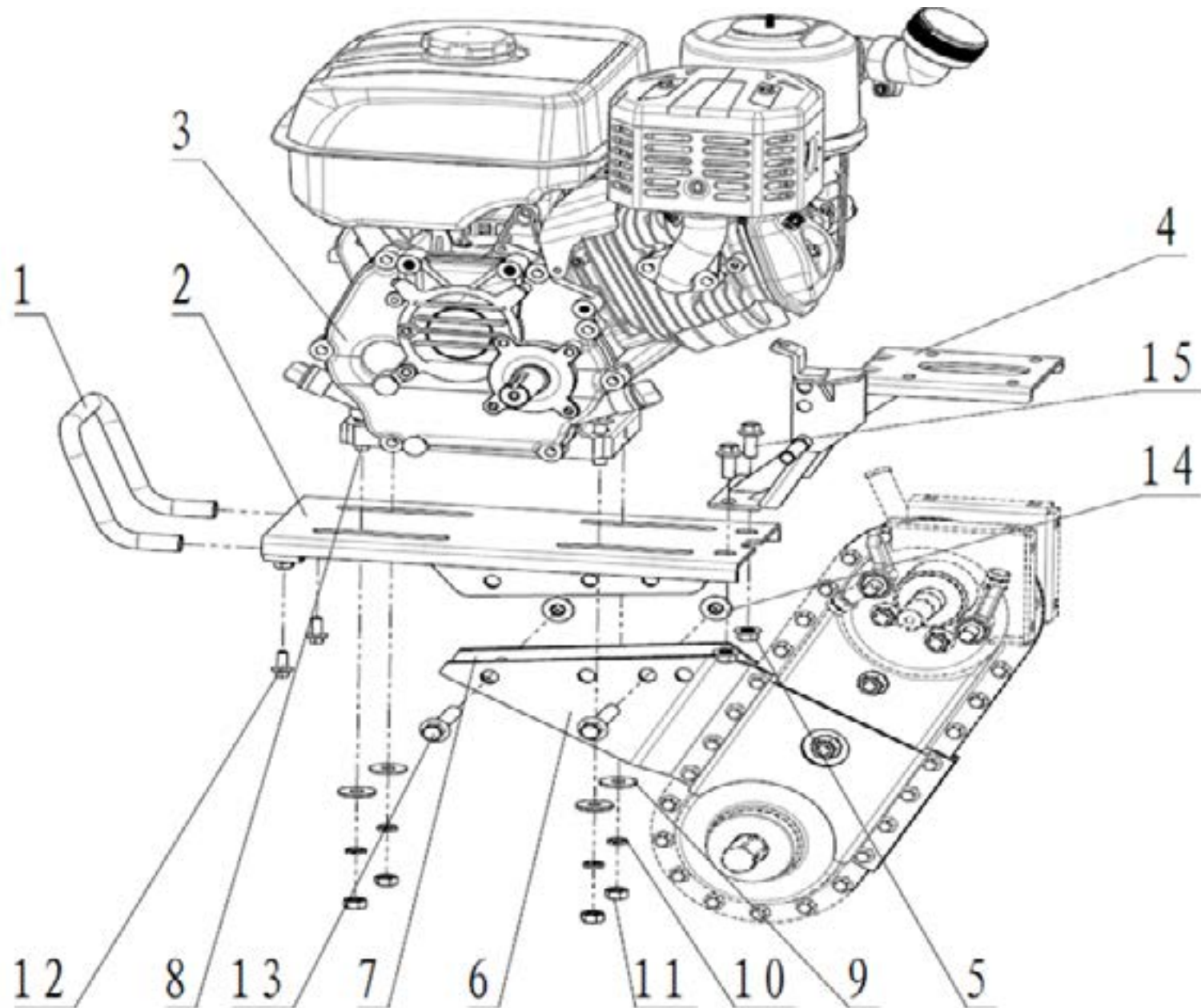
# TRAILER BODY PARTS - G





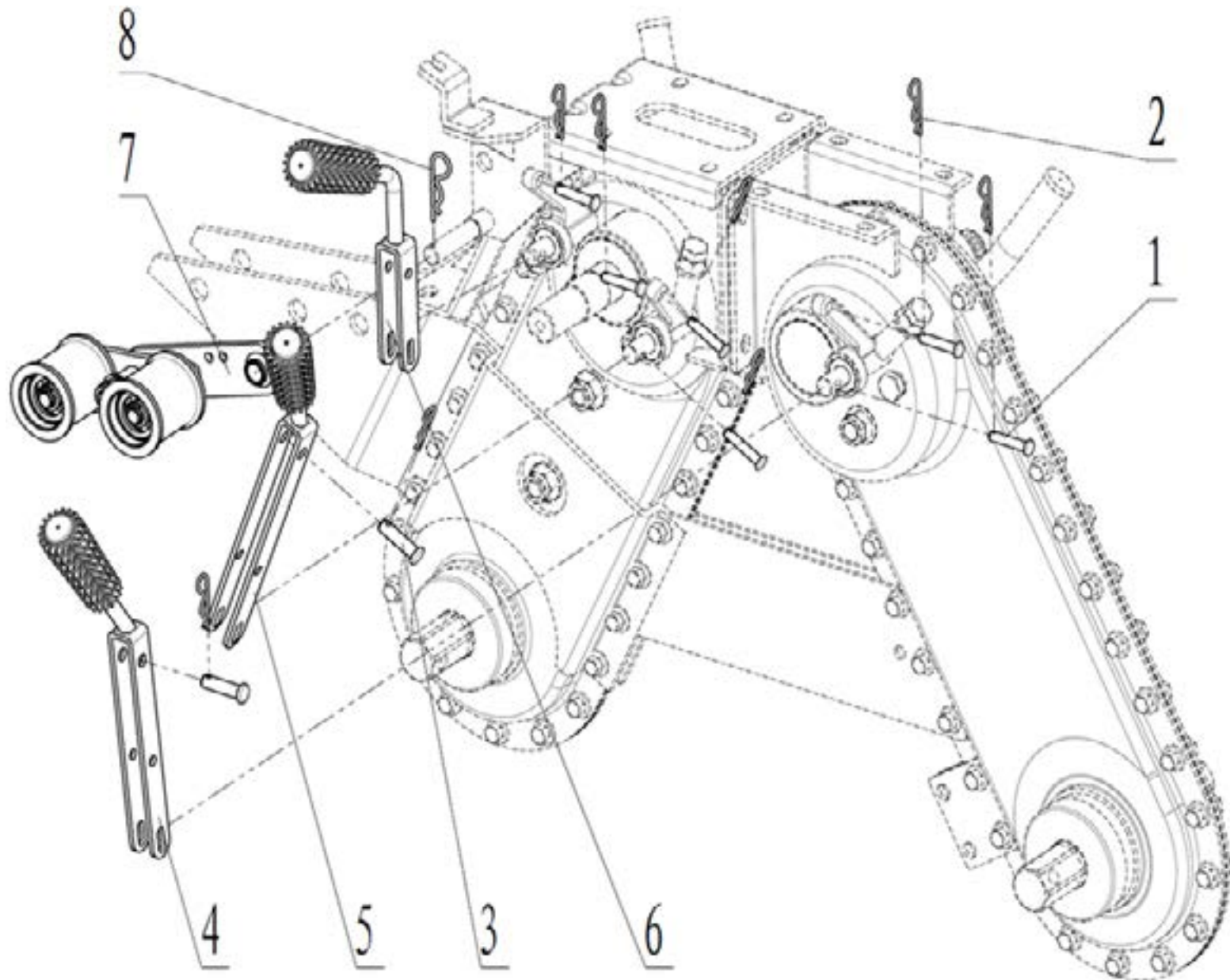


# ENGINE ARMREST BASE PARTS - H



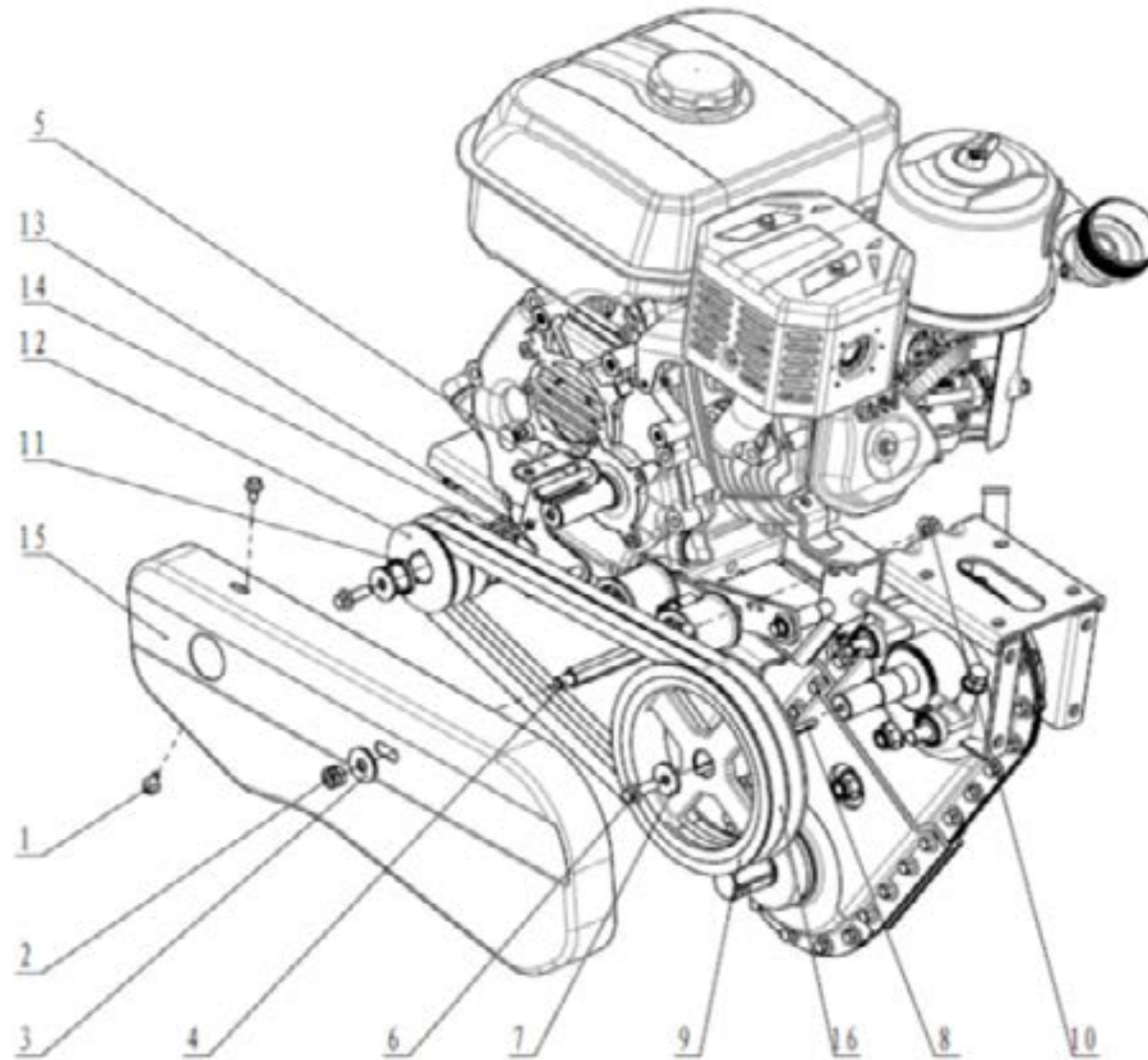
<b>SL NO</b>	<b>PART NO</b>	<b>DESCRIPTION</b>	<b>SL NO</b>	<b>PART NO</b>	<b>DESCRIPTION</b>
1	AM-6600-9P/6D-TH01	Machine handle			
2	AM-6600-9P/6D-TH02	Engine bracket			
3	AM-6600-9P/6D-TH03	AM177F/P-3 gasoline engine			
	AM-6600-9P/6D-TH04	AM178FS Diesel engine			
4	AM-6600-9P/6D-TH05	Armrest base			
5	AM-6600-9P/6D-TH06	Hexagon flange nut			
6	AM-6600-9P/6D-TH07	Power support support plate (left)			
7	AM-6600-9P/6D-TH08	Power support support plate (right)			
8	AM-6600-9P/6D-TH09	Hexagon head bolt			
9	AM-6600-9P/6D-TH10	Large washers			
10	AM-6600-9P/6D-TH11	Standard spring washer			
11	AM-6600-9P/6D-TH12	Type 1 hexagon nut			
12	AM-6600-9P/6D-TH13	Hexagon flange bolt			
13	AM-6600-9P/6D-TH14	Hexagon head bolt			
14	AM-6600-9P/6D-TH15	Hexagon flange nut			
15	AM-6600-9P/6D-TH16	Hexagon flange bolt			

# Shift handle, tensioner parts - J



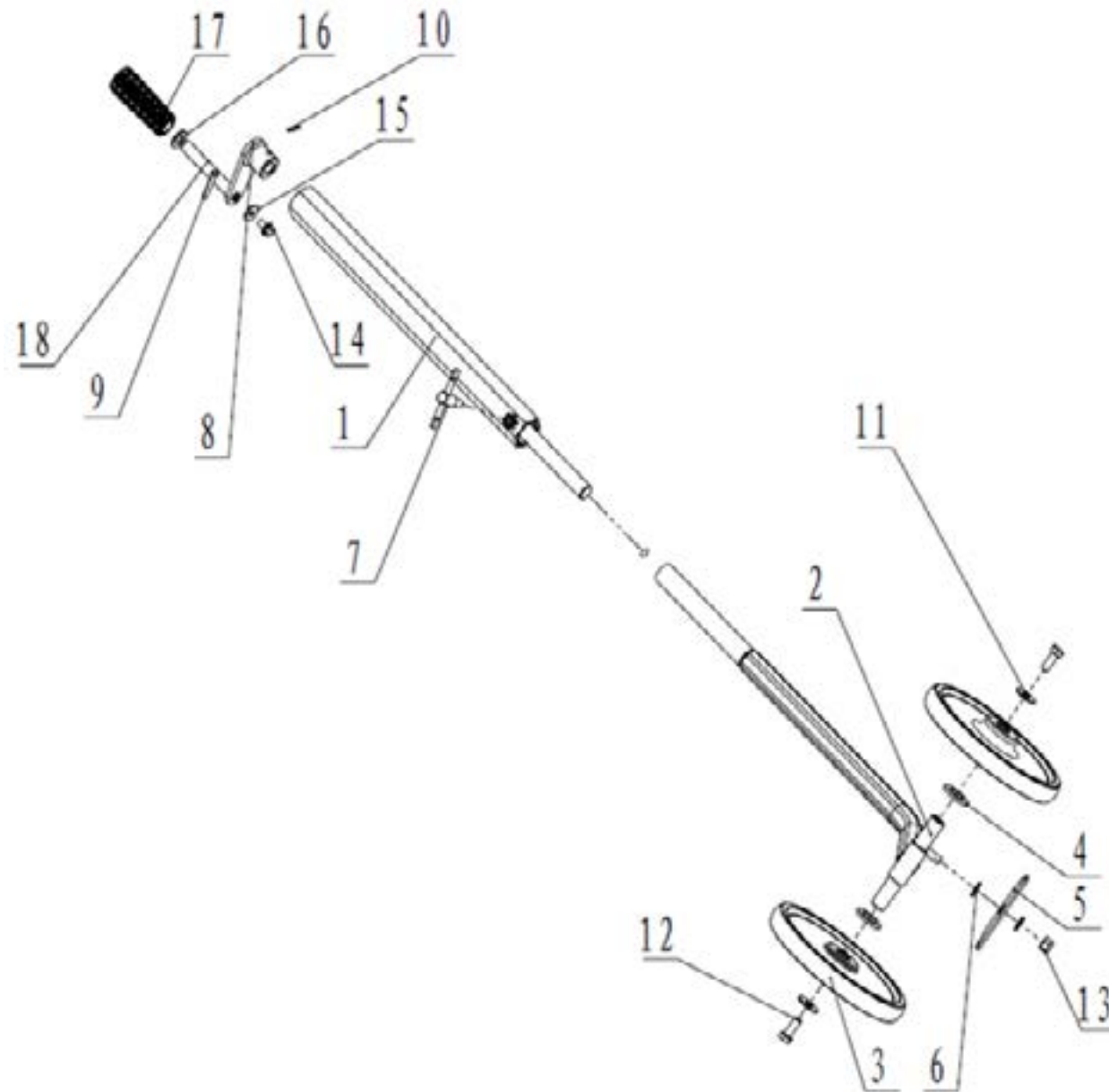


## Pulleys, Belt Guard Parts - K



SL NO	PART NO	DESCRIPTION	SL NO	PART NO	DESCRIPTION
1	AM-6600-9P/6D-TK01	Hexagon flange bolt			
2	AM-6600-9P/6D-TK02	Type 1 hexagon lock nut with non-metallic insert			
3	AM-6600-9P/6D-TK03	Large washers			
4	AM-6600-9P/6D-TK04	Belt guard support rod			
5	AM-6600-9P/6D-TK05	Active pulley bottom plate			
6	AM-6600-9P/6D-TK06	Hexagon flange bolt			
7	AM-6600-9P/6D-TK07	Extra large washers			
8	AM-6600-9P/6D-TK08	Flat key			
9	AM-6600-9P/6D-TK09	Driven pulley			
10	AM-6600-9P/6D-TK10	Hexagon flange nut			
11	AM-6600-9P/6D-TK11	Bushing			
12	AM-6600-9P/6D-TK12	Active pulley			
13	AM-6600-9P/6D-TK13	Hexagon flange bolt			
14	AM-6600-9P/6D-TK14	Flat key			
15	AM-6600-9P/6D-TK15	Belt guard			
16	AM-6600-9P/6D-TK16	Agricultural machinery V belt			

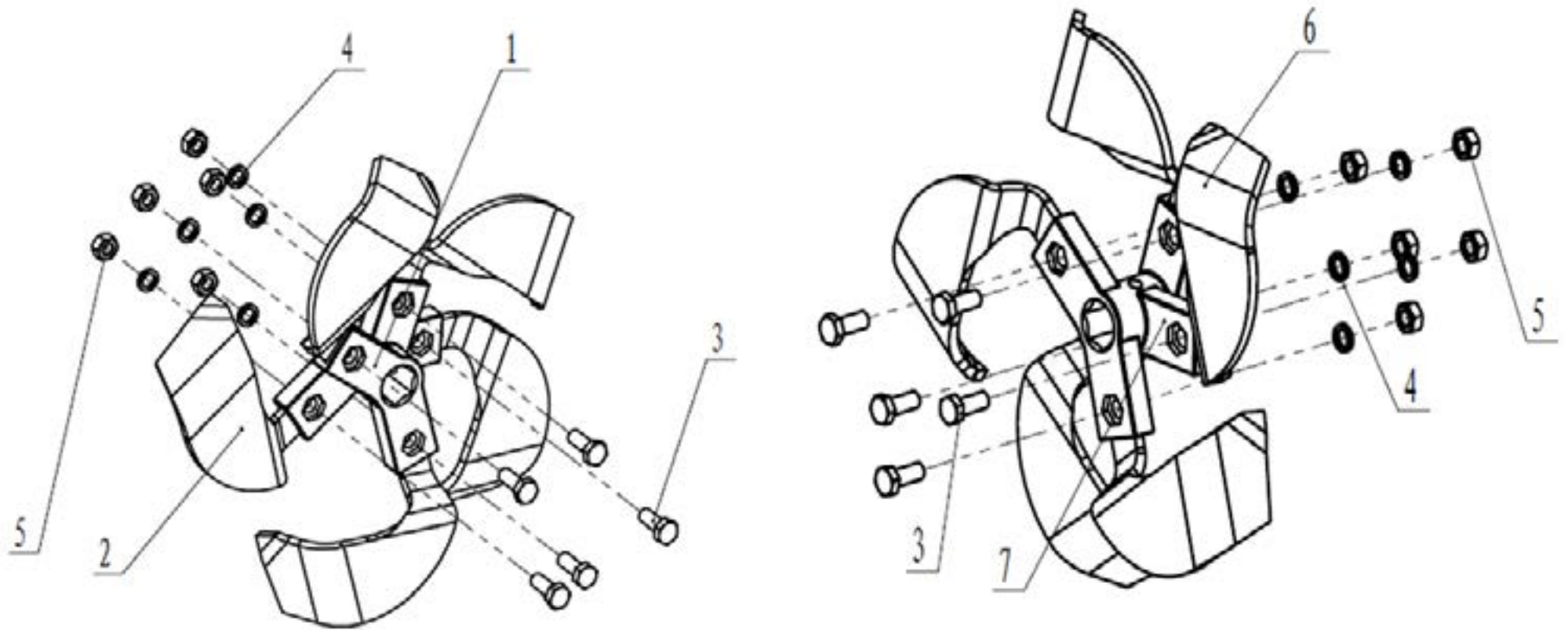
## Depth-limiting wheel parts - L





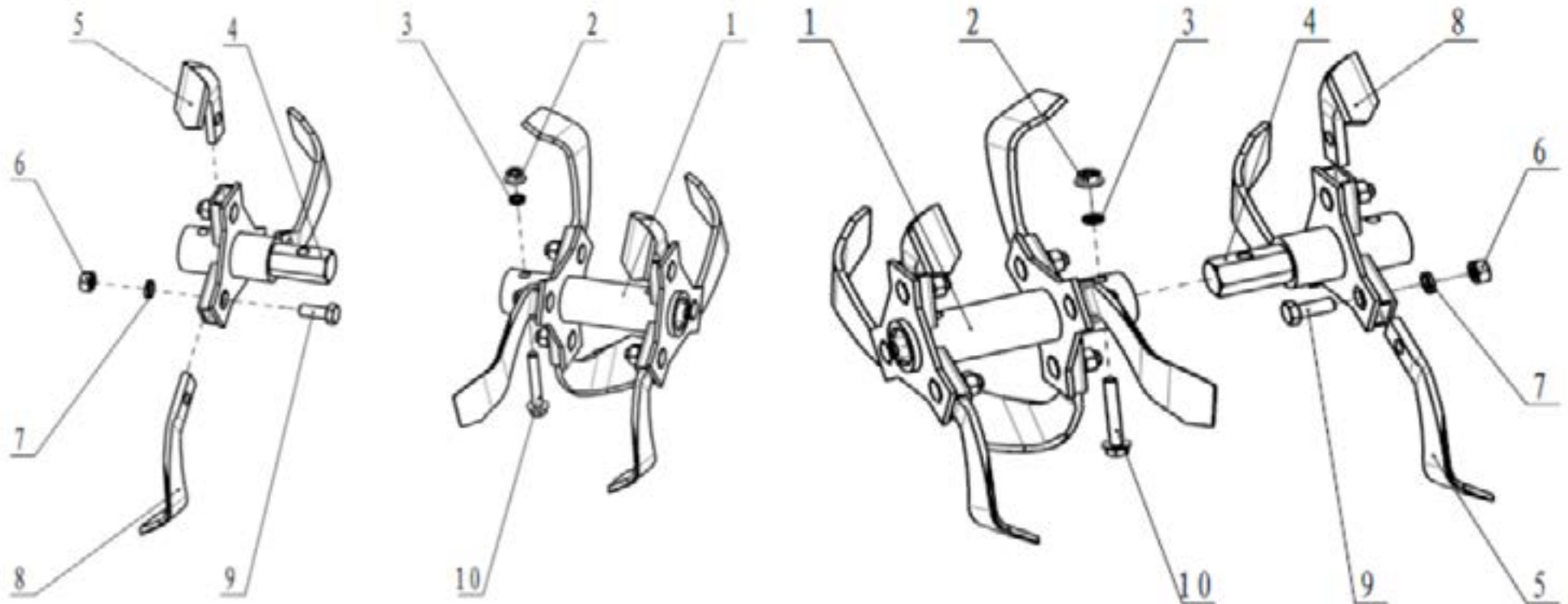
SL NO	PART NO	DESCRIPTION	SL NO	PART NO	DESCRIPTION
1	AM-6600-9P/6D-TL01	Lengthen the rear wheel connecting rod	17	AM-6600-9P/6D-TL17	Shock absorption grip
2	AM-6600-9P/6D-TL02	Depth-limiting wheel bracket combination	18	AM-6600-9P/6D-TL18	Adjusting handle connecting rod
3	AM-6600-9P/6D-TL03	Rear wheel			
4	AM-6600-9P/6D-TL04	Flat washer			
5	AM-6600-9P/6D-TL05	Mudguard			
6	AM-6600-9P/6D-TL06	Flat washer			
7	AM-6600-9P/6D-TL07	Lock the small handle			
8	AM-6600-9P/6D-TL08	Adjusting handle connecting block			
9	AM-6600-9P/6D-TL09	Pin shaft			
10	AM-6600-9P/6D-TL10	Circlip A			
11	AM-6600-9P/6D-TL11	Large washers			
12	AM-6600-9P/6D-TL12	Hexagon head bolt			
13	AM-6600-9P/6D-TL13	Type 1 hexagon lock nut with non-metallic insert			
14	AM-6600-9P/6D-TL14	Hexagon flange bolt			
15	AM-6600-9P/6D-TL15	Large washers			
16	AM-6600-9P/6D-TL16	Flat washer			

# Ditching blades parts - M



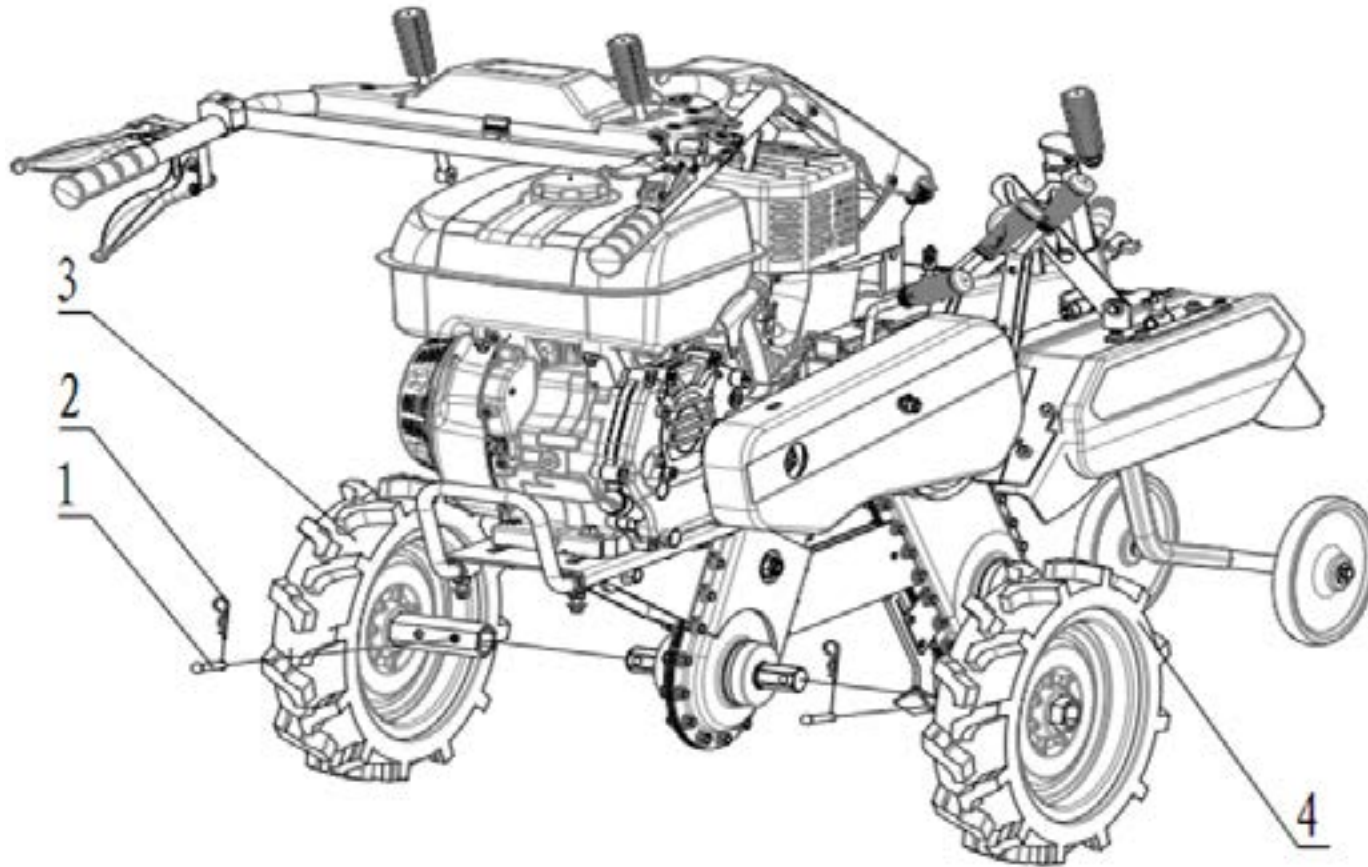


# Three-piece (2+1) group rotary tiller assembly- N










## WHEEL ASSY - P



SL NO	PART NO	DESCRIPTION
1	AM-6600-9P/6D-TP01	Pin
2	AM-6600-9P/6D-TP02	circlip B
3	AM-6600-9P/6D-TP03	Walking wheel assembly/3.50-7/solid tire/right
4	AM-6600-9P/6D-TP04	Walking wheel assembly/3.50-7/solid tire/left

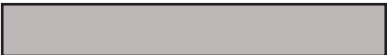




# WARRANTY CARD

## CUSTOMER COPY

DATE _____	DATE OF DELIVERY _____	DEALERS OFFICIAL SEAL	DEALERS SIGN _____
PURCHASERS NAME & ADDRESS _____ _____	 CUSTOMER SIGN		
PRODUCT NAME	PRODUCT SERIAL NO.	INVOICE/DN NO.	
			






I/Will accept the terms and conditions of warranty as in the warranty card

## DEALERS COPY

DATE _____	DATE OF DELIVERY _____	DEALERS OFFICIAL SEAL	DEALERS SIGN _____
PURCHASERS NAME & ADDRESS _____ _____	 CUSTOMER SIGN		
PRODUCT NAME	PRODUCT SERIAL NO.	INVOICE/DN NO.	
			

I/Will accept the terms and conditions of warranty as in the warranty card

## COMPANY COPY

DATE _____	DATE OF DELIVERY _____	DEALERS OFFICIAL SEAL	DEALERS SIGN _____
PURCHASERS NAME & ADDRESS _____ _____	 CUSTOMER SIGN		
PRODUCT NAME	PRODUCT SERIAL NO.	INVOICE/DN NO.	
			

I/Will accept the terms and conditions of warranty as in the warranty card

1. LIMITED WARRANTY PERIOD : For a period of six months from the date of Sale / delivery of the product which ever is earlier. 2. LIMITED WARRANTY OBLIGATION : Replacement of defective part(s) by authorized dealer are free of charges. If found defective by reasons of defective material / poor workmanship, parts will be replaced and there will be no value re-imburement. 3. TERMS & CONDITIONS : a. Claims under warranty will be accepted on submission of Warranty Card duly filled and stamped by authorized dealer together with the original purchase document. : b. Shipping / transportation / Incidental charges incurred in replacing defective parts under warranty shall be borne by the purchaser

WARRANTY null & void if

- (i) Lack of maintenance, (ii) Incorrect use of the machine or tampering, (iii) Use of non-genuine spare parts, (iv) Usage of acids, solvents, or any flammable materials, (v) Non-usage of filter water / clear water / soft water & using water above 40°C temperature, (vi) While using the pressure washers to draw water which is contaminated with dust & solvents (eg. paint thinners, gasoline, oil, etc.), (vii) Repair done by unauthorized service people, (viii) Those parts subject to wear & tear due to normal operations and plastic parts, rubber items etc, (ix) Loose connections, faulty electrical fixtures & fluctuations in power supply.
- 4. Should any failure occur during or after the warranty period, customer does not have the right to interrupt payment / price discount.
- 5. Incidental or consequential damages like inconvenience commercial loss, loss of tie, mental agony etc.
- 6. Loss of any nature due to operation or non-operation is not covered under warranty.
- 7. All free service are at Dealer's service point only.
- 8. Warranty ceases if service is not done periodically.
- 9. The attached card should be completed and returned to Ratnagiri Impex Pvt. Ltd. for registration immediately after sale / delivery.
- 10. The warranty is void unless you register the warranty card with Ratnagiri Impex Pvt. Ltd.
- 11. The decision of Ratnagiri Impex Pvt. Ltd., in settling the warranty is final in all respects.
- 12. All disputes are subject to Bangalore Courts Jurisdiction

1. LIMITED WARRANTY PERIOD : For a period of six months from the date of Sale / delivery of the product which ever is earlier. 2. LIMITED WARRANTY OBLIGATION : Replacement of defective part(s) by authorized dealer are free of charges. If found defective by reasons of defective material / poor workmanship, parts will be replaced and there will be no value re-imburement. 3. TERMS & CONDITIONS : a. Claims under warranty will be accepted on submission of Warranty Card duly filled and stamped by authorized dealer together with the original purchase document. : b. Shipping / transportation / Incidental charges incurred in replacing defective parts under warranty shall be borne by the purchaser.

WARRANTY null & void if

- (i) Lack of maintenance, (ii) Incorrect use of the machine or tampering, (iii) Use of non-genuine spare parts, (iv) Usage of acids, solvents, or any flammable materials, (v) Non-usage of filter water / clear water / soft water & using water above 40°C temperature, (vi) While using the pressure washers to draw water which is contaminated with dust & solvents (eg. paint thinners, gasoline, oil, etc.), (vii) Repair done by unauthorized service people, (viii) Those parts subject to wear & tear due to normal operations and plastic parts, rubber items etc, (ix) Loose connections, faulty electrical fixtures & fluctuations in power supply.
- 4. Should any failure occur during or after the warranty period, customer does not have the right to interrupt payment / price discount.
- 5. Incidental or consequential damages like inconvenience commercial loss, loss of tie, mental agony etc.
- 6. Loss of any nature due to operation or non-operation is not covered under warranty.
- 7. All free service are at Dealer's service point only.
- 8. Warranty ceases if service is not done periodically.
- 9. The attached card should be completed and returned to Ratnagiri Impex Pvt. Ltd. for registration immediately after sale / delivery.
- 10. The warranty is void unless you register the warranty card with Ratnagiri Impex Pvt. Ltd.
- 11. The decision of Ratnagiri Impex Pvt. Ltd., in settling the warranty is final in all respects.
- 12. All disputes are subject to Bangalore Courts Jurisdiction

1. LIMITED WARRANTY PERIOD : For a period of six months from the date of Sale / delivery of the product which ever is earlier. 2. LIMITED WARRANTY OBLIGATION : Replacement of defective part(s) by authorized dealer are free of charges. If found defective by reasons of defective material / poor workmanship, parts will be replaced and there will be no value re-imburement. 3. TERMS & CONDITIONS : a. Claims under warranty will be accepted on submission of Warranty Card duly filled and stamped by authorized dealer together with the original purchase document. : b. Shipping / transportation / Incidental charges incurred in replacing defective parts under warranty shall be borne by the purchaser.

WARRANTY null & void if

- (i) Lack of maintenance, (ii) Incorrect use of the machine or tampering, (iii) Use of non-genuine spare parts, (iv) Usage of acids, solvents, or any flammable materials, (v) Non-usage of filter water / clear water / soft water & using water above 40°C temperature, (vi) While using the pressure washers to draw water which is contaminated with dust & solvents (eg. paint thinners, gasoline, oil, etc.), (vii) Repair done by unauthorized service people, (viii) Those parts subject to wear & tear due to normal operations and plastic parts, rubber items etc, (ix) Loose connections, faulty electrical fixtures & fluctuations in power supply.
- 4. Should any failure occur during or after the warranty period, customer does not have the right to interrupt payment / price discount.
- 5. Incidental or consequential damages like inconvenience commercial loss, loss of tie, mental agony etc.
- 6. Loss of any nature due to operation or non-operation is not covered under warranty.
- 7. All free service are at Dealer's service point only.
- 8. Warranty ceases if service is not done periodically.
- 9. The attached card should be completed and returned to Ratnagiri Impex Pvt. Ltd. for registration immediately after sale / delivery.
- 10. The warranty is void unless you register the warranty card with Ratnagiri Impex Pvt. Ltd.
- 11. The decision of Ratnagiri Impex Pvt. Ltd., in settling the warranty is final in all respects.
- 12. All disputes are subject to Bangalore Courts Jurisdiction





**FREE SERVICE COUPON (30DAYS/30HRS. WHICHEVER IS EARLIER)**

MODEL

SERIAL NUMBER

PDI DATE

SERVICE NO.

PURCHASE BILL NO.

DATE

DEALERS OFFICE SEAL

- 1. Check and test the fuel mixture
- 3. Check , clean and adjust the spark plug
- 5. Check and sparken the cutting tools
- 7. Start and check the noise, vibration, loosen etc..

OPERATIONS

- 2. check and clean the air filter
- 4. Check and adjust the carburetor tuning
- 6. Product familirisation on usage
- 8. Routine maintenance and shortage.

**FREE SERVICE COUPON (30DAYS/30HRS. WHICHEVER IS EARLIER)**

MODEL

SERIAL NUMBER

PDI DATE

SERVICE NO.

PURCHASE BILL NO.

DATE

DEALERS OFFICE SEAL

- 1. Check and test the fuel mixture
- 3. Check , clean and adjust the spark plug
- 5. Check and sparken the cutting tools
- 7. Start and check the noise, vibration, loosen etc..

OPERATIONS

- 2. check and clean the air filter
- 4. Check and adjust the carburetor tuning
- 6. Product familirisation on usage
- 8. Routine maintenance and shortage.

**FREE SERVICE COUPON (30DAYS/30HRS. WHICHEVER IS EARLIER)**

MODEL

SERIAL NUMBER

PDI DATE

SERVICE NO.

PURCHASE BILL NO.

DATE

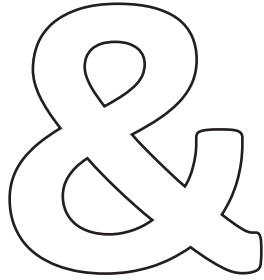
DEALERS OFFICE SEAL

- 1. Check and test the fuel mixture
- 3. Check , clean and adjust the spark plug
- 5. Check and sparken the cutting tools
- 7. Start and check the noise, vibration, loosen etc..

OPERATIONS

- 2. check and clean the air filter
- 4. Check and adjust the carburetor tuning
- 6. Product familirisation on usage
- 8. Routine maintenance and shortage.

# DOS

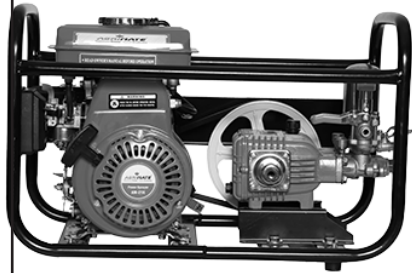
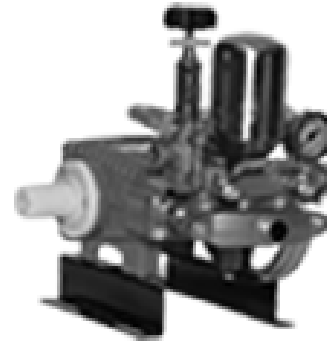


# DONT'S

1. Always read the instruction manual supplied along with the equipments and understand the correct installation and operating procedures before attempting to use the equipments.
2. It is important to use the personal protection equipments such as head helmet with visor, ear defenders, goggles, safety gloves, cut resistant shoes, trousers and jackets while operating potentially dangerous machines
3. Avoid untrained persons using the equipments. Children must not be allowed to handle these equipments
4. Always use genuine spares and accessories in repairs and usage to derive maximum life of the equipments.
5. Always keep the equipments in good working condition to minimize loss of output as well as to reduce the pollution and save the environment
6. Do not use the machine within range of persons unless they wear protective clothing
7. Do not operate the machine when fatigued or under the influence of alcohol or drugs
8. When the machine is running, please maintain a constant water supply. Without water circulation will damage the sealing rings of the machine.
9. For more query kindly contact for our Service Center/Dealer/ franchise

# Agrimate Army For Pest Control

ANY WHERE - ANY TIME - ANY CROP



Marketed by:  
**ratnagiri  
impex**  
BRINGING YOU THE FUTURE... NOW

**RATNAGIRI IMPEX PVT., LTD.,**

Annapurna House, #1 / 1G, 7th Cross, New  
Guddadahalli

Mysore Road, Bangalore - 560 026

Missed Call : 7393 938 938

Email: [ask@agrimart.in](mailto:ask@agrimart.in)