

TRACK TROLLY/WHEELED TRANSPORTER

AM-MT-320M



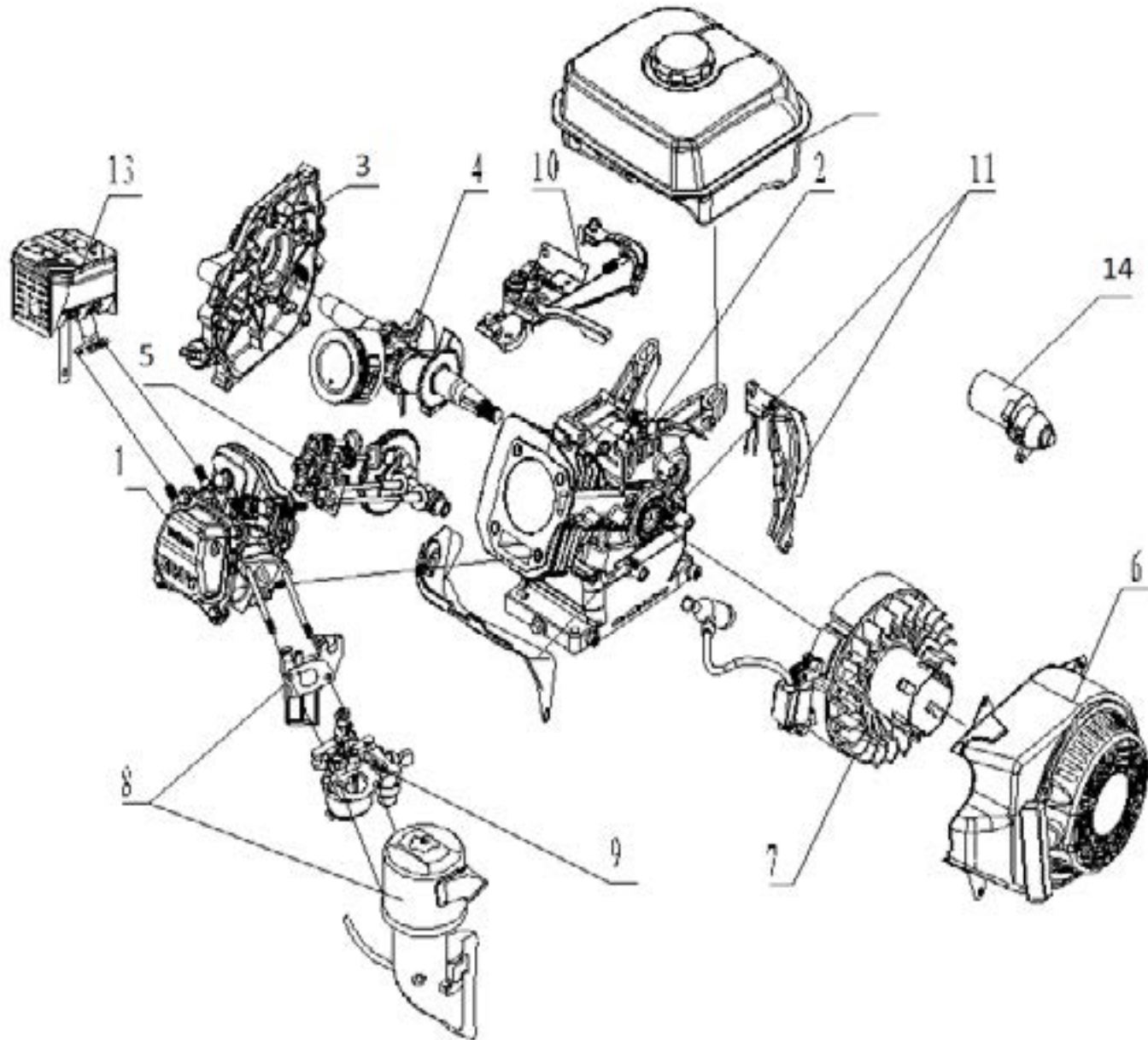
AM-MT-320M-WT



ENGINE DIAGRAM WITH PART LIST

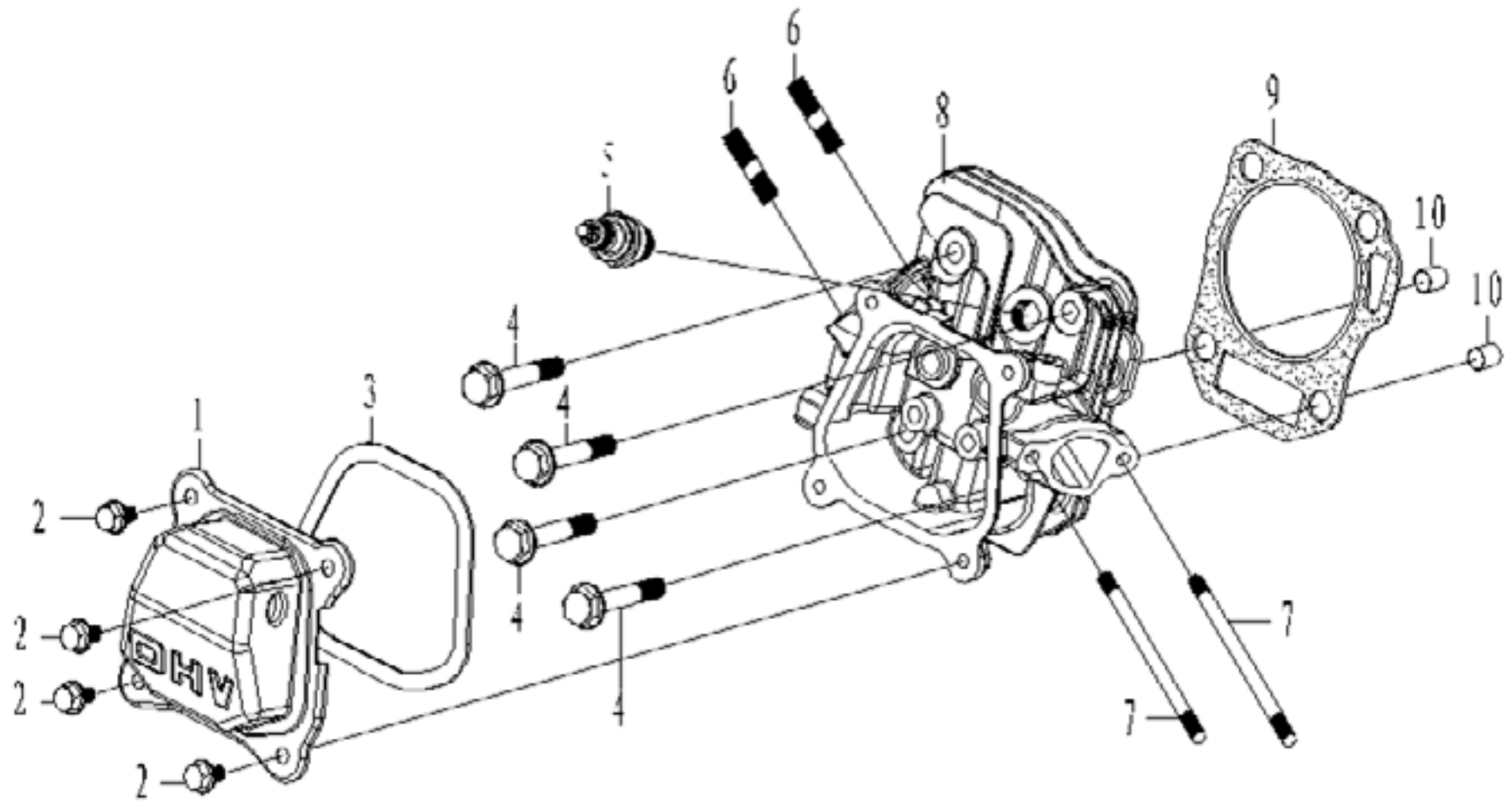


ENGINE ASSY - A



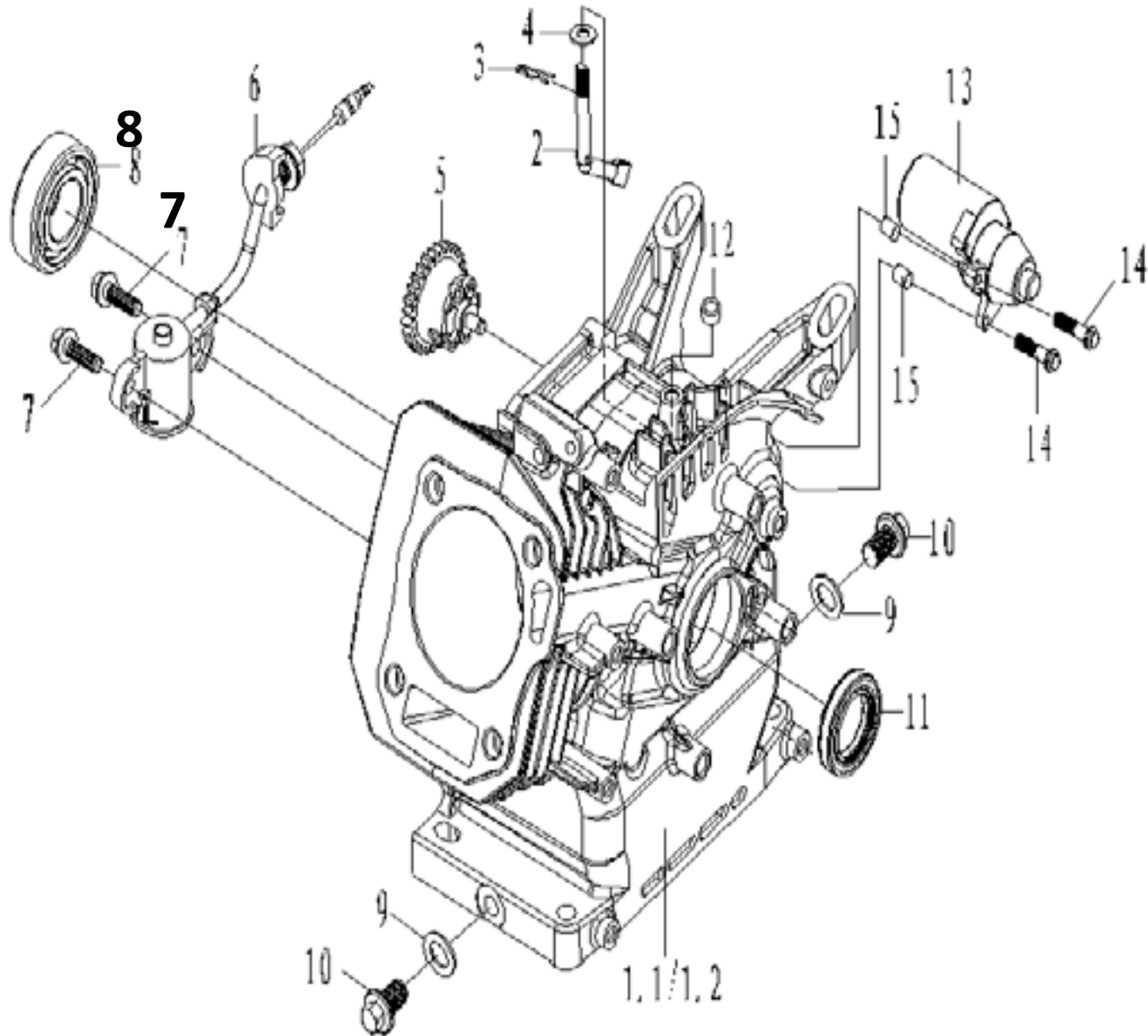
SL NO	PART NO	DESCRIPTION	SL NO	PART NO	DESCRIPTION
1	AM-170FPK-EA01	HEAD ASSY			
2	AM-170FPK-EA02	CRANKCASE ASSY			
3	AM-170FPK-EA03	CRANKCASE COVER ASSY			
4	AM-170FPK-EA04	CRANK-CONNECTING ROD ASSY			
5	AM-170FPK-EA05	VALVE TRAIN ASSY			
6	AM-170FPK-EA06	STAR ASSY			
7	AM-170FPK-EA07	FLYWHEEL AND IGNITION ASSY			
8	AM-170FPK-EA08	INLET ASSY			
9	AM-170FPK-EA09	CARBURETOR CIRCUIT ASSY			
10	AM-170FPK-EA10	THROTTLE CONTROL ASSY			
11	AM-170FPK-EA11	WIND DEFLECTOR			
12	AM-170FPK-EA12	FULE OIL ASSY			
13	AM-170FPK-EA13	EXHAUST ASSY			
14	AM-170FPK-EA14	START MOTOR ASSY			

HEAD ASSAMBLEY-B



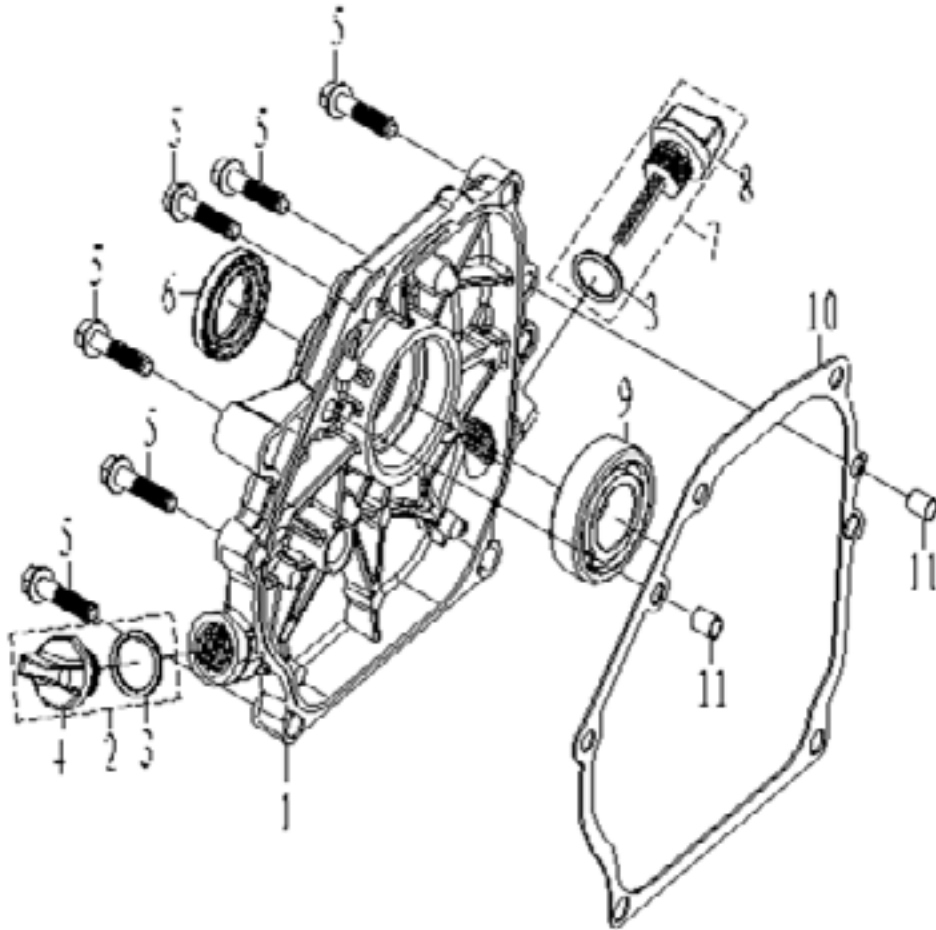
SL NO	PART NO	DESCRIPTION	SL NO	PART NO	DESCRIPTION
1	AM-170FPK-EB01	HEAD COVER			
2	AM-170FPK-EB02	BOLT			
3	AM-170FPK-EB03	HEAD COVER GASKET			
4	AM-170FPK-EB04	BOLT			
5	AM-170FPK-EB05	SPARK PLUG			
6	AM-170FPK-EB06	STUD			
7	AM-170FPK-EB07	STUD			
8	AM-170FPK-EB08	CYLINDER HEAD ASSY			
9	AM-170FPK-EB09	CYLINDER HEAD GASKET			
10	AM-170FPK-EB10	DOWEL PIN			

CRANK CASE ASSY-C



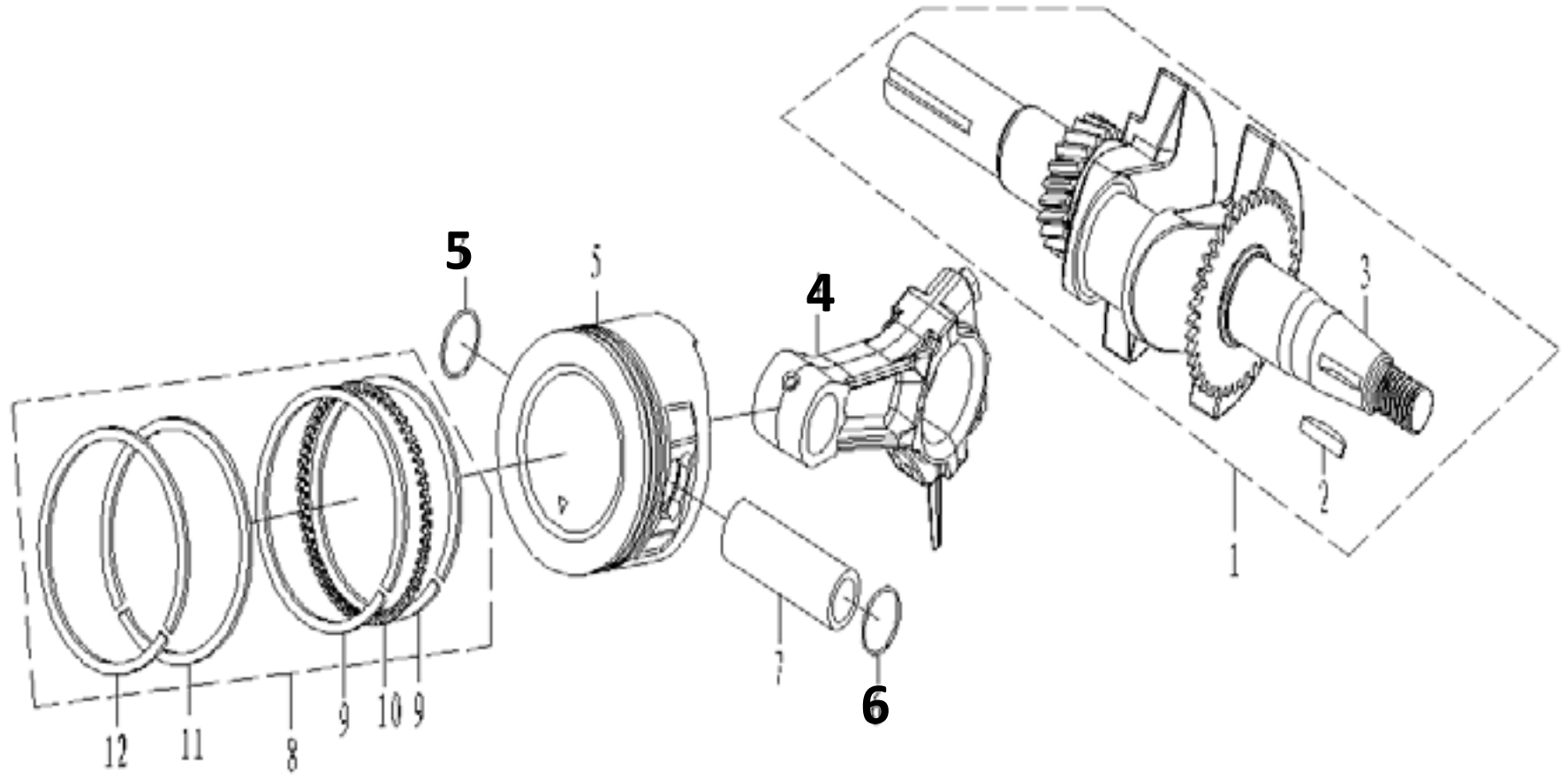
SL NO	PART NO	DESCRIPTION	SL NO	PART NO	DESCRIPTION
1.1	AM-170FPK-EC1.1	CRANKCASE COMP	10	AM-170FPK-EC10	DRAIN PLUG BOLT
1.2	AM-170FPK-EC1.2	CRANKCASE COMP	11	AM-170FPK-EC11	OIL SEAL
2	AM-170FPK-EC02	GOVERNOR ARM SHAFT	12	AM-170FPK-EC12	OIL SEAL
3	AM-170FPK-EC03	GOVERNOR ARM SHAFT LOCKER	13	AM-170FPK-EC13	START MOTOR ASSY
4	AM-170FPK-EC04	PLAIN WASHER	14	AM-170FPK-EC14	BOLT
5	AM-170FPK-EC05	GOVERNOR KIT	15	AM-170FPK-EC15	DOWEL PIN
6	AM-170FPK-EC06	OIL SENSOR			
7	AM-170FPK-EC07	BOLT			
8	AM-170FPK-EC08	BEARING			
9	AM-170FPK-EC09	PLAIN WASHER			

CRANK CASE COVER ASSY-D



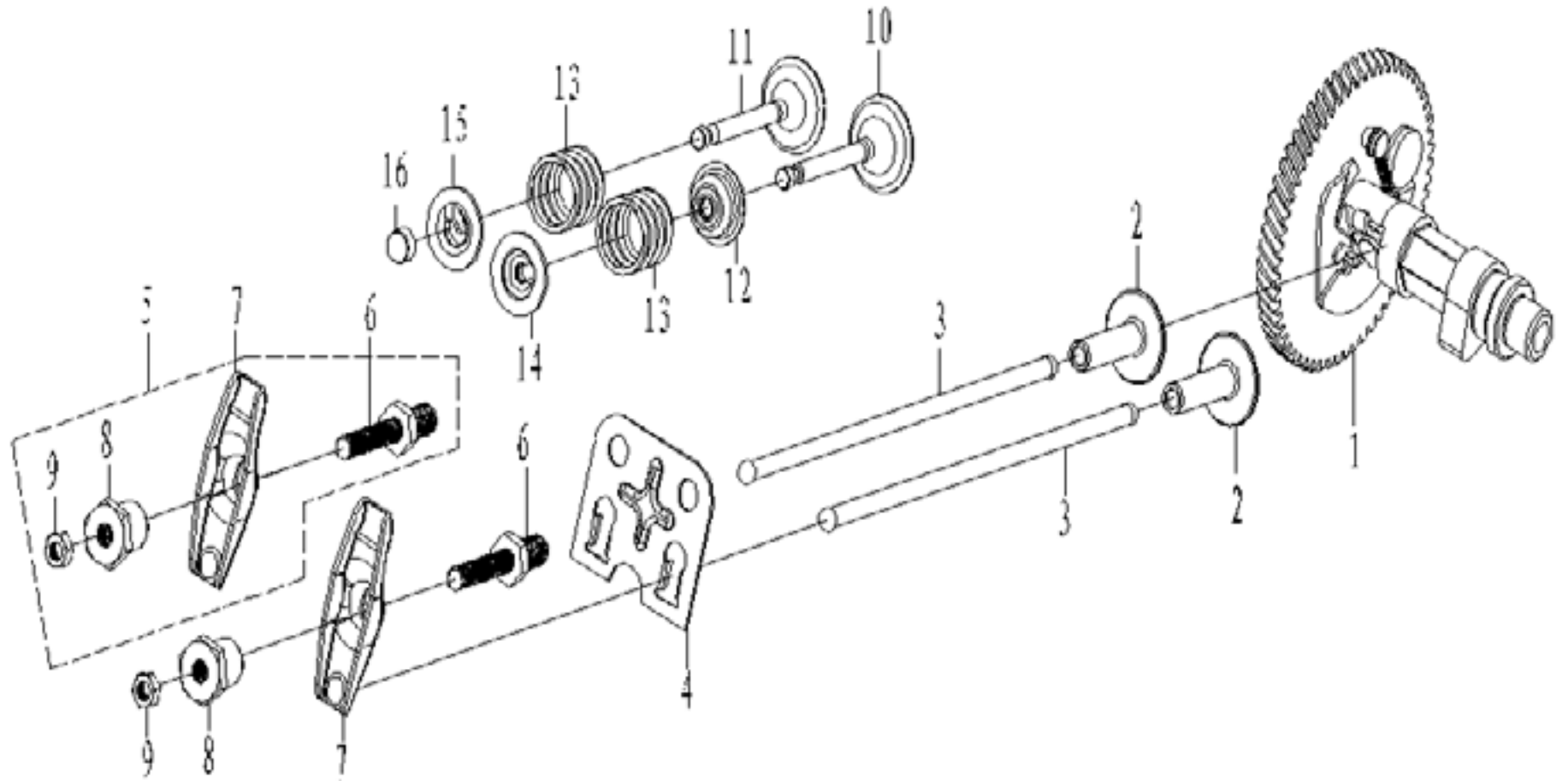
SL NO	PART NO	DESCRIPTION
1	AM-170FPK-ED01	CRANKCASE COVER
2	AM-170FPK-ED02	OIL FILLER PLUG ASSY
3	AM-170FPK-ED03	DIPSTICK SEALING RING
4	AM-170FPK-ED04	OIL FILLER PLUG
5	AM-170FPK-ED05	BOLT
6	AM-170FPK-ED06	OIL SEAL
7	AM-170FPK-ED07	DIPSTICK ASSY
8	AM-170FPK-ED08	DIPSTICK
9	AM-170FPK-ED09	BEARING
10	AM-170FPK-ED10	CASE COVER GASKET
11	AM-170FPK-ED11	DOWEL PIN

CRANK CONNECTING ROD ASSY - E



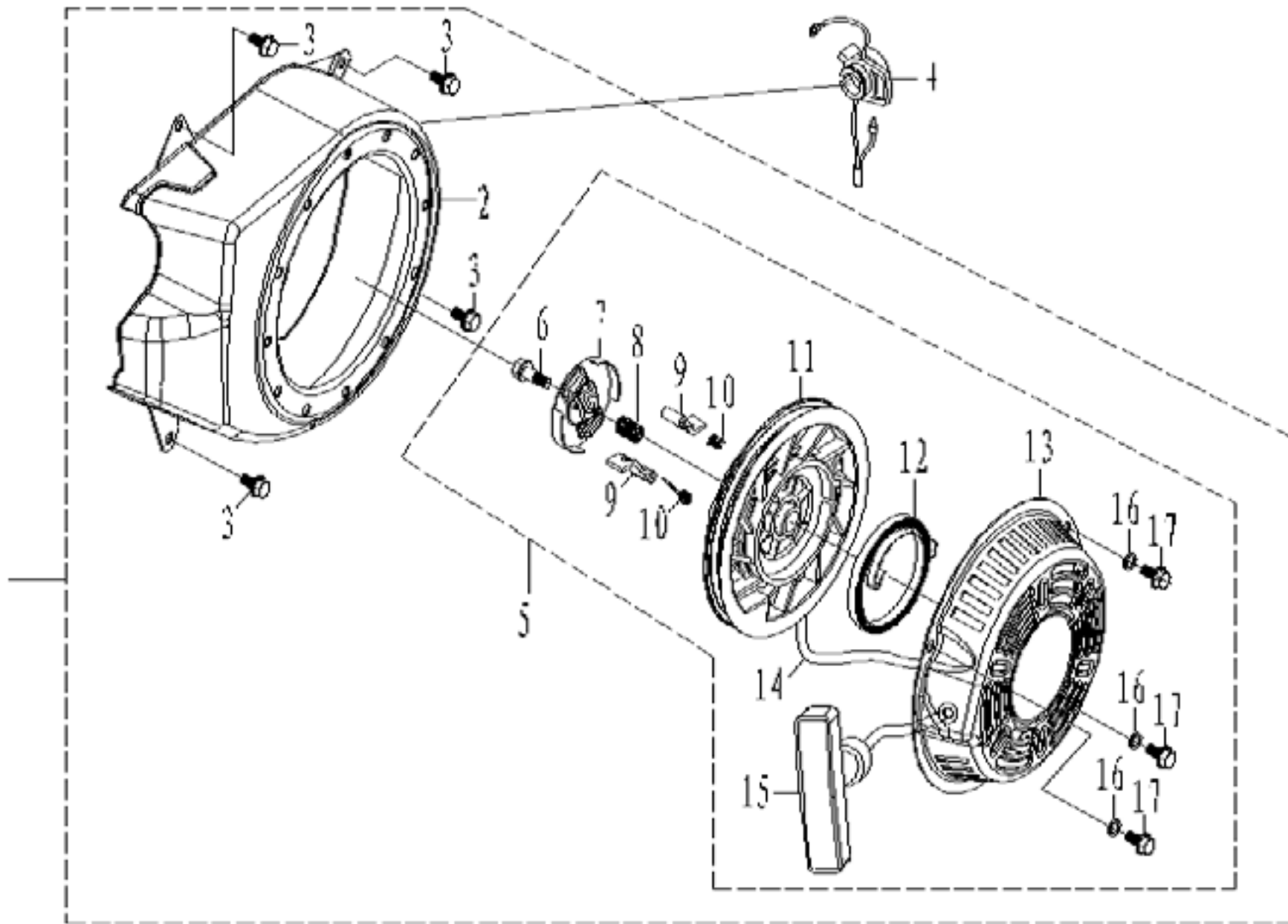
SL NO	PART NO	DESCRIPTION	SL NO	PART NO	DESCRIPTION
1	AM-170FPK-EE01	CRANK SHAFT ASSY			
2	AM-170FPK-EE02	SPECIAL WOODRUFF KEY			
3	AM-170FPK-EE03	CRANK SHAFT			
4	AM-170FPK-EE04	CONNECTING ROD ASSY			
5	AM-170FPK-EE05	PISTON			
6	AM-170FPK-EE06	CLIP PISTON PIN			
7	AM-170FPK-EE07	PIN PISTON			
8	AM-170FPK-EE08	PISTON RING ASSY			
9	AM-170FPK-EE09	FILM LOOP			
10	AM-170FPK-EE10	BUSH RING			
11	AM-170FPK-EE11	GAS RING TWO			
12	AM-170FPK-EE12	GAS RING ONE			

VALVE TRAIN ASSY - F



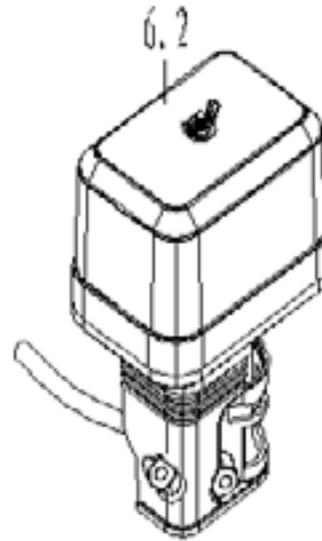
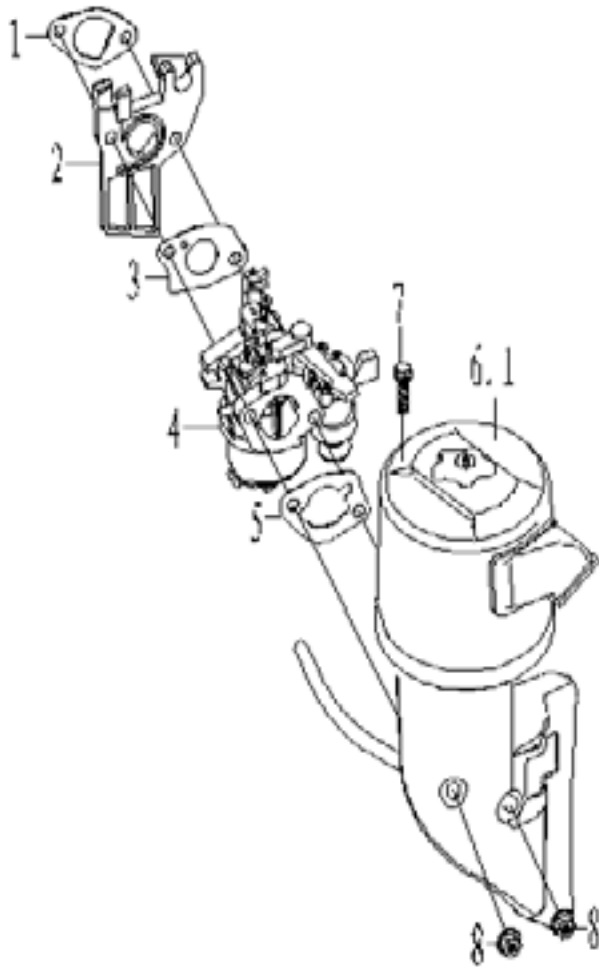
SL NO	PART NO	DESCRIPTION	SL NO	PART NO	DESCRIPTION
1	AM-170FPK-EF01	CAMSHAFT ASSY	10	AM-170FPK-EF10	INLET VALVE
2	AM-170FPK-EF02	VALVE LIFTER	11	AM-170FPK-EF11	EXHAUST VALVE
3	AM-170FPK-EF03	PUSH ROD	12	AM-170FPK-EF12	VALVE SEAL
4	AM-170FPK-EF04	PUSH ROD GUIDE PLATE	13	AM-170FPK-EF13	VALVE SPRING
5	AM-170FPK-EF05	VALVE ROCKER ARM ASSY	14	AM-170FPK-EF14	INTAKE VALVE SPRING SEAT
6	AM-170FPK-EF06	PIVOT BOLT	15	AM-170FPK-EF15	EXHAUST VALVE SPRING SEAT
7	AM-170FPK-EF07	VALVE ROCKER ARM	16	AM-170FPK-EF16	EX. VALVE ADJUSTER
8	AM-170FPK-EF08	VALVE ADJUSTING NUT			
9	AM-170FPK-EF09	PIVOT LOCKING NUT			

STARTER ASSY - G



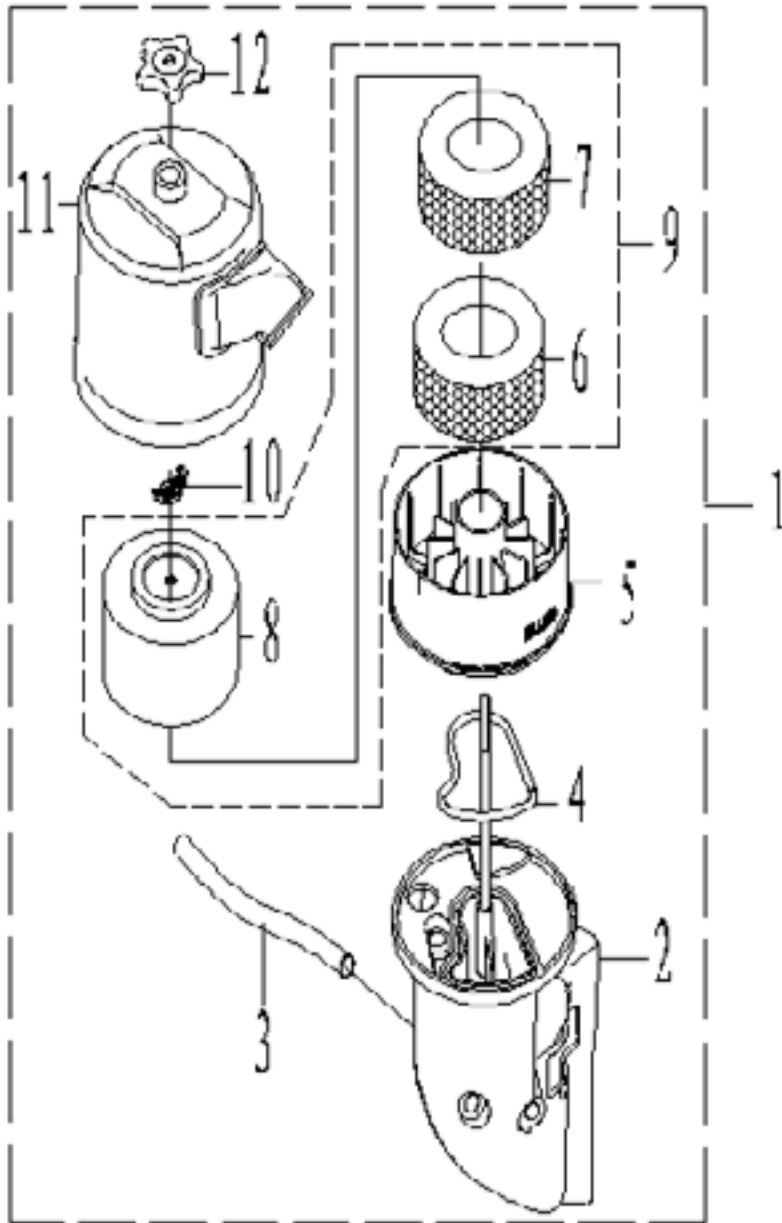
SL NO	PART NO	DESCRIPTION	SL NO	PART NO	DESCRIPTION
1	AM-170FPK-EG01	RECOIL STARTER ASSY	10	AM-170FPK-EG10	RETURN SPRING
2	AM-170FPK-EG02	WIND SCOOPER	11	AM-170FPK-EG11	RECOIL STARTER REEL
3	AM-170FPK-EG03	BOLT	12	AM-170FPK-EG12	STARTER RETURN SPRING
4	AM-170FPK-EG04	ENGINE STOP SWITH ASSY	13	AM-170FPK-EG13	RECOIL STARTER COVER COMP
5	AM-170FPK-EG05	RECOIL STARTER COMP	14	AM-170FPK-EG14	RECOIL STARTER ROPE
6	AM-170FPK-EG06	CENTER POSITION BOLT	15	AM-170FPK-EG15	HANDLE STARTER
7	AM-170FPK-EG07	GUIDE RATCHET	16	AM-170FPK-EG16	RECOIL STARTER ASSY
8	AM-170FPK-EG08	CENTER POSITION SPRING	17	AM-170FPK-EG17	BOLT
9	AM-170FPK-EG09	STARTER RATCHET			

INLET ASSY - H



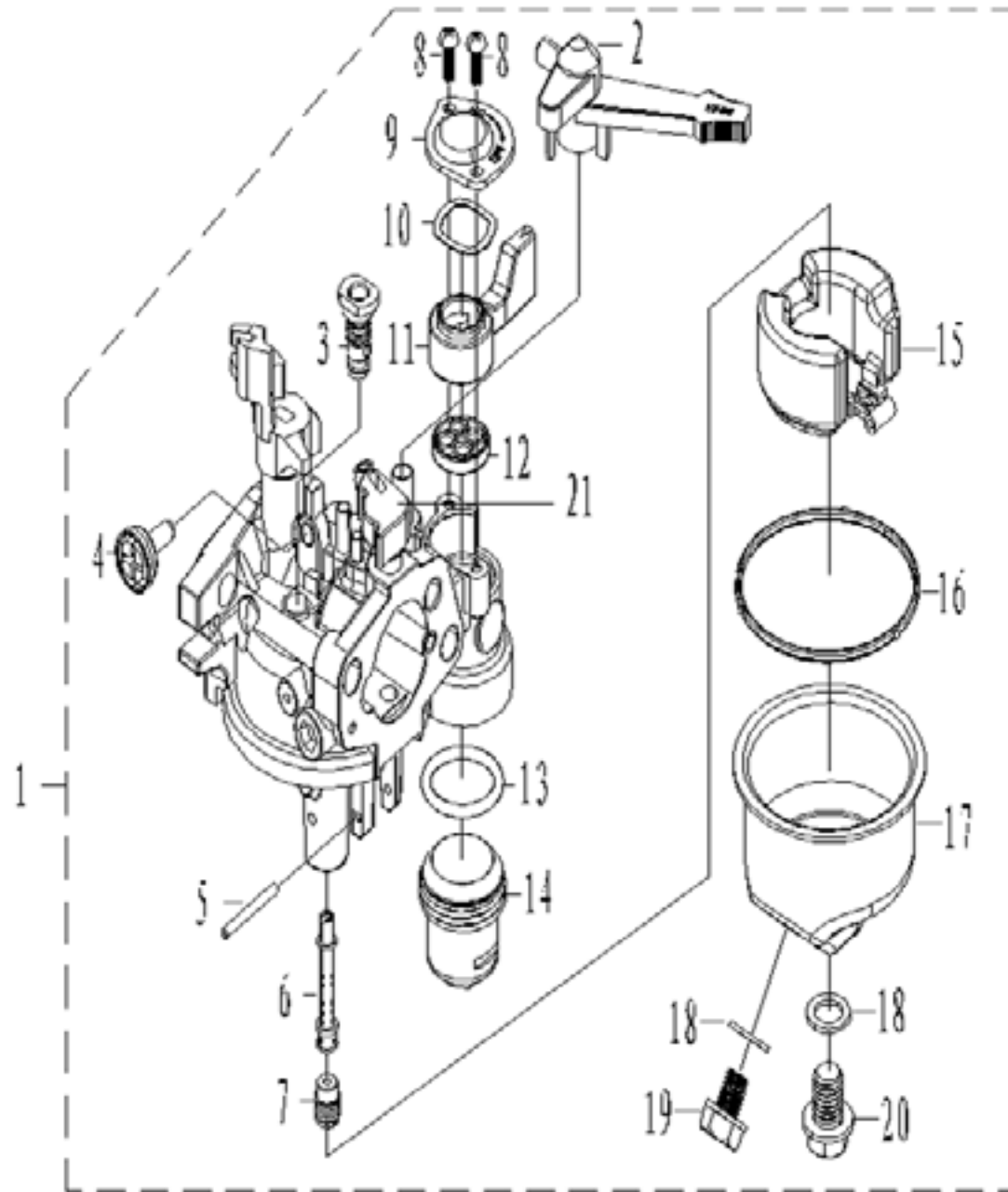
SL NO	PART NO	DESCRIPTION
1	AM-170FPK-EH01	AIR INTAKE WASHER
2	AM-170FPK-EH02	INSULATOR
3	AM-170FPK-EH03	CARBURETOR PACKING
4	AM-170FPK-EH04	CARBURETOR
5	AM-170FPK-EH05	AIR CLEANER GASKET
6	AM-170FPK-EH06	AIR CLEANER ASSY
7	AM-170FPK-EH07	AIR CLEANER ASSY
8	AM-170FPK-EH08	BOLT
9	AM-170FPK-EH09	NUT

AIR FILTER ASSY - J



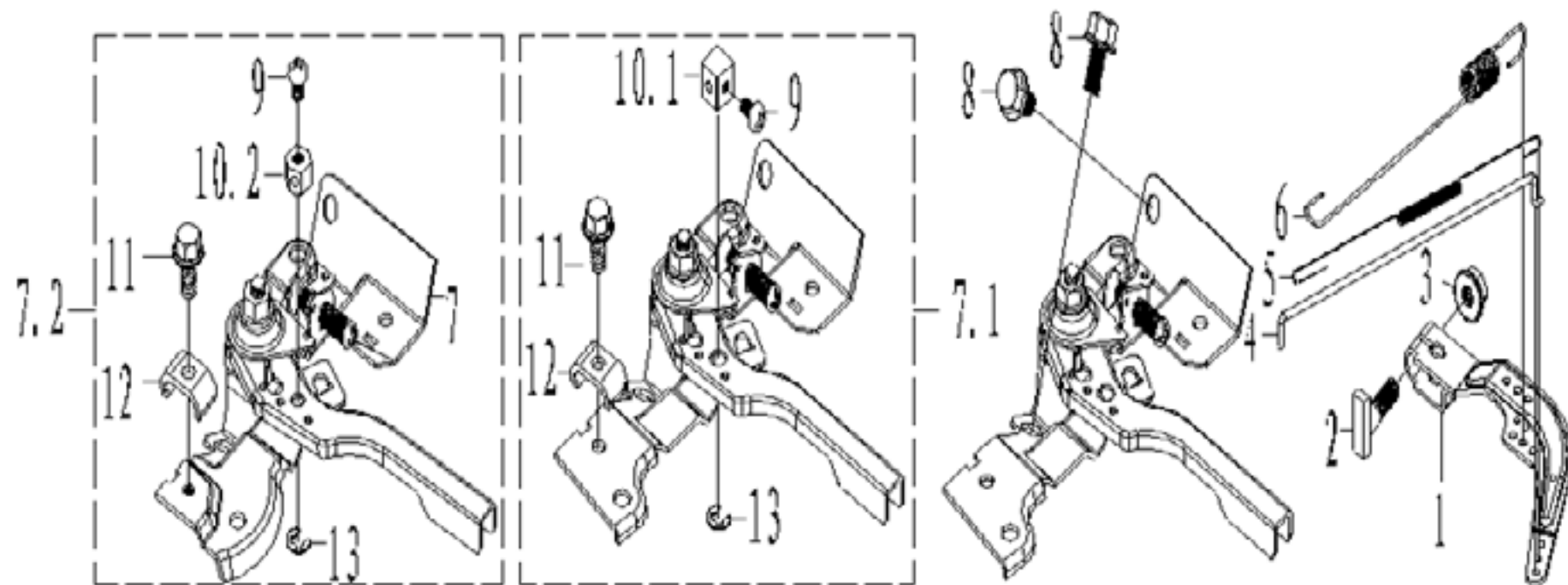
SL NO	PART NO	DESCRIPTION
1	AM-170FPK-EJ01	AIR CLEANER ASSY
2	AM-170FPK-EJ02	AIR CLEANER CASE
3	AM-170FPK-EJ03	WASTE GAS PIPE
4	AM-170FPK-EJ04	PACKING
5	AM-170FPK-EJ05	Air filter oil filter oil cup
6	AM-170FPK-EJ06	AIR CLEANER SPENGE ELEMENT
7	AM-170FPK-EJ07	AIR CLEANER SPENGE ELEMENT
8	AM-170FPK-EJ08	SEAL COVER
9	AM-170FPK-EJ09	AIR CLEANER SPENGE ELEMENT
10	AM-170FPK-EJ10	BUTTERFLY NUT
11	AM-170FPK-EJ11	AIR CLEANER COVER
12	AM-170FPK-EJ12	Air filter cover locking handle

CARBURETOR CIRCUIT ASSY - K



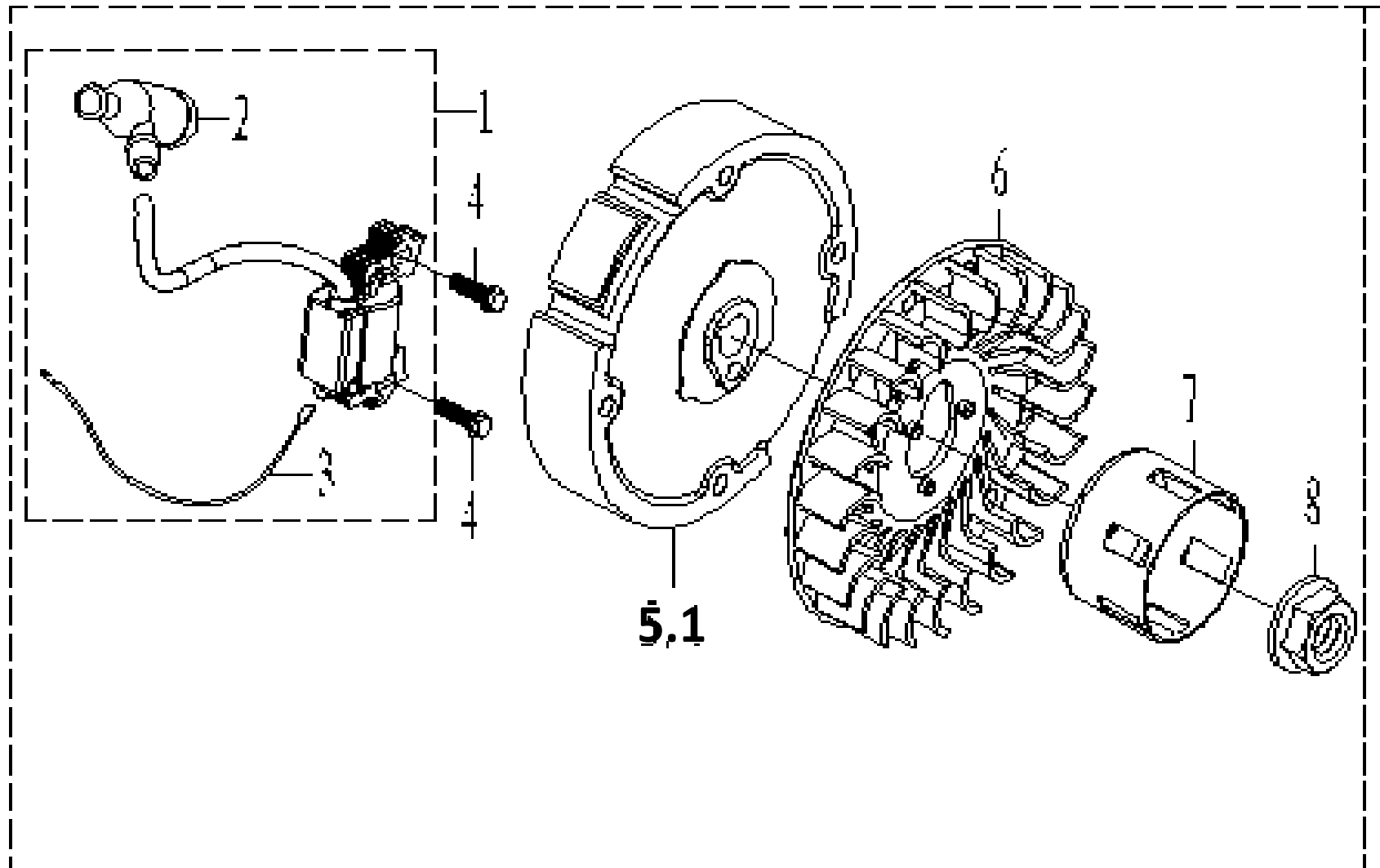
SL NO	PART NO	DESCRIPTION	SL NO	PART NO	DESCRIPTION
1	AM-170FPK-EK01	CARBURETOR	12	AM-170FPK-EK12	FUEL SWITCH SEAL
2	AM-170FPK-EK02	CHOKE PLATE HANDLE	13	AM-170FPK-EK13	SEDIMENT BOWL SEAL
3	AM-170FPK-EK03	IDLE HOLE COMPONENT	14	AM-170FPK-EK14	SEDIMENT BOWL
4	AM-170FPK-EK04	PILOT JET SET	15	AM-170FPK-EK15	FLOAT SET
5	AM-170FPK-EK05	PIN	16	AM-170FPK-EK16	FLOAT CHAMBER SET
6	AM-170FPK-EK06	MAIN NOZZLE	17	AM-170FPK-EK17	WASHER
7	AM-170FPK-EK07	MAIN JET	18	AM-170FPK-EK18	GASKET
8	AM-170FPK-EK08	SCREW	19	AM-170FPK-EK19	DRAIN PLUG BOLT
9	AM-170FPK-EK09	FUEL SWITCH COVER PLATE	20	AM-170FPK-EK20	BOLT
10	AM-170FPK-EK10	WASHER	21	AM-170FPK-EK21	CHOKE SHAFT
11	AM-170FPK-EK11	FUEL SWITCH HANDLE			

THROTTLE CONTROL ASSY - L

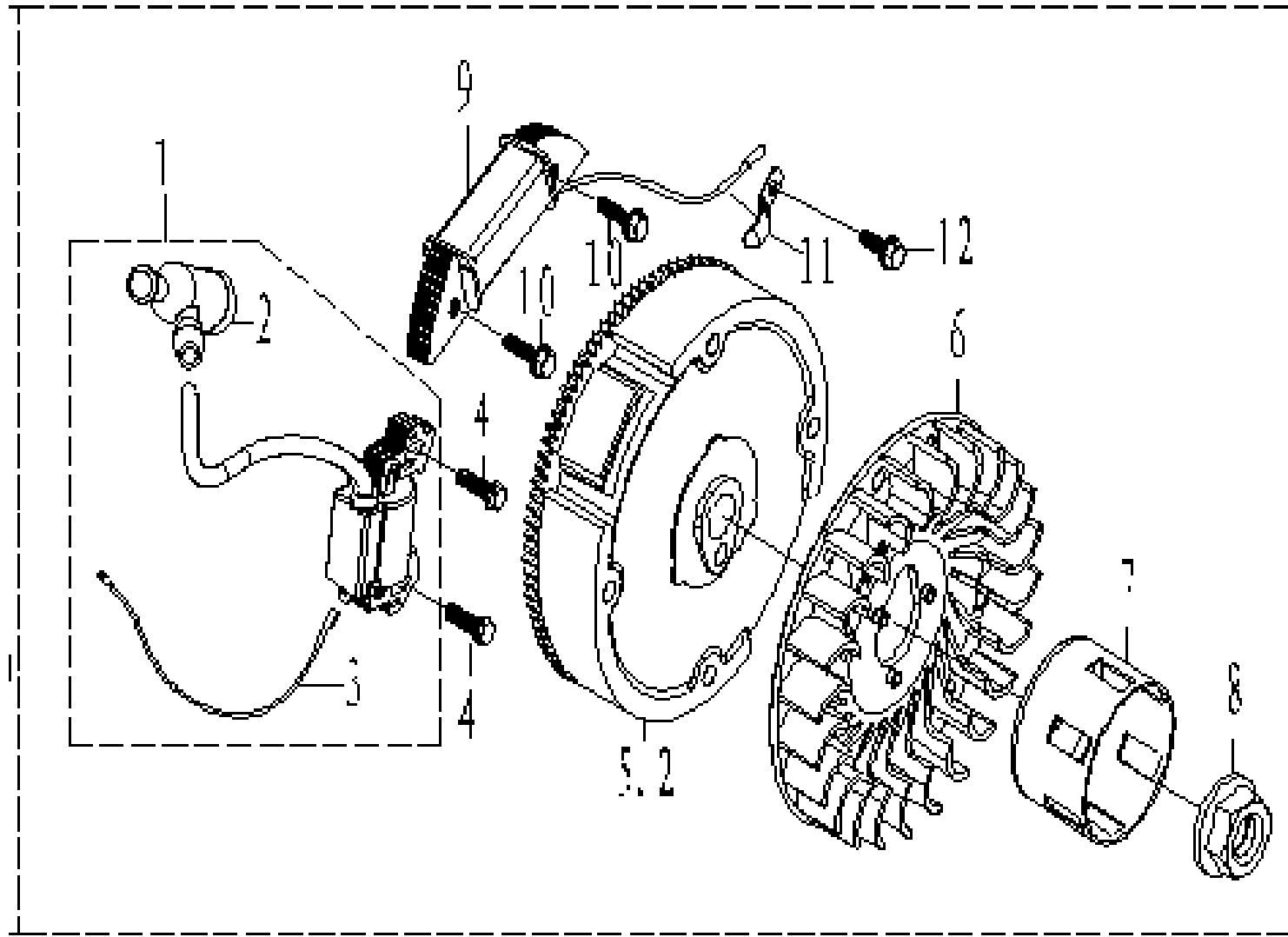


SL NO	PART NO	DESCRIPTION	SL NO	PART NO	DESCRIPTION
1	AM-170FPK-EL01	GOVERNOR ARM	9	AM-170FPK-EL09	BOLT
2	AM-170FPK-EL02	T-SHAPE BOLT	10	AM-170FPK-EL10	SCREW
3	AM-170FPK-EL03	NUT	11	AM-170FPK-EL10.1	WIRE TERMINAL
4	AM-170FPK-EL04	TIE ROD	12	AM-170FPK-EL10.2	WIRE TERMINAL
5	AM-170FPK-EL05	FINE ADJUSTMENT SPRING	13	AM-170FPK-EL11	BOLT
6	AM-170FPK-EL06	GOVERNING SPRING	14	AM-170FPK-EL12	PRESS LINE BOARD
7	AM-170FPK-EL07	CONTROL ASSY	15	AM-170FPK-EL13	SPLIT WASHER
8	AM-170FPK-EL08	CONTROL ASSY			

FLYWHEEL AND IGNITION ASSY -M

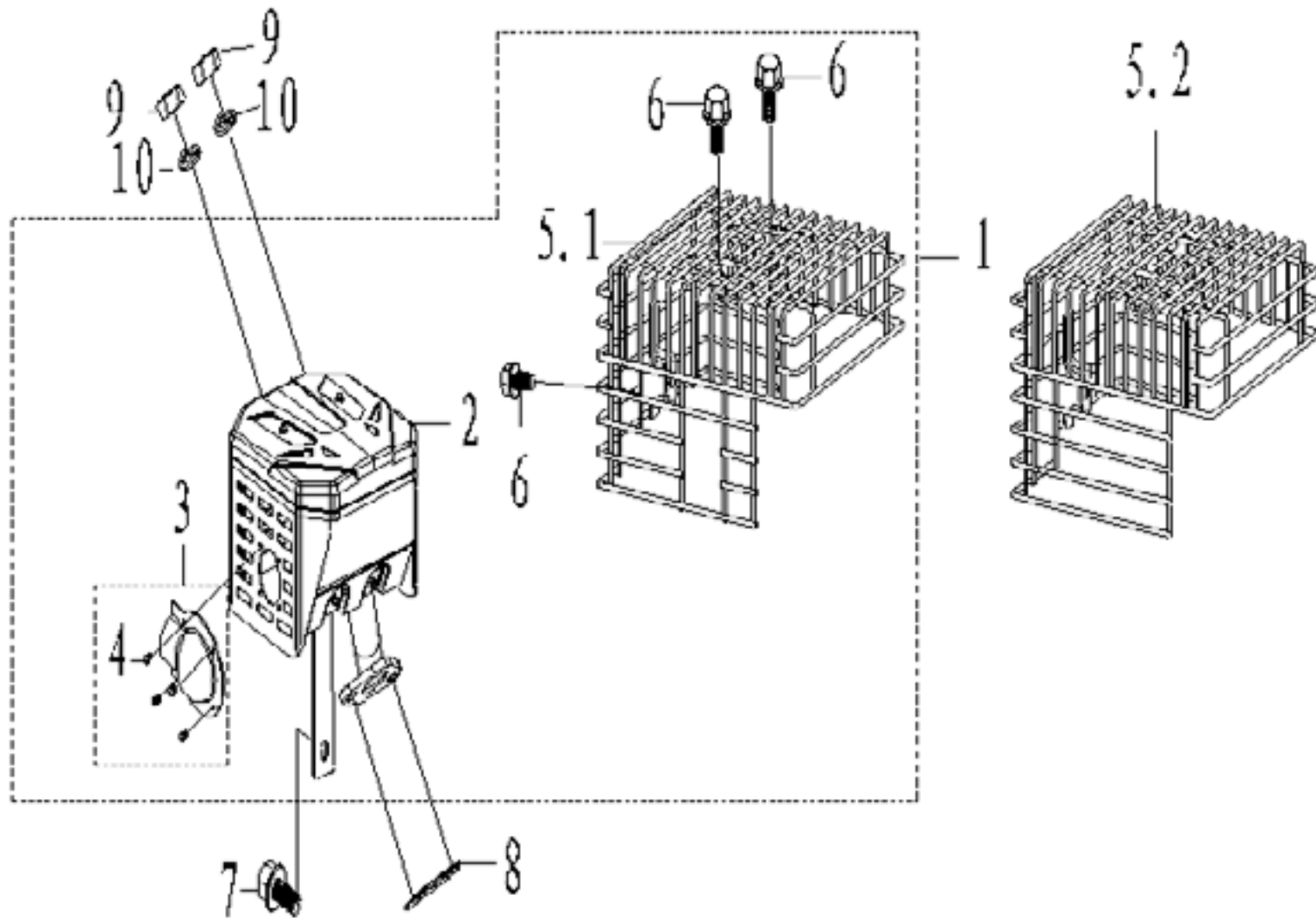


FLYWHEEL AND IGNITION ASSY -M



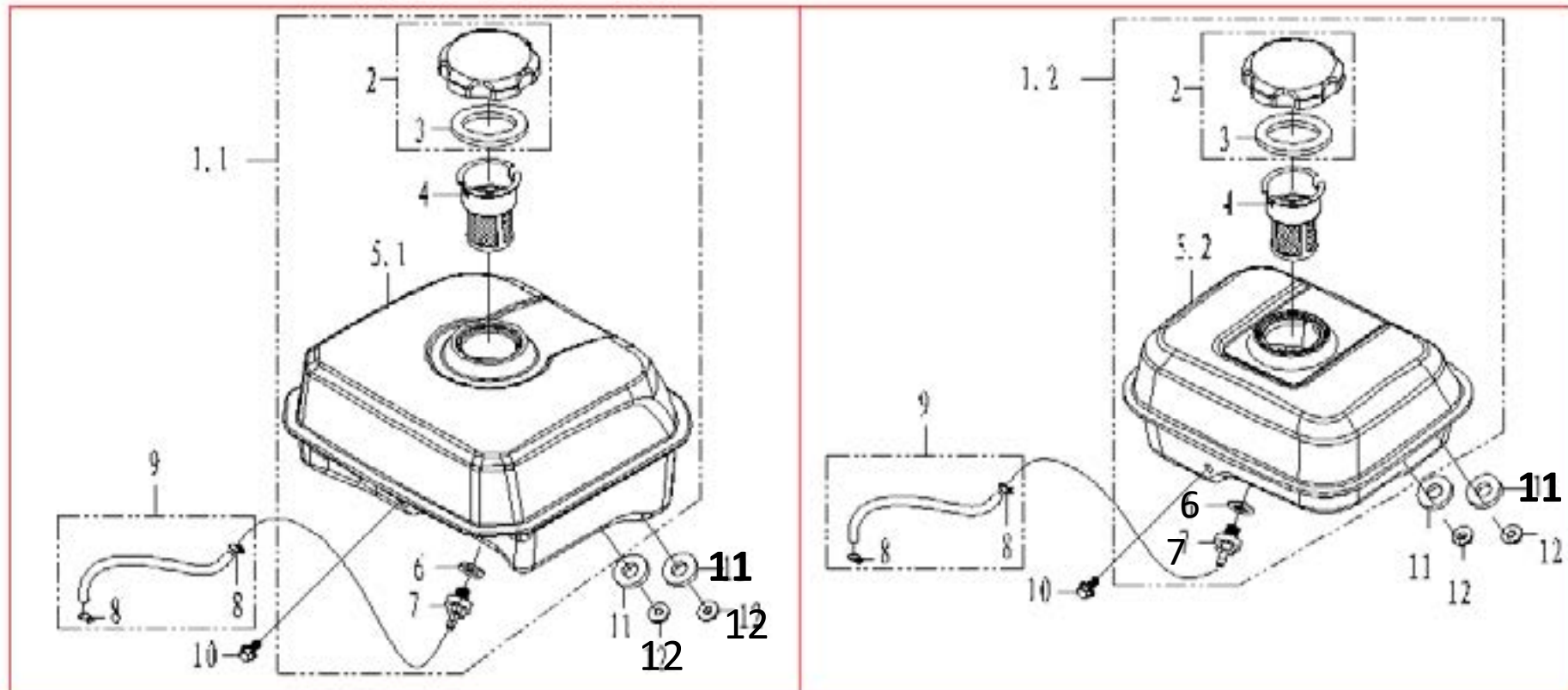
SL NO	PART NO	DESCRIPTION	SL NO	PART NO	DESCRIPTION
1	AM-170FPK-EM01	IGNITION	8	AM-170FPK-EM08	NUT
2	AM-170FPK-EM02	IGNITION CAP	9	AM-170FPK-EM09	CHARGE COIL ASSY
3	AM-170FPK-EM03	CORD STOP SWITCH	10	AM-170FPK-EM10	NUT
4	AM-170FPK-EM04	BOLT	11	AM-170FPK-EM11	CLAMPING PLATE
5.1	AM-170FPK-EM5.1	FLYWEEL	12	AM-170FPK-EM12	NUT
5.2	AM-170FPK-EM5.2	FLYWEEL			
6	AM-170FPK-EM06	COOLING FAN			
7	AM-170FPK-EM07	STARTER PULLEY			

EXHAUST ASSY - N



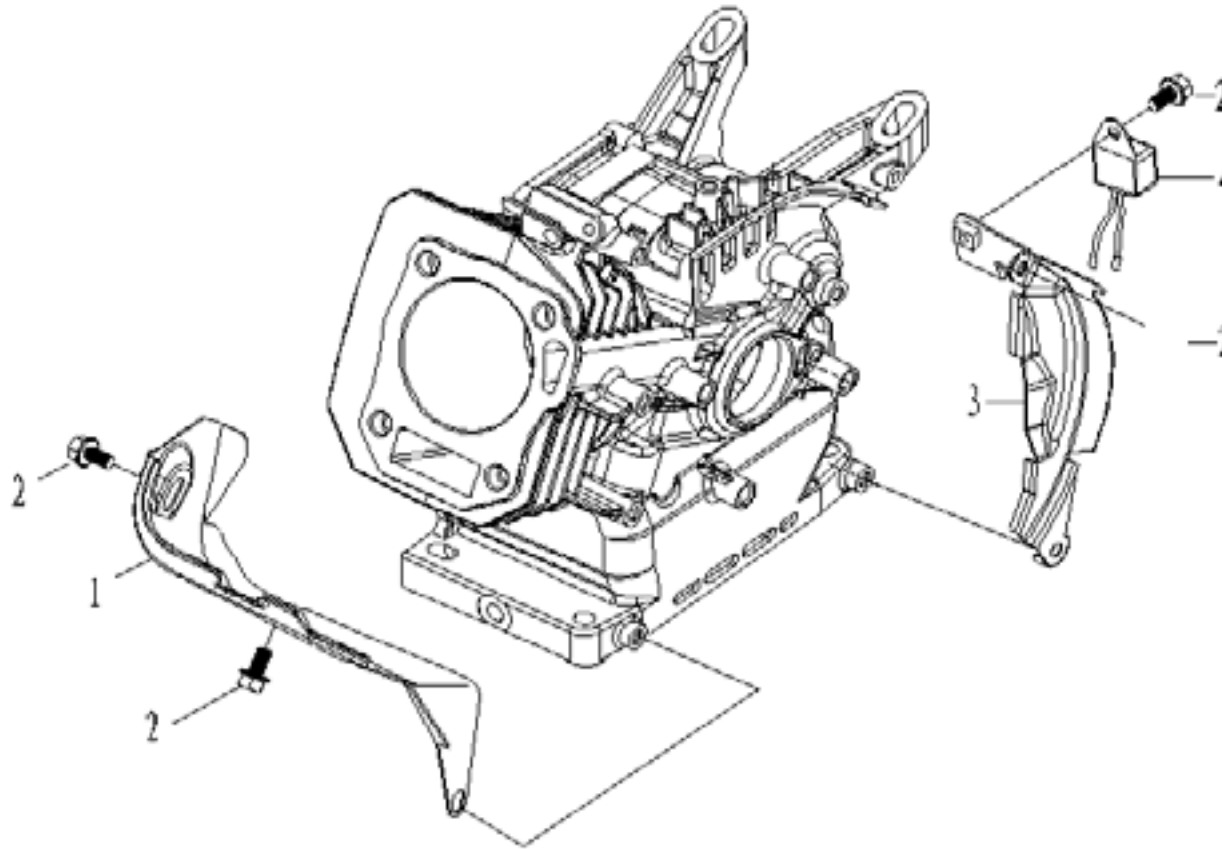
SL NO	PART NO	DESCRIPTION	SL NO	PART NO	DESCRIPTION
1	AM-170FPK-EN01	MUFFLER COMP			
2	AM-170FPK-EN02	MUFFLER COMP			
3	AM-170FPK-EN03	GUIDING COVER			
4	AM-170FPK-EN04	SCREW			
5.1	AM-170FPK-EN5.1	FLYWHEEL			
5.2	AM-170FPK-EN5.2	FLYWHEEL			
6	AM-170FPK-EN6	BOLT			
7	AM-170FPK-EN7	BOLT			
8	AM-170FPK-EN8	AIR EXHAUST WASHER			
9	AM-170FPK-EN9	NUT			
10	AM-170FPK-EN10	SPRING WASHER			

FULE OIL ASSY-P



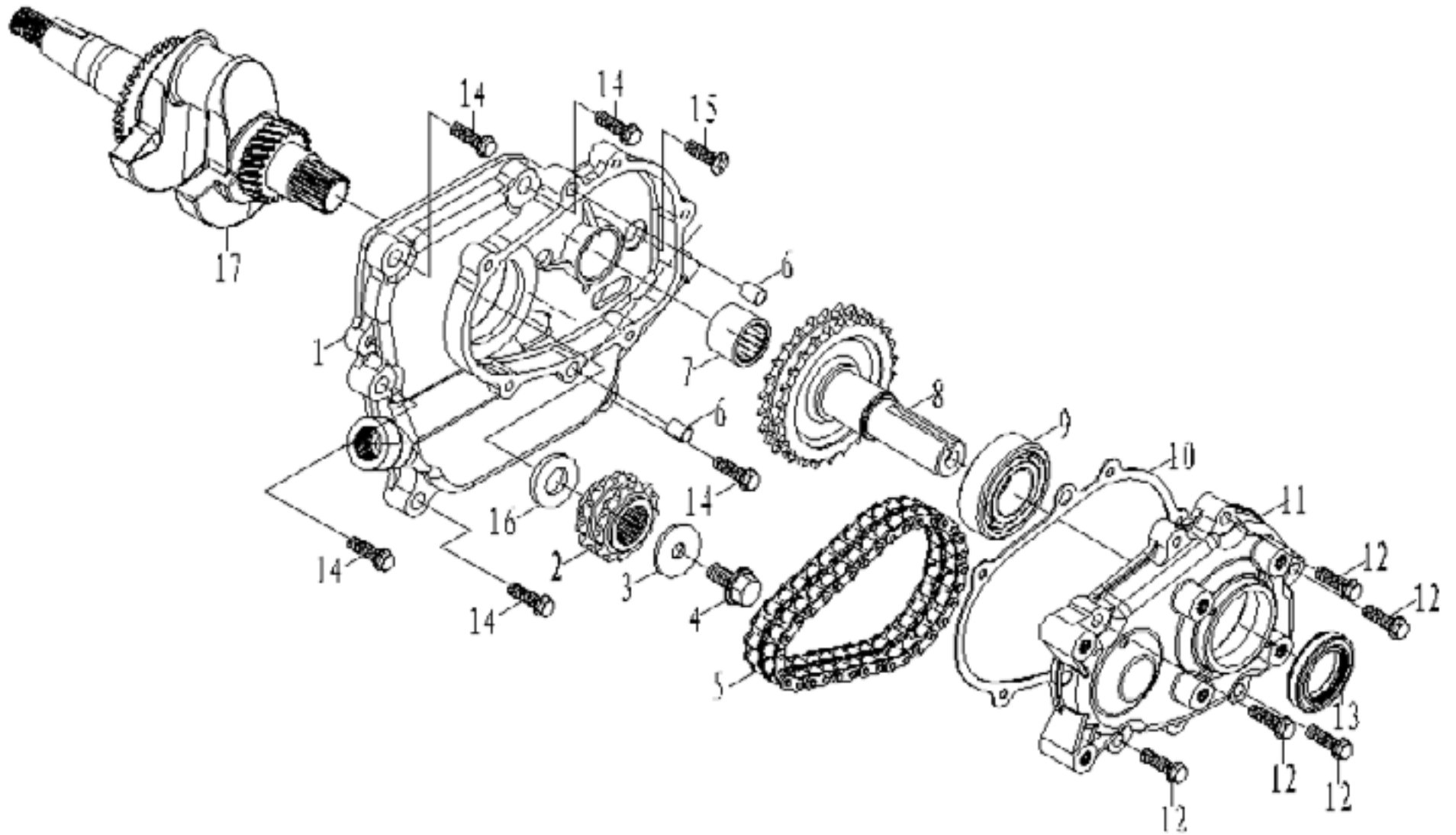
SL NO	PART NO	DESCRIPTION	SL NO	PART NO	DESCRIPTION
1.1	AM-170FPK-EP1.1	TANK FUEL COMP			
1.2	AM-170FPK-EP1.2	TANK FUEL COMP			
2	AM-170FPK-EP02	FUEL FILLER CAP COMP			
3	AM-170FPK-EP03	FUEL FILLER PACKING			
4	AM-170FPK-EP04	FILTER FUEL			
5	AM-170FPK-EP5.1	FUEL TANK			
6	AM-170FPK-EP5.2	FUEL TANK			
7	AM-170FPK-EP06	PACKING			
8	AM-170FPK-EP07	FUEL TANK JOINT			
9	AM-170FPK-EP08	TUBE CLIP			
10	AM-170FPK-EP09	FUEL TUBE			
11	AM-170FPK-EP10	BOLT			

WIND DEFLECTOR - Q



SL NO	PART NO	DESCRIPTION	SL NO	PART NO	DESCRIPTION
1	AM-170FPK-EQ01	WINDSHIELD			
2	AM-170FPK-EQ02	BOLT			
3	AM-170FPK-EQ03	SHROUD COMP			
4	AM-170FPK-EQ04	PROTECTIVE BREAKER			

REDUCTION ASSY - R



SL NO	PART NO	DESCRIPTION	SL NO	PART NO	DESCRIPTION
1	AM-170FPK-ER01	CRANKCASE COVER ASSY	10	AM-170FPK-ER10	PACKING
2	AM-170FPK-ER02	DRIVE SPROCKET WHEEL	11	AM-170FPK-ER11	REDUCTION GEARBOX COVER
3	AM-170FPK-ER03	WASHER	12	AM-170FPK-ER12	BOLT
4	AM-170FPK-ER04	BOLT	13	AM-170FPK-ER13	OIL SEAL
5	AM-170FPK-ER05	CHAIN COMP	14	AM-170FPK-ER14	BOLT
6	AM-170FPK-ER06	DOWEL PIN	15	AM-170FPK-ER15	SCREW
7	AM-170FPK-ER07	BEARING	16	AM-170FPK-ER16	WASHER
8	AM-170FPK-ER08	DRIVEN SPROCKET WHEEL	17	AM-170FPK-ER17	CRANK SHAFT ASSY
9	AM-170FPK-ER09	BEARING			