

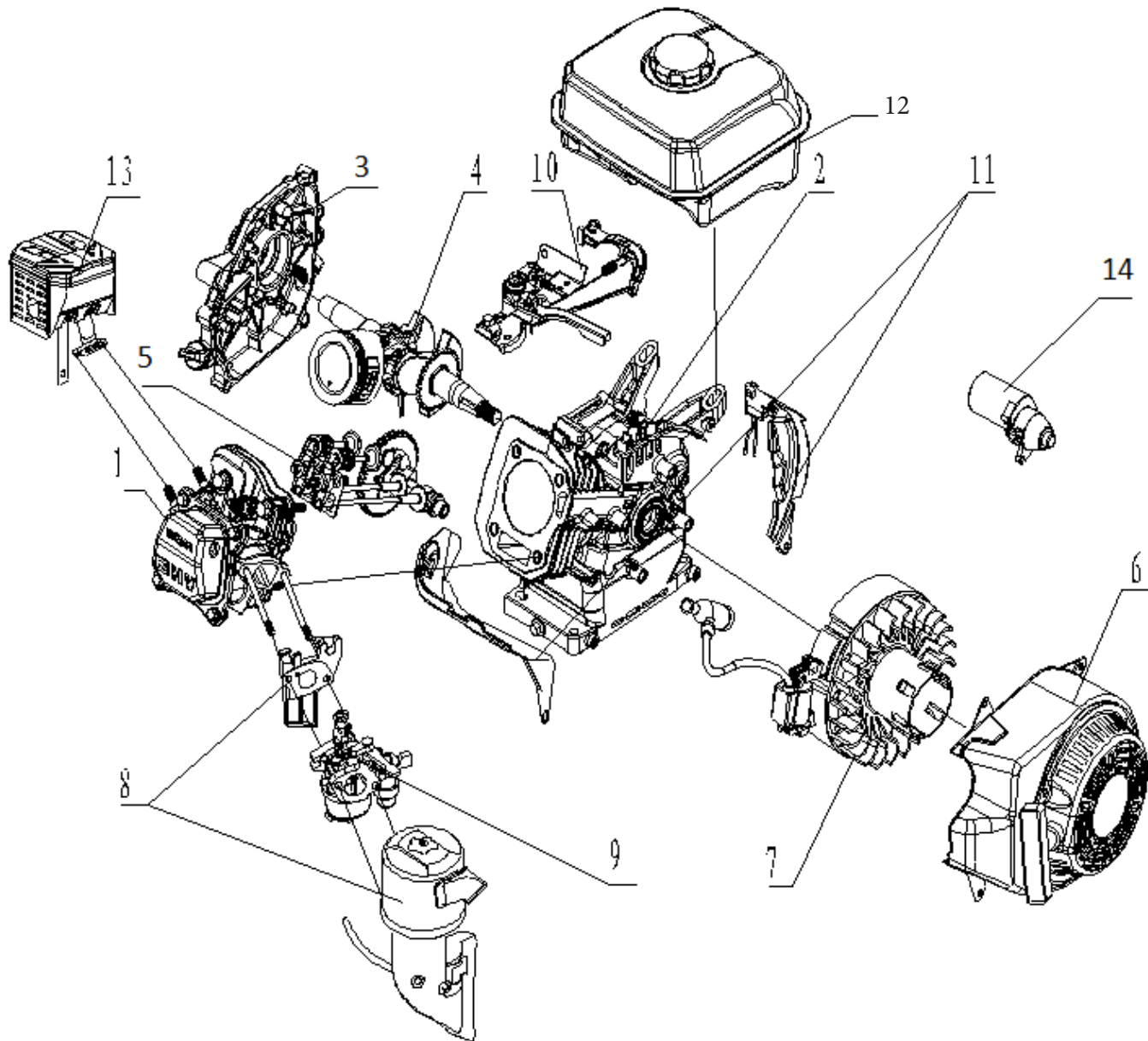
INTERCULTIVATOR / POWER WEEDER

AM-170FP-212CC

ENGINE DIAGRAM WITH PART LIST

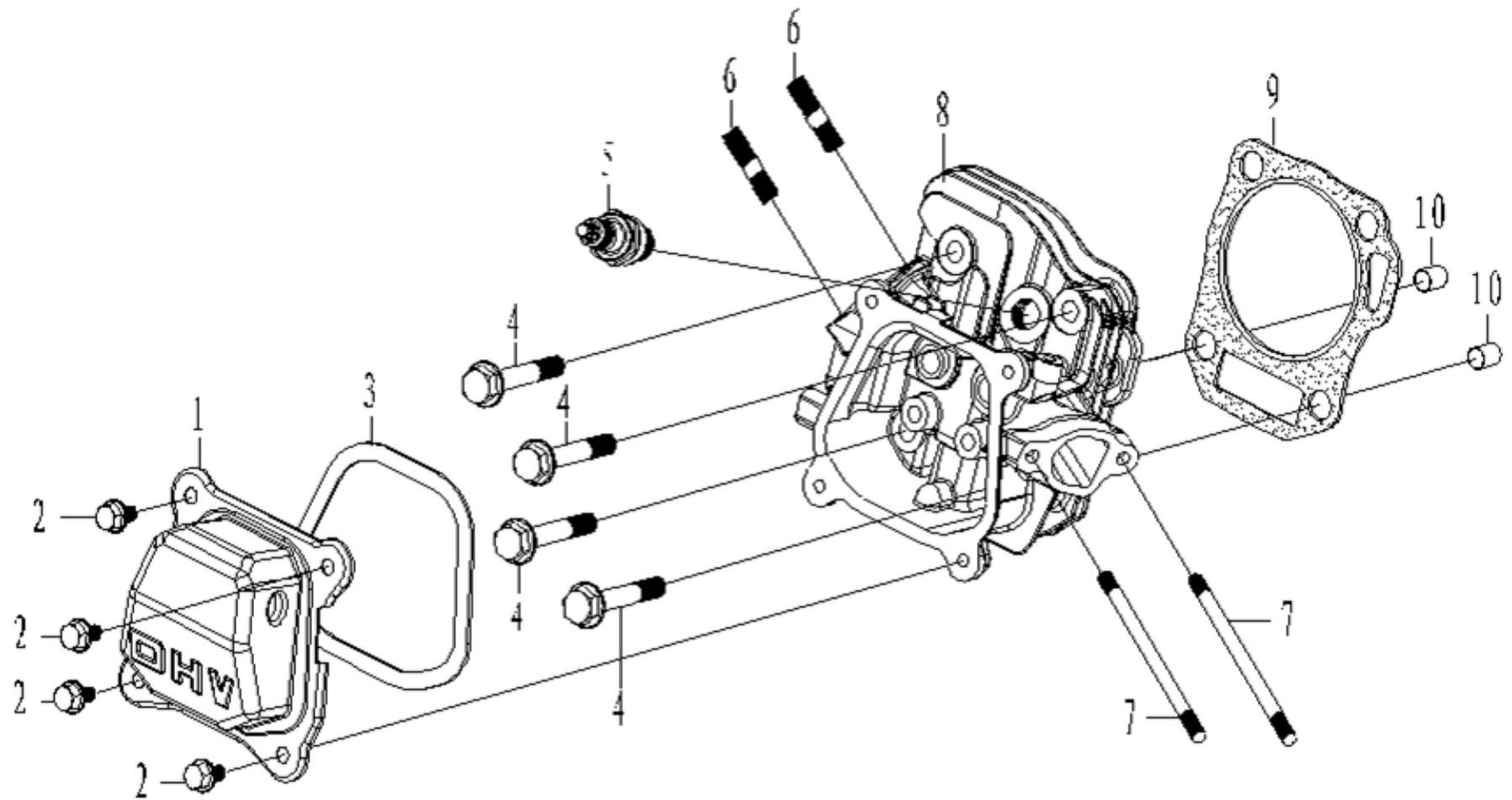


ENGINE ASSY - A



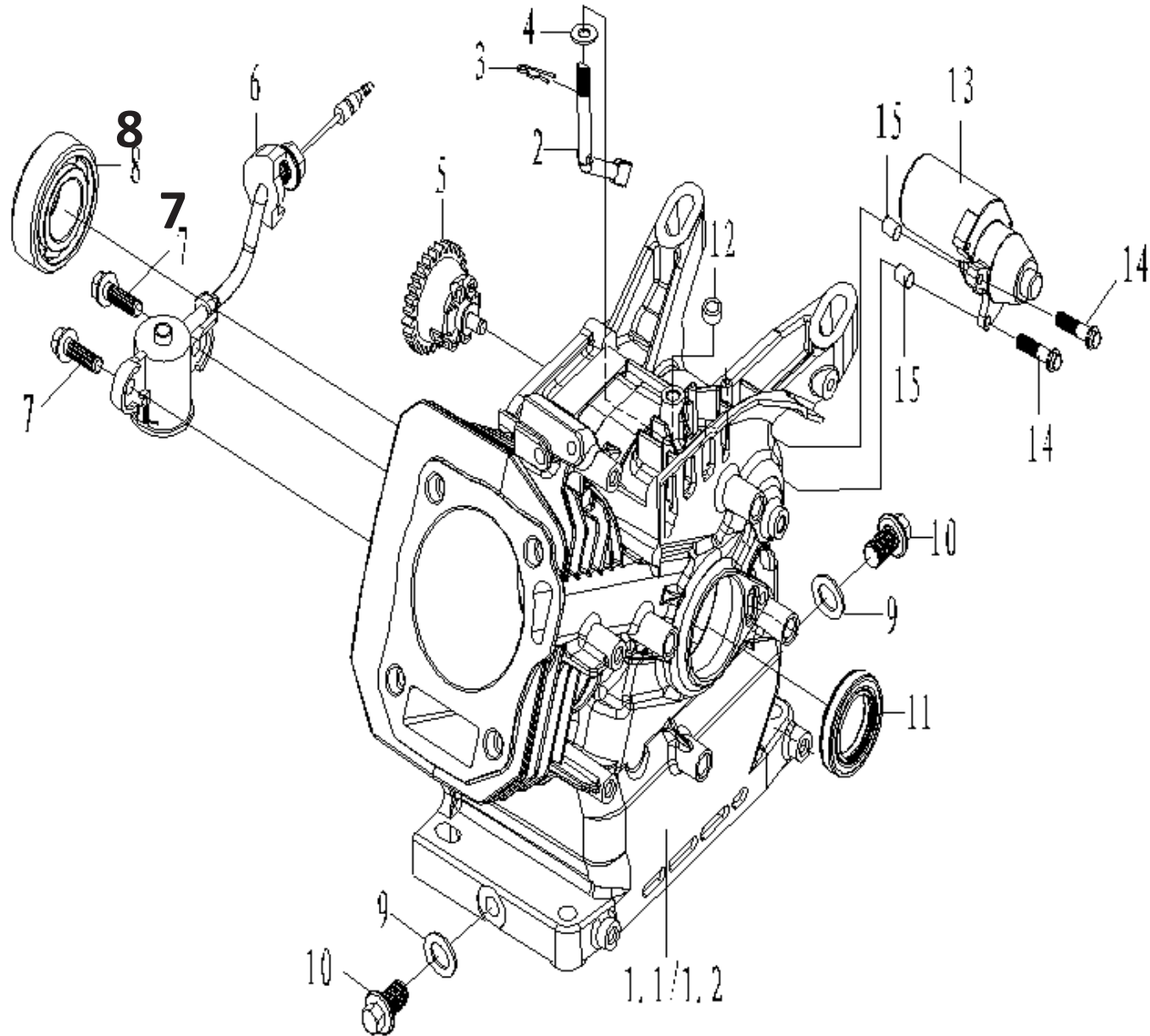
SL NO	PART NO	DESCRIPTION	SL NO	PART NO	DESCRIPTION
1	AM-170FPK-EA01	HEAD ASSY			
2	AM-170FPK-EA02	CRANKCASE ASSY			
3	AM-170FPK-EA03	CRANKCASE COVER ASSY			
4	AM-170FPK-EA04	CRANK-CONNECTING ROD ASSY			
5	AM-170FPK-EA05	VALVE TRAIN ASSY			
6	AM-170FPK-EA06	STAR ASSY			
7	AM-170FPK-EA07	FLYWHEEL AND IGNITION ASSY			
8	AM-170FPK-EA08	INLET ASSY			
9	AM-170FPK-EA09	CARBURETOR CIRCUIT ASSY			
10	AM-170FPK-EA10	THROTTLE CONTROL ASSY			
11	AM-170FPK-EA11	WIND DEFLECTOR			
12	AM-170FPK-EA12	FULE OIL ASSY			
13	AM-170FPK-EA13	EXHAUST ASSY			
14	AM-170FPK-EA14	START MOTOR ASSY			

HEAD ASSAMBLEY-B



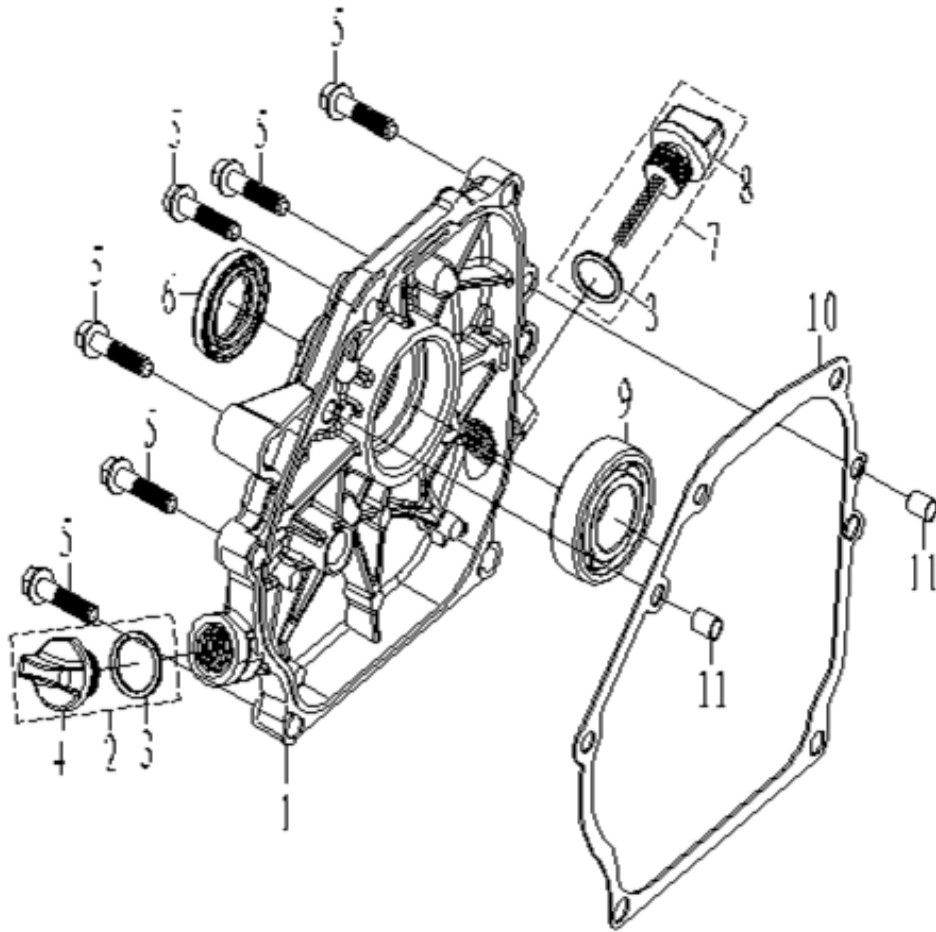
SL NO	PART NO	DESCRIPTION	SL NO	PART NO	DESCRIPTION
1	AM-170FPK-EB01	HEAD COVER			
2	AM-170FPK-EB02	BOLT			
3	AM-170FPK-EB03	HEAD COVER GASKET			
4	AM-170FPK-EB04	BOLT			
5	AM-170FPK-EB05	SPARK PLUG			
6	AM-170FPK-EB06	STUD			
7	AM-170FPK-EB07	STUD			
8	AM-170FPK-EB08	CYLINDER HEAD ASSY			
9	AM-170FPK-EB09	CYLINDER HEAD GASKET			
10	AM-170FPK-EB10	DOWEL PIN			

CRANK CASE ASSY-C



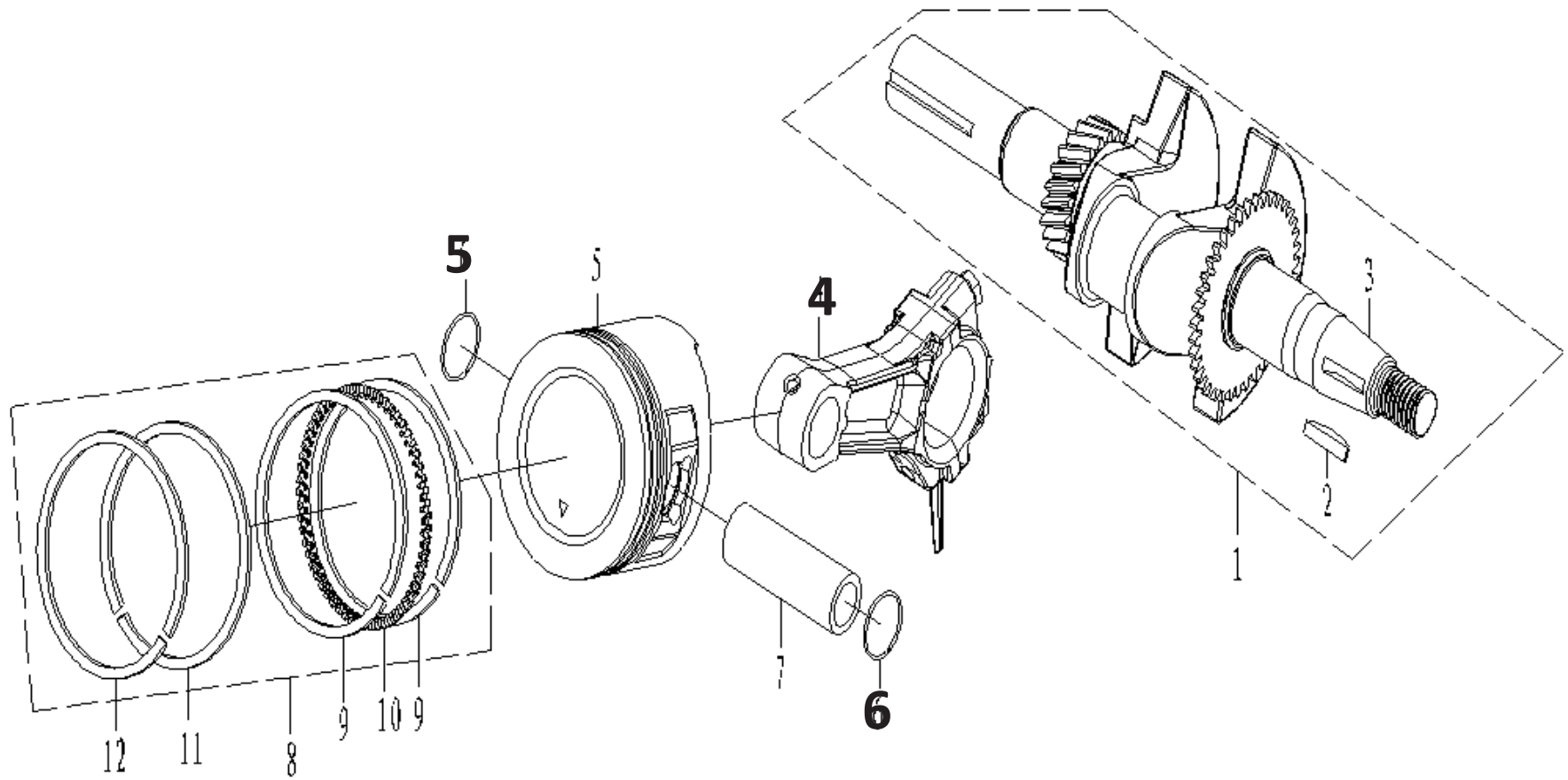
SL NO	PART NO	DESCRIPTION	SL NO	PART NO	DESCRIPTION
1.1	AM-170FPK-EC1.1	CRANKCASE COMP	10	AM-170FPK-EC10	DRAIN PLUG BOLT
1.2	AM-170FPK-EC1.2	CRANKCASE COMP	11	AM-170FPK-EC11	OIL SEAL
2	AM-170FPK-EC02	GOVERNOR ARM SHAFT	12	AM-170FPK-EC12	OIL SEAL
3	AM-170FPK-EC03	GOVERNOR ARM SHAFT LOCKER	13	AM-170FPK-EC13	START MOTOR ASSY
4	AM-170FPK-EC04	PLAIN WASHER	14	AM-170FPK-EC14	BOLT
5	AM-170FPK-EC05	GOVERNOR KIT	15	AM-170FPK-EC15	DOWEL PIN
6	AM-170FPK-EC06	OIL SENSOR			
7	AM-170FPK-EC07	BOLT			
8	AM-170FPK-EC08	BEARING			
9	AM-170FPK-EC09	PLAIN WASHER			

CRANK CASE COVER ASSY-D



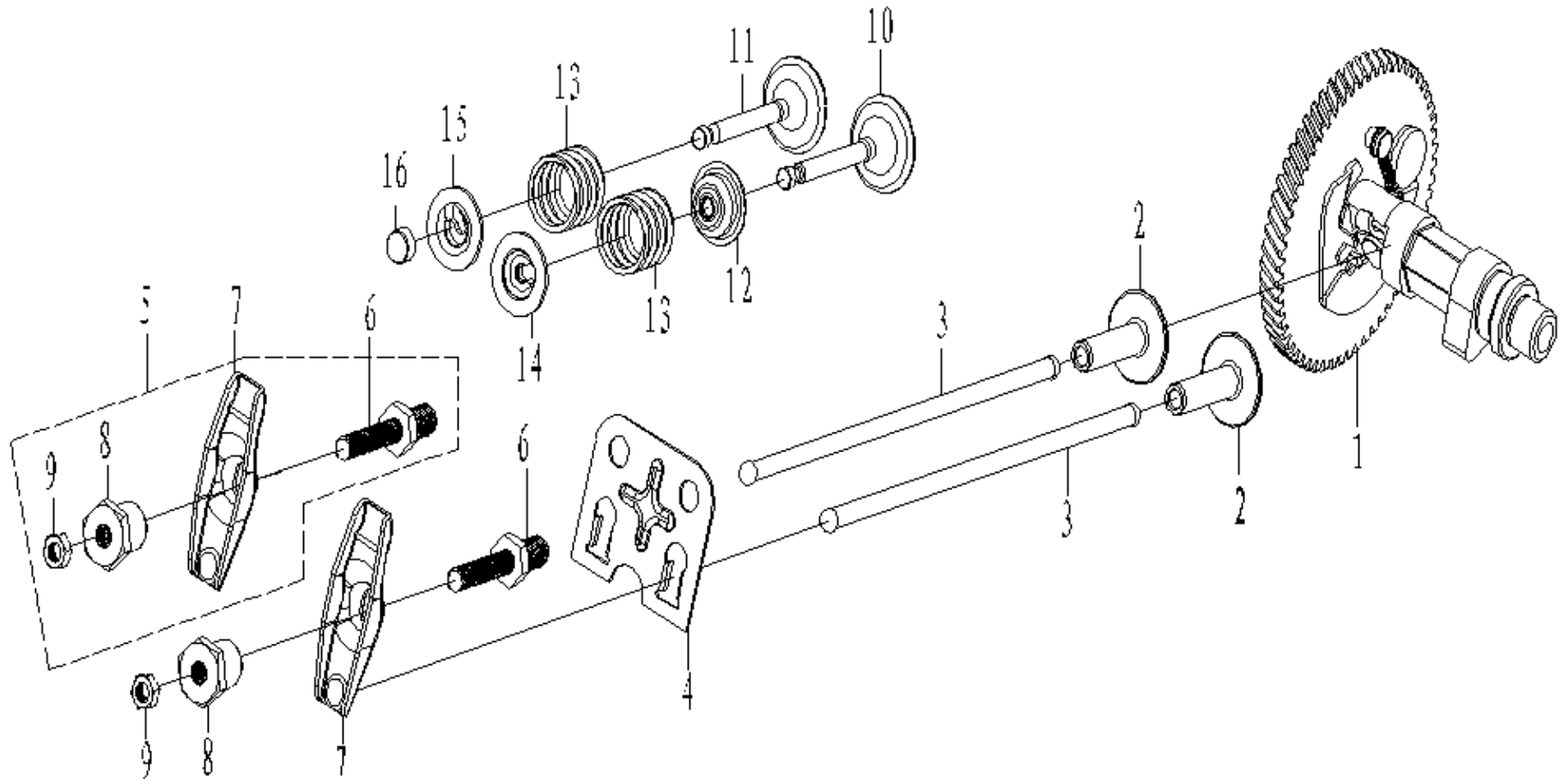
SL NO	PART NO	DESCRIPTION
1	AM-170FPK-ED01	CRANKCASE COVER
2	AM-170FPK-ED02	OIL FILLER PLUG ASSY
3	AM-170FPK-ED03	DIPSTICK SEALING RING
4	AM-170FPK-ED04	OIL FILLER PLUG
5	AM-170FPK-ED05	BOLT
6	AM-170FPK-ED06	OIL SEAL
7	AM-170FPK-ED07	DIPSTICK ASSY
8	AM-170FPK-ED08	DIPSTICK
9	AM-170FPK-ED09	BEARING
10	AM-170FPK-ED10	CASE COVER GASKET
11	AM-170FPK-ED11	DOWEL PIN

CRANK CONNECTING ROD ASSY - E



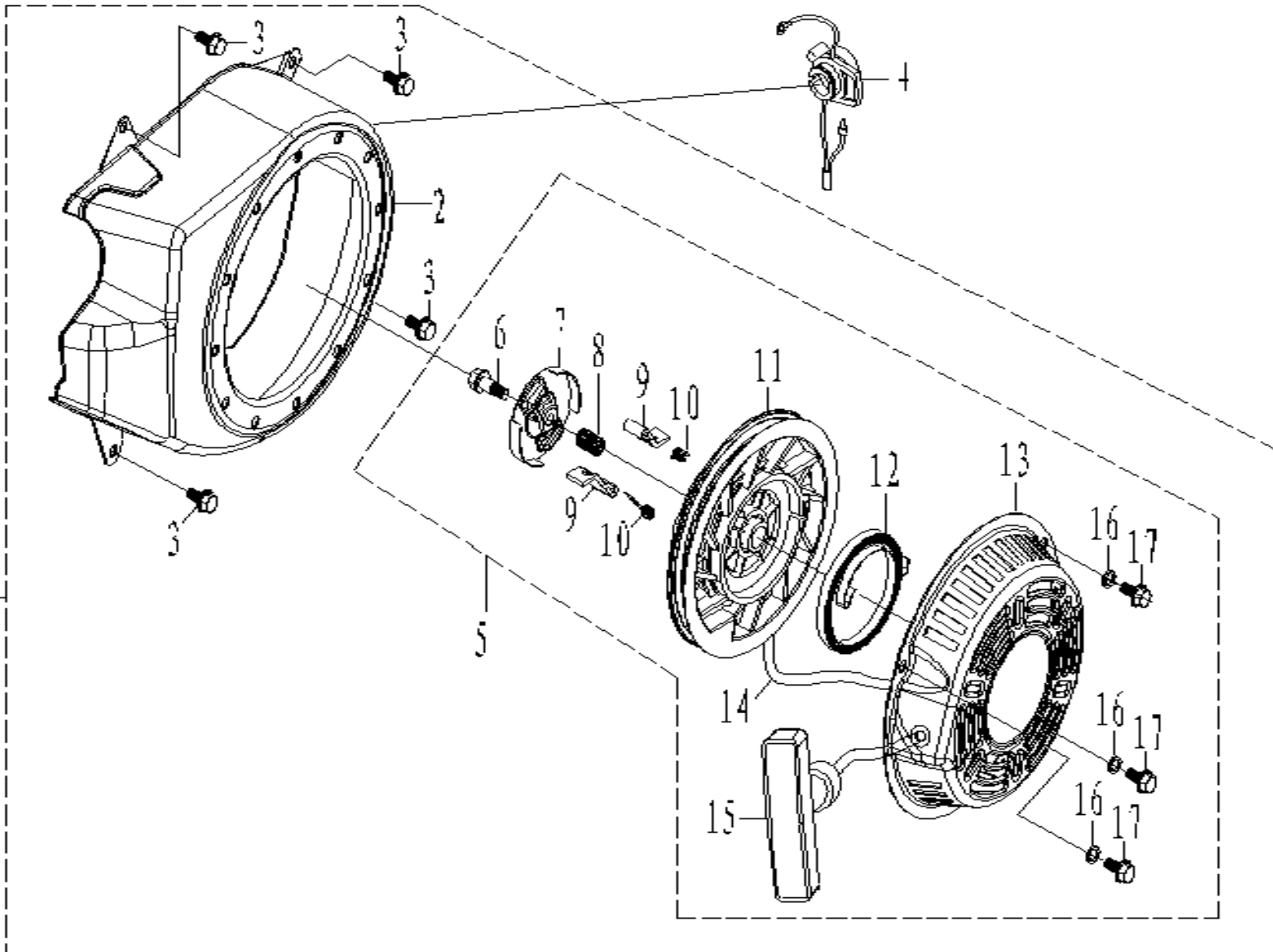
SL NO	PART NO	DESCRIPTION	SL NO	PART NO	DESCRIPTION
1	AM-170FPK-EE01	CRANK SHAFT ASSY			
2	AM-170FPK-EE02	SPECIAL WOODRUFF KEY			
3	AM-170FPK-EE03	CRANK SHAFT			
4	AM-170FPK-EE04	CONNECTING ROD ASSY			
5	AM-170FPK-EE05	PISTON			
6	AM-170FPK-EE06	CLIP PISTON PIN			
7	AM-170FPK-EE07	PIN PISTON			
8	AM-170FPK-EE08	PISTON RING ASSY			
9	AM-170FPK-EE09	FILM LOOP			
10	AM-170FPK-EE10	BUSH RING			
11	AM-170FPK-EE11	GAS RING TWO			
12	AM-170FPK-EE12	GAS RING ONE			

VALVE TRAIN ASSY - F



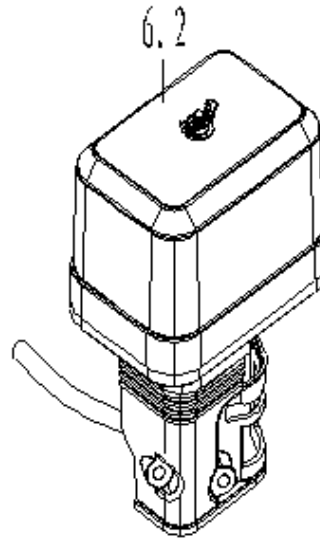
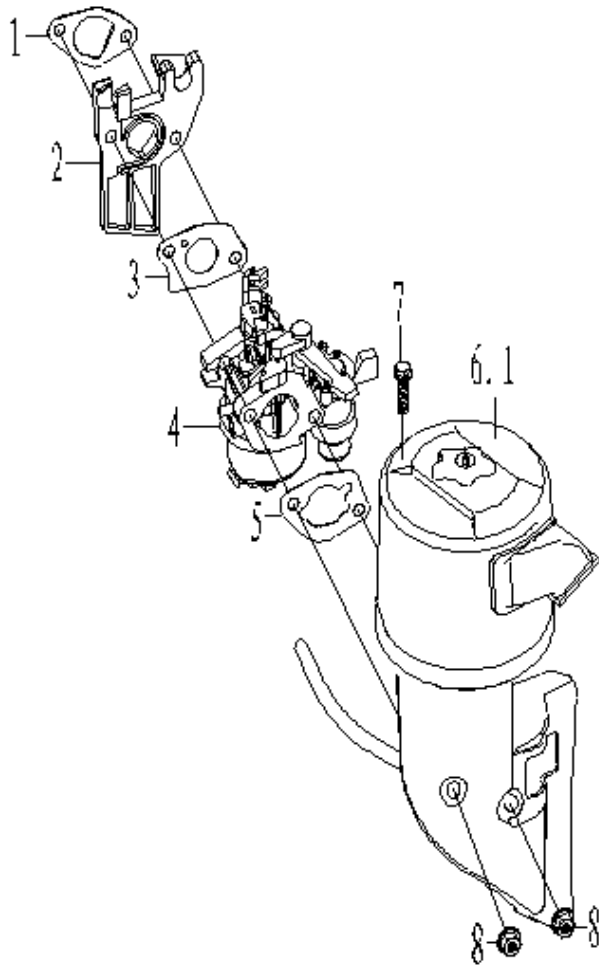
SL NO	PART NO	DESCRIPTION	SL NO	PART NO	DESCRIPTION
1	AM-170FPK-EF01	CAMSHAFT ASSY	10	AM-170FPK-EF10	INLET VALVE
2	AM-170FPK-EF02	VALVE LIFTER	11	AM-170FPK-EF11	EXHAUST VALVE
3	AM-170FPK-EF03	PUSH ROD	12	AM-170FPK-EF12	VALVE SEAL
4	AM-170FPK-EF04	PUSH ROD GUIDE PLATE	13	AM-170FPK-EF13	VALVE SPRING
5	AM-170FPK-EF05	VALVE ROCKER ARM ASSY	14	AM-170FPK-EF14	INTAKE VALVE SPRING SEAT
6	AM-170FPK-EF06	PIVOT BOLT	15	AM-170FPK-EF15	EXHAUST VALVE SPRING SEAT
7	AM-170FPK-EF07	VALVE ROCKER ARM	16	AM-170FPK-EF16	EX. VALVE ADJUSTER
8	AM-170FPK-EF08	VALVE ADJUSTING NUT			
9	AM-170FPK-EF09	PIVOT LOCKING NUT			

STARTER ASSY - G



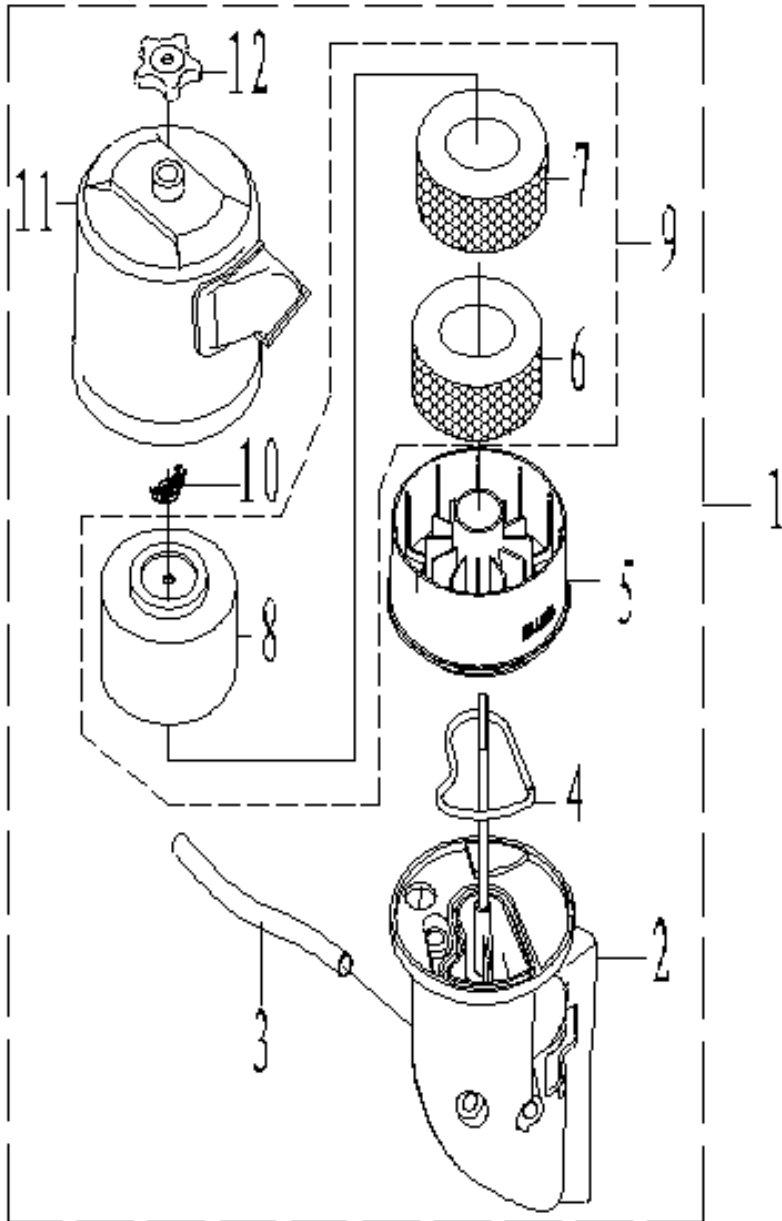
SL NO	PART NO	DESCRIPTION	SL NO	PART NO	DESCRIPTION
1	AM-170FPK-EG01	RECOIL STARTER ASSY	10	AM-170FPK-EG10	RETURN SPRING
2	AM-170FPK-EG02	WIND SCOOPER	11	AM-170FPK-EG11	RECOIL STARTER REEL
3	AM-170FPK-EG03	BOLT	12	AM-170FPK-EG12	STARTER RETURN SPRING
4	AM-170FPK-EG04	ENGINE STOP SWITH ASSY	13	AM-170FPK-EG13	RECOIL STARTER COVER COMP
5	AM-170FPK-EG05	RECOIL STARTER COMP	14	AM-170FPK-EG14	RECOIL STARTER ROPE
6	AM-170FPK-EG06	CENTER POSITION BOLT	15	AM-170FPK-EG15	HANDLE STARTER
7	AM-170FPK-EG07	GUIDE RATCHET	16	AM-170FPK-EG16	RECOIL STARTER ASSY
8	AM-170FPK-EG08	CENTER POSITION SPRING	17	AM-170FPK-EG17	BOLT
9	AM-170FPK-EG09	STARTER RATCHET			

INLET ASSY - H



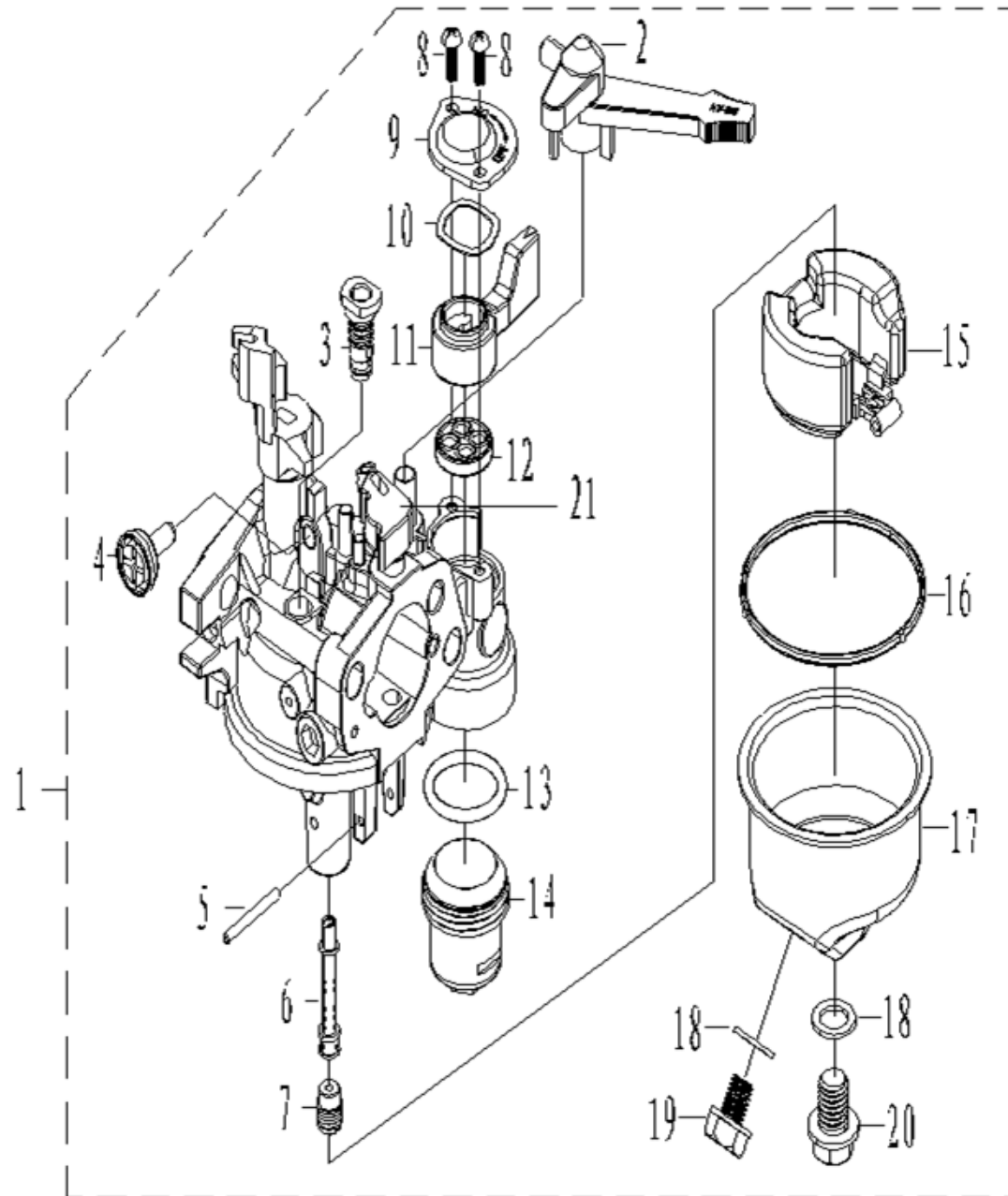
SL NO	PART NO	DESCRIPTION
1	AM-170FPK-EH01	AIR INTAKE WASHER
2	AM-170FPK-EH02	INSULATOR
3	AM-170FPK-EH03	CARBURETOR PACKING
4	AM-170FPK-EH04	CARBURETOR
5	AM-170FPK-EH05	AIR CLEANER GASKET
6	AM-170FPK-EH06	AIR CLEANER ASSY
7	AM-170FPK-EH07	AIR CLEANER ASSY
8	AM-170FPK-EH08	BOLT
9	AM-170FPK-EH09	NUT

AIR FILTER ASSY - J



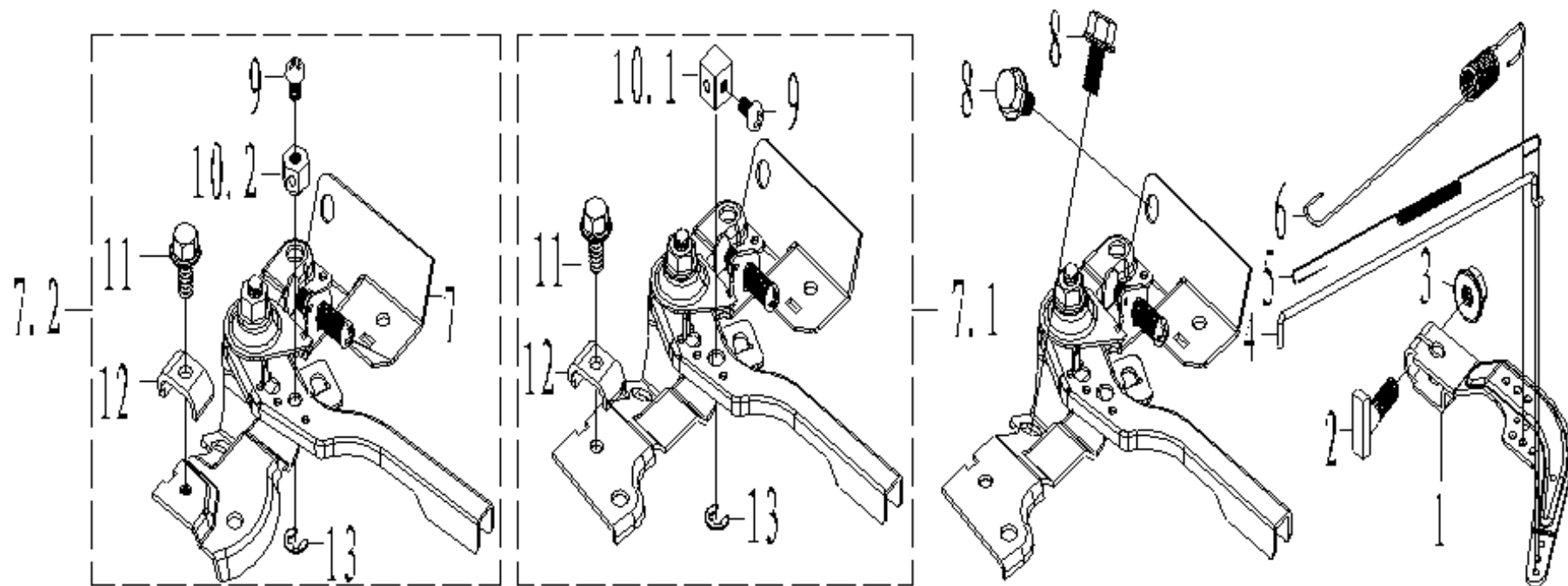
SL NO	PART NO	DESCRIPTION
1	AM-170FPK-EJ01	AIR CLEANER ASSY
2	AM-170FPK-EJ02	AIR CLEANER CASE
3	AM-170FPK-EJ03	WASTE GAS PIPE
4	AM-170FPK-EJ04	PACKING
5	AM-170FPK-EJ05	Air filter oil filter oil cup
6	AM-170FPK-EJ06	AIR CLEANER SPENGE ELEMENT
7	AM-170FPK-EJ07	AIR CLEANER SPENGE ELEMENT
8	AM-170FPK-EJ08	SEAL COVER
9	AM-170FPK-EJ09	AIR CLEANER SPENGE ELEMENT
10	AM-170FPK-EJ10	BUTTERFLY NUT
11	AM-170FPK-EJ11	AIR CLEANER COVER
12	AM-170FPK-EJ12	Air filter cover locking handle

CARBURETOR CIRCUIT ASSY - K



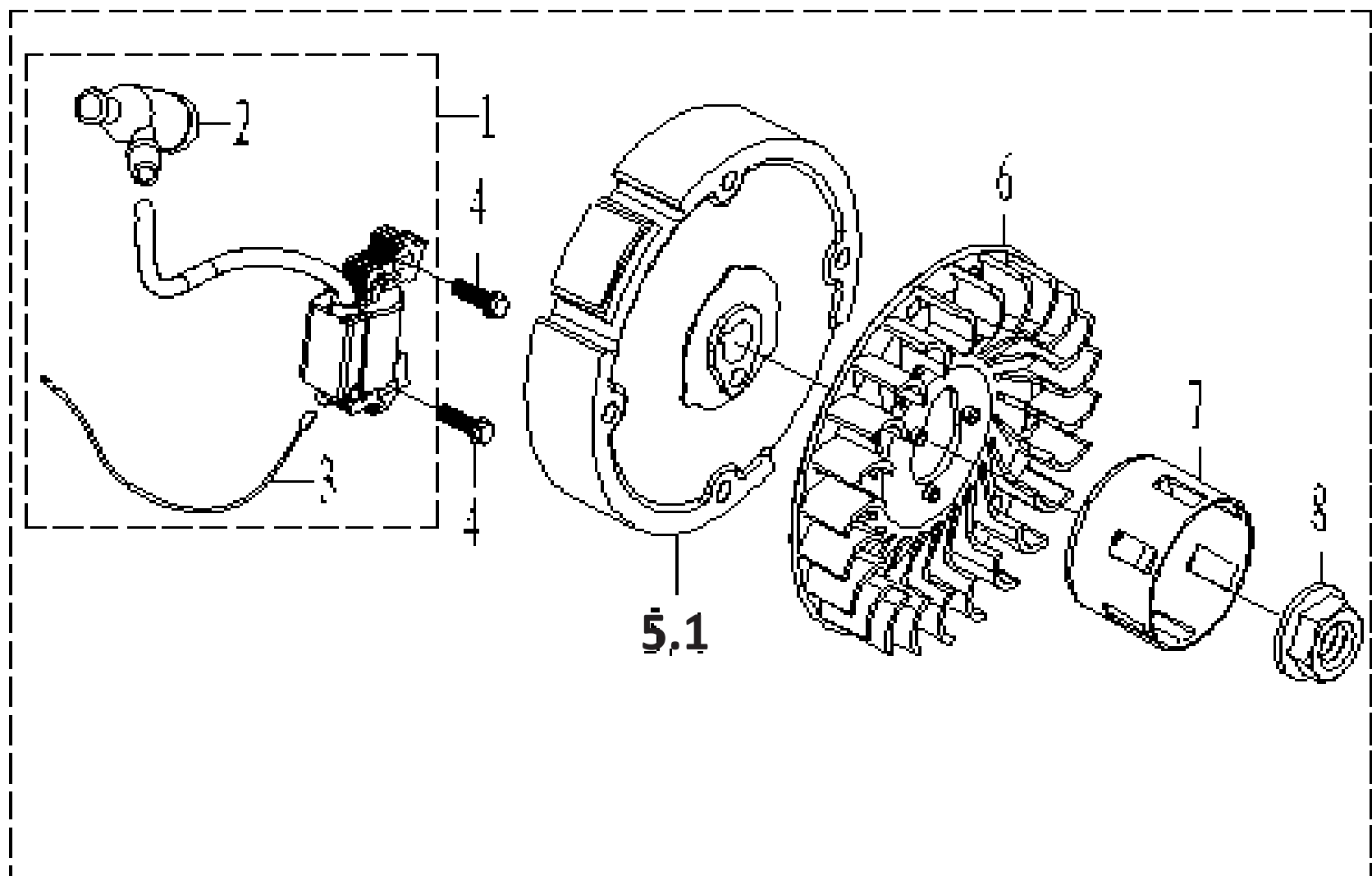
SL NO	PART NO	DESCRIPTION	SL NO	PART NO	DESCRIPTION
1	AM-170FPK-EK01	CARBURETOR	12	AM-170FPK-EK12	FUEL SWITCH SEAL
2	AM-170FPK-EK02	CHOKE PLATE HANDLE	13	AM-170FPK-EK13	SEDIMENT BOWL SEAL
3	AM-170FPK-EK03	IDLE HOLE COMPONENT	14	AM-170FPK-EK14	SEDIMENT BOWL
4	AM-170FPK-EK04	PILOT JET SET	15	AM-170FPK-EK15	FLOAT SET
5	AM-170FPK-EK05	PIN	16	AM-170FPK-EK16	FLOAT CHAMBER SET
6	AM-170FPK-EK06	MAIN NOZZLE	17	AM-170FPK-EK17	WASHER
7	AM-170FPK-EK07	MAIN JET	18	AM-170FPK-EK18	GASKET
8	AM-170FPK-EK08	SCREW	19	AM-170FPK-EK19	DRAIN PLUG BOLT
9	AM-170FPK-EK09	FUEL SWITCH COVER PLATE	20	AM-170FPK-EK20	BOLT
10	AM-170FPK-EK10	WASHER	21	AM-170FPK-EK21	CHOKE SHAFT
11	AM-170FPK-EK11	FUEL SWITCH HANDLE			

THROTTLE CONTROL ASSY - L

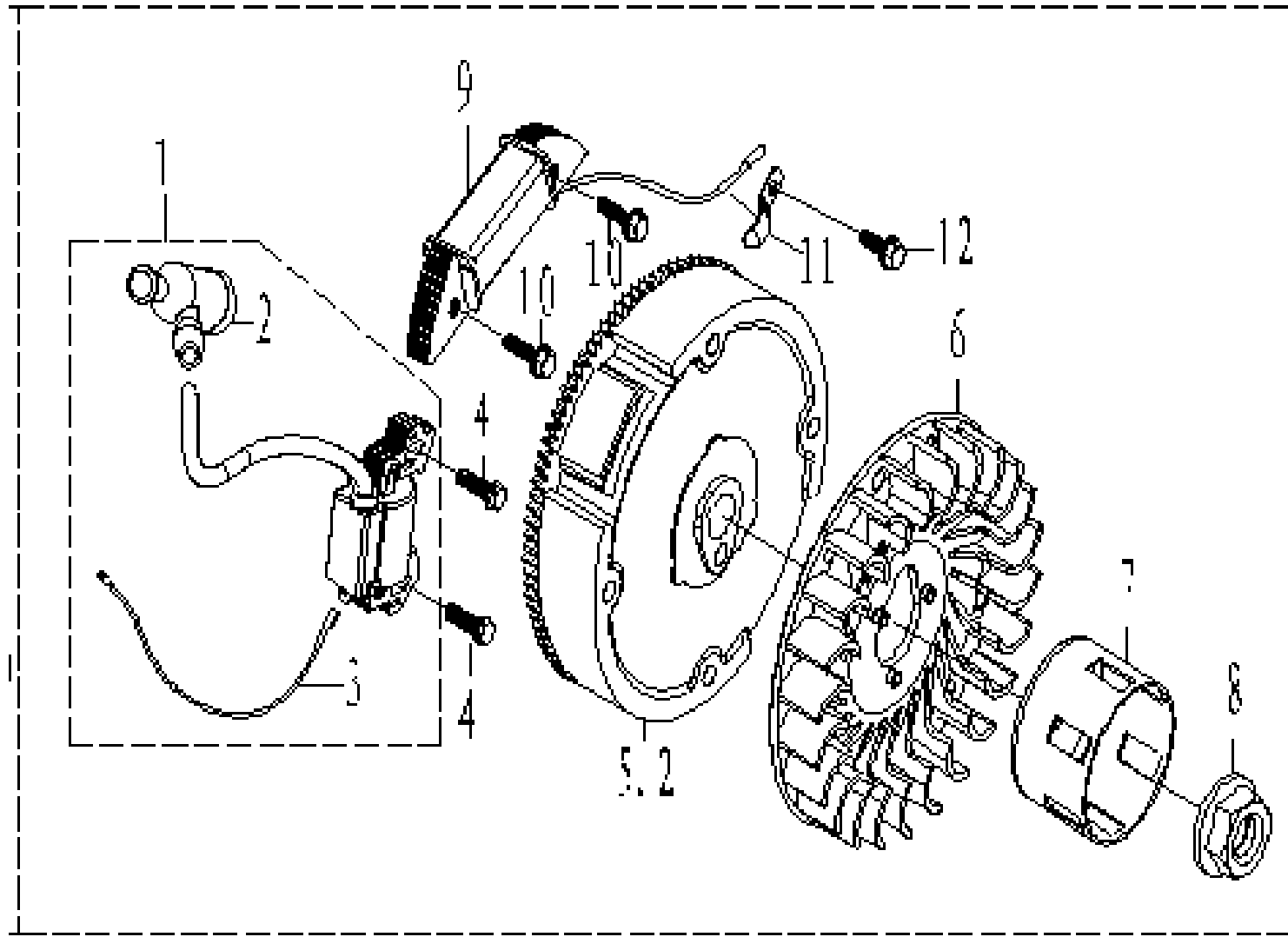


SL NO	PART NO	DESCRIPTION	SL NO	PART NO	DESCRIPTION
1	AM-170FPK-EL01	GOVERNOR ARM	9	AM-170FPK-EL09	BOLT
2	AM-170FPK-EL02	T-SHAPE BOLT	10	AM-170FPK-EL10	SCREW
3	AM-170FPK-EL03	NUT	11	AM-170FPK-EL10.1	WIRE TERMINAL
4	AM-170FPK-EL04	TIE ROD	12	AM-170FPK-EL10.2	WIRE TERMINAL
5	AM-170FPK-EL05	FINE ADJUSTMENT SPRING	13	AM-170FPK-EL11	BOLT
6	AM-170FPK-EL06	GOVERNING SPRING	14	AM-170FPK-EL12	PRESS LINE BOARD
7	AM-170FPK-EL07	CONTROL ASSY	15	AM-170FPK-EL13	SPLIT WASHER
8	AM-170FPK-EL08	CONTROL ASSY			

FLYWHEEL AND IGNITION ASSY -M

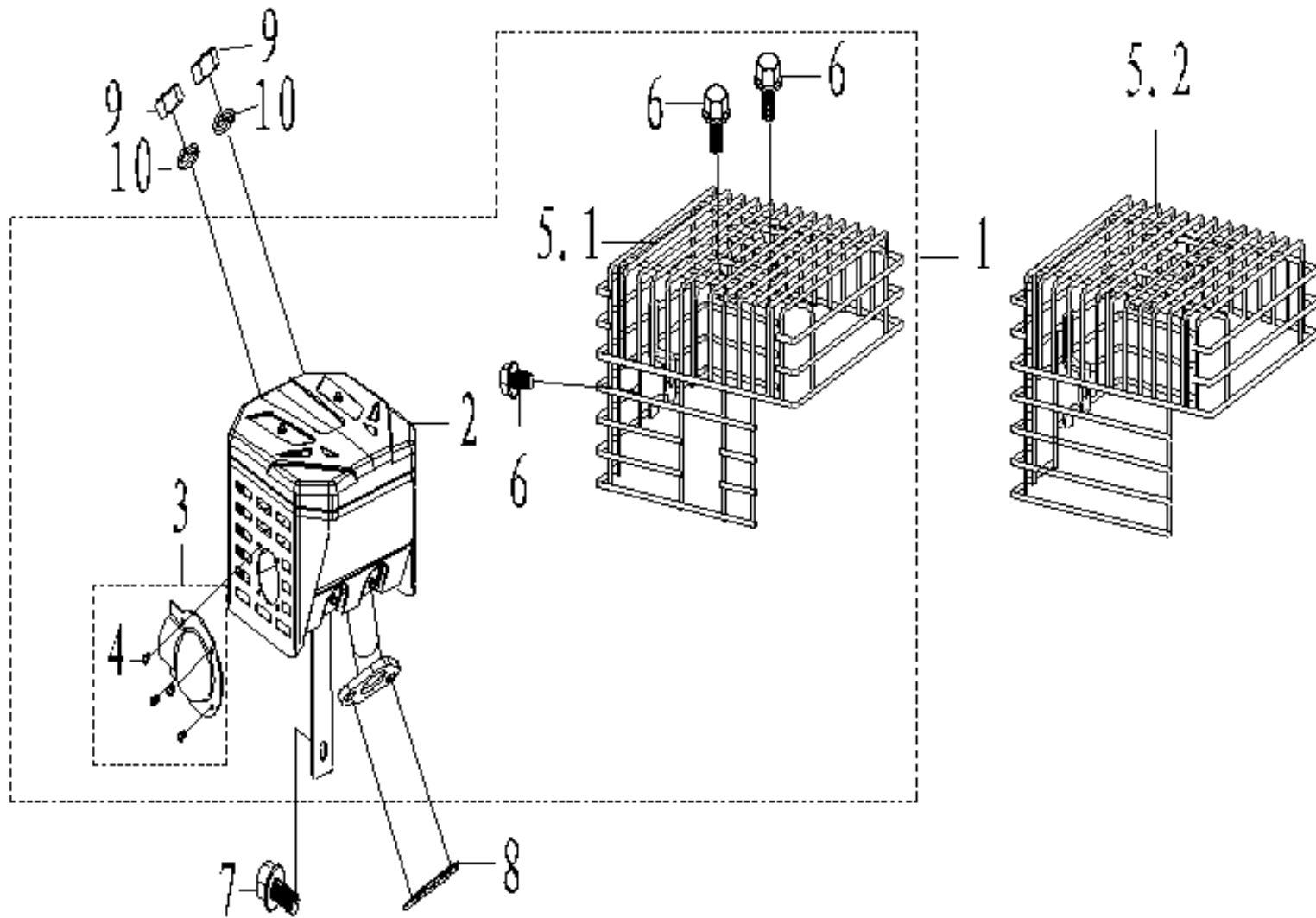


FLYWHEEL AND IGNITION ASSY -M



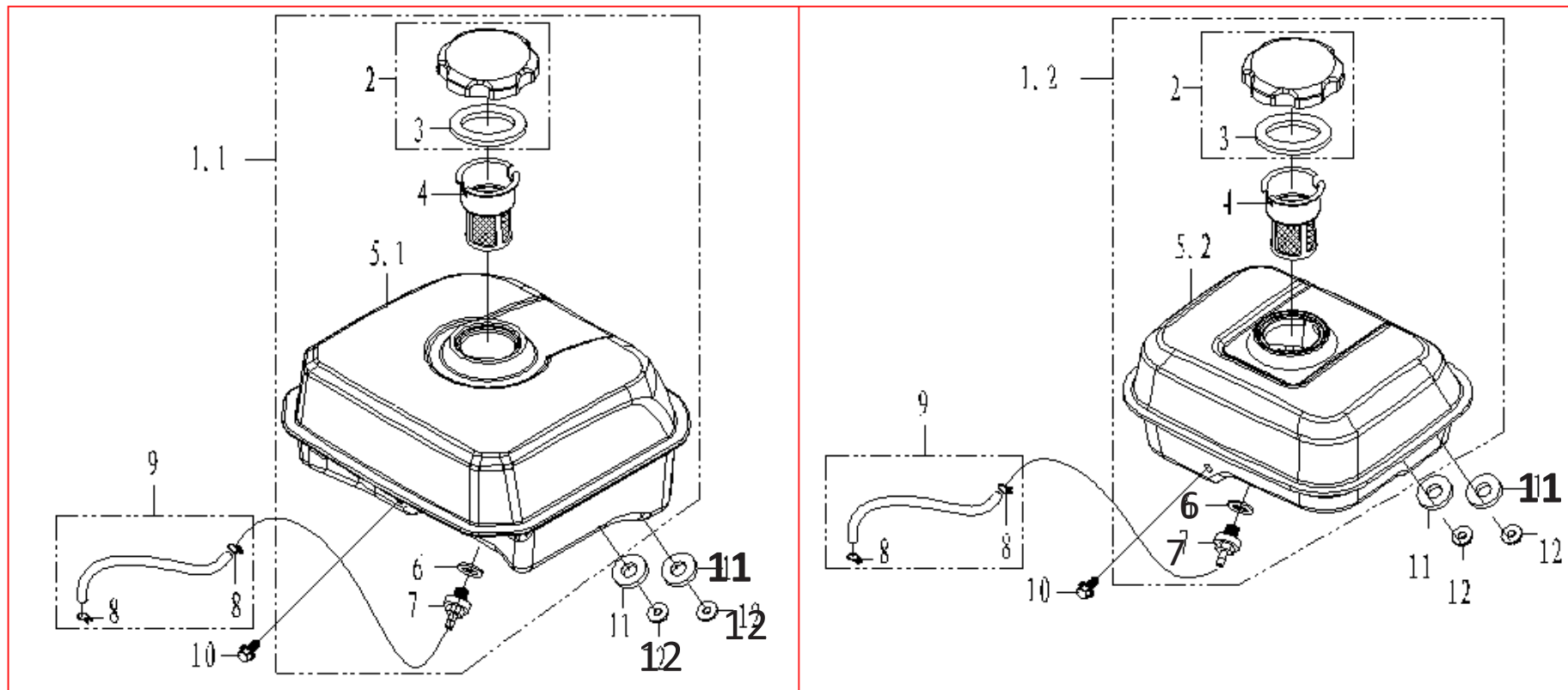
SL NO	PART NO	DESCRIPTION	SL NO	PART NO	DESCRIPTION
1	AM-170FPK-EM01	IGNITION	8	AM-170FPK-EM08	NUT
2	AM-170FPK-EM02	IGNITION CAP	9	AM-170FPK-EM09	CHARGE COIL ASSY
3	AM-170FPK-EM03	CORD STOP SWITCH	10	AM-170FPK-EM10	NUT
4	AM-170FPK-EM04	BOLT	11	AM-170FPK-EM11	CLAMPING PLATE
5.1	AM-170FPK-EM5.1	FLYWEEL	12	AM-170FPK-EM12	NUT
5.2	AM-170FPK-EM5.2	FLYWEEL			
6	AM-170FPK-EM06	COOLING FAN			
7	AM-170FPK-EM07	STARTER PULLEY			

EXHAUST ASSY - N



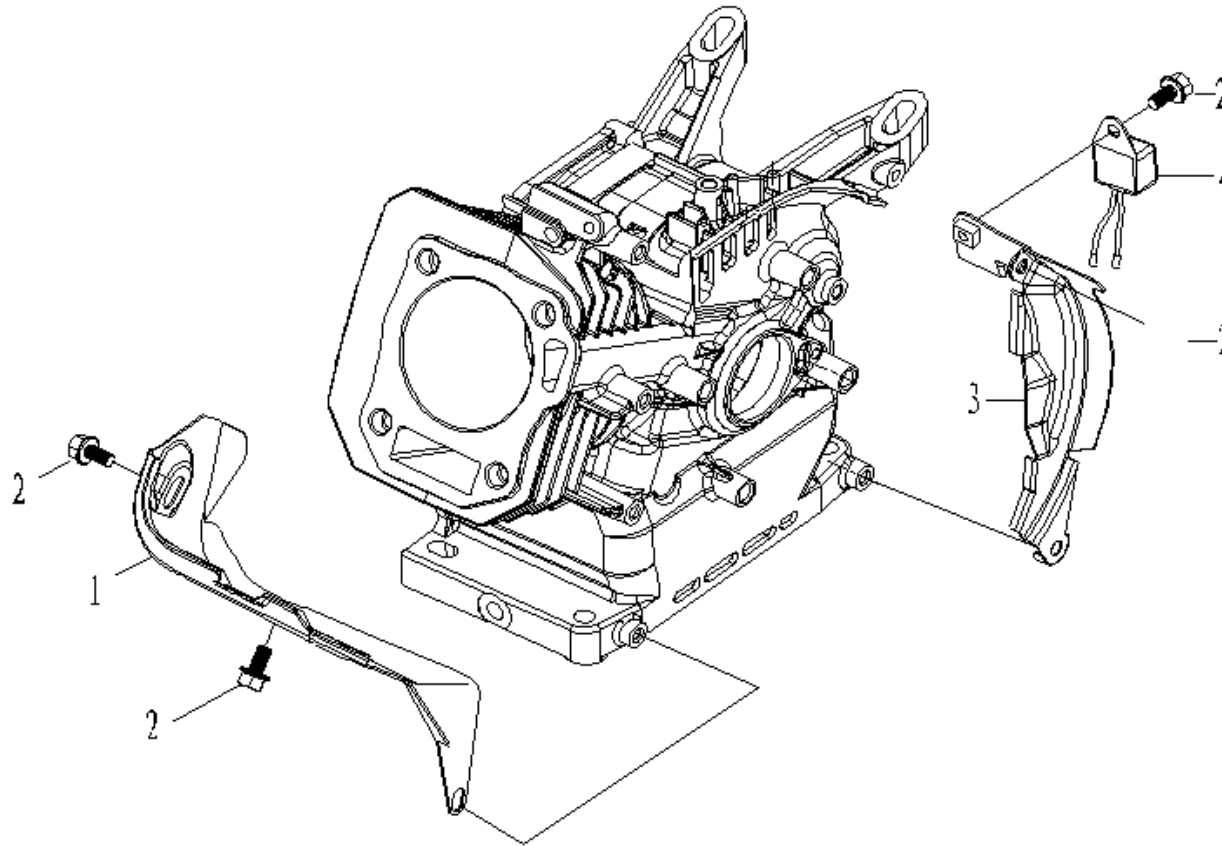
SL NO	PART NO	DESCRIPTION	SL NO	PART NO	DESCRIPTION
1	AM-170FPK-EN01	MUFFLER COMP			
2	AM-170FPK-EN02	MUFFLER COMP			
3	AM-170FPK-EN03	GUIDING COVER			
4	AM-170FPK-EN04	SCREW			
5.1	AM-170FPK-EN5.1	FLYWHEEL			
5.2	AM-170FPK-EN5.2	FLYWHEEL			
6	AM-170FPK-EN6	BOLT			
7	AM-170FPK-EN7	BOLT			
8	AM-170FPK-EN8	AIR EXHAUST WASHER			
9	AM-170FPK-EN9	NUT			
10	AM-170FPK-EN10	SPRING WASHER			

FUEL OIL ASSY-P



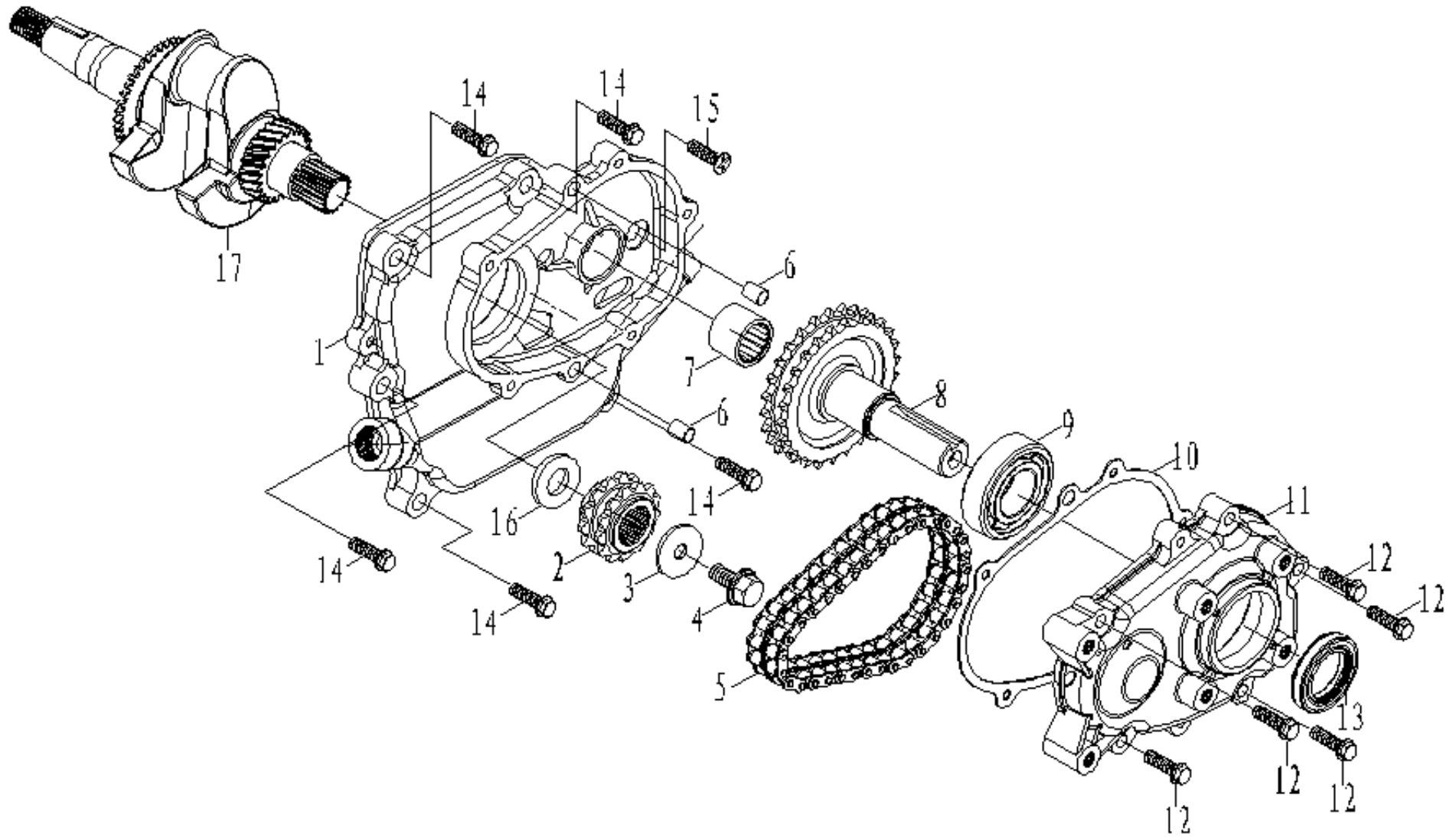
SL NO	PART NO	DESCRIPTION	SL NO	PART NO	DESCRIPTION
1.1	AM-170FPK-EP1.1	TANK FUEL COMP			
1.2	AM-170FPK-EP1.2	TANK FUEL COMP			
2	AM-170FPK-EP02	FUEL FILLER CAP COMP			
3	AM-170FPK-EP03	FUEL FILLER PACKING			
4	AM-170FPK-EP04	FILTER FUEL			
5	AM-170FPK-EP5.1	FUEL TANK			
6	AM-170FPK-EP5.2	FUEL TANK			
7	AM-170FPK-EP06	PACKING			
8	AM-170FPK-EP07	FUEL TANK JOINT			
9	AM-170FPK-EP08	TUBE CLIP			
10	AM-170FPK-EP09	FUEL TUBE			
11	AM-170FPK-EP10	BOLT			

WIND DEFLECTOR - Q



SL NO	PART NO	DESCRIPTION	SL NO	PART NO	DESCRIPTION
1	AM-170FPK-EQ01	WINDSHIELD			
2	AM-170FPK-EQ02	BOLT			
3	AM-170FPK-EQ03	SHROUD COMP			
4	AM-170FPK-EQ04	PROTECTIVE BREAKER			

REDUCTION ASSY - R



SL NO	PART NO	DESCRIPTION	SL NO	PART NO	DESCRIPTION
1	AM-170FPK-ER01	CRANKCASE COVER ASSY	10	AM-170FPK-ER10	PACKING
2	AM-170FPK-ER02	DRIVE SPROCKET WHEEL	11	AM-170FPK-ER11	REDUCTION GEARBOX COVER
3	AM-170FPK-ER03	WASHER	12	AM-170FPK-ER12	BOLT
4	AM-170FPK-ER04	BOLT	13	AM-170FPK-ER13	OIL SEAL
5	AM-170FPK-ER05	CHAIN COMP	14	AM-170FPK-ER14	BOLT
6	AM-170FPK-ER06	DOWEL PIN	15	AM-170FPK-ER15	SCREW
7	AM-170FPK-ER07	BEARING	16	AM-170FPK-ER16	WASHER
8	AM-170FPK-ER08	DRIVEN SPROCKET WHEEL	17	AM-170FPK-ER17	CRANK SHAFT ASSY
9	AM-170FPK-ER09	BEARING			

INSPECTION & MAINTAINANCE

For safety use, make sure the machine is cleaned every three months. Before working, make sure to inspect the filter and the nozzle and ensure there is no impurity. After working, make sure there is no water in the pump and the hose.

If the machine needs to be repaired in the guarantee period, please return the machine to the shop. You need to provide the certificate of purchase on order to repair or get the substitute.

Before packing, the machine should be cleaned, then use closed packaging, packaging should be firm. Store the machine in dry place.

For transportation safety. The machine should comply with ISTA.






Do not dispose of electrical machines as unsorted municipal waste, use separate collection facilities.

If electrical machines are disposed of in landfills or dumps, hazardous substances can leak into the ground water and get into the food chain, damaging your health and well being.

When replacing old machines with new ones, the retailer is legally obligated to take back your old machine for disposals at least free of charge.

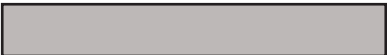




WARRANTY CARD

CUSTOMER COPY

DATE _____	DATE OF DELIVERY _____	DEALERS OFFICIAL SEAL	DEALERS SIGN _____
PURCHASERS NAME & ADDRESS _____ _____	 CUSTOMER SIGN		
PRODUCT NAME	PRODUCT SERIAL NO.	INVOICE/DN NO.	
			






I/Will accept the terms and conditions of warranty as in the warranty card

DEALERS COPY

DATE _____	DATE OF DELIVERY _____	DEALERS OFFICIAL SEAL	DEALERS SIGN _____
PURCHASERS NAME & ADDRESS _____ _____	 CUSTOMER SIGN		
PRODUCT NAME	PRODUCT SERIAL NO.	INVOICE/DN NO.	
			

I/Will accept the terms and conditions of warranty as in the warranty card

COMPANY COPY

DATE _____	DATE OF DELIVERY _____	DEALERS OFFICIAL SEAL	DEALERS SIGN _____
PURCHASERS NAME & ADDRESS _____ _____	 CUSTOMER SIGN		
PRODUCT NAME	PRODUCT SERIAL NO.	INVOICE/DN NO.	
			

I/Will accept the terms and conditions of warranty as in the warranty card

1. LIMITED WARRANTY PERIOD : For a period of six months from the date of Sale / delivery of the product which ever is earlier. 2. LIMITED WARRANTY OBLIGATION : Replacement of defective part(s) by authorized dealer are free of charges. If found defective by reasons of defective material / poor workmanship, parts will be replaced and there will be no value re-imburement. 3. TERMS & CONDITIONS : a. Claims under warranty will be accepted on submission of Warranty Card duly filled and stamped by authorized dealer together with the original purchase document. : b. Shipping / transportation / Incidental charges incurred in replacing defective parts under warranty shall be borne by the purchaser

WARRANTY null & void if

- (i) Lack of maintenance, (ii) Incorrect use of the machine or tampering, (iii) Use of non-genuine spare parts, (iv) Usage of acids, solvents, or any flammable materials, (v) Non-usage of filter water / clear water / soft water & using water above 40°C temperature, (vi) While using the pressure washers to draw water which is contaminated with dust & solvents (eg. paint thinners, gasoline, oil, etc.), (vii) Repair done by unauthorized service people, (viii) Those parts subject to wear & tear due to normal operations and plastic parts, rubber items etc, (ix) Loose connections, faulty electrical fixtures & fluctuations in power supply.
- 4. Should any failure occur during or after the warranty period, customer does not have the right to interrupt payment / price discount.
- 5. Incidental or consequential damages like inconvenience commercial loss, loss of tie, mental agony etc.
- 6. Loss of any nature due to operation or non-operation is not covered under warranty.
- 7. All free service are at Dealer's service point only.
- 8. Warranty ceases if service is not done periodically.
- 9. The attached card should be completed and returned to Ratnagiri Impex Pvt. Ltd. for registration immediately after sale / delivery.
- 10. The warranty is void unless you register the warranty card with Ratnagiri Impex Pvt. Ltd.
- 11. The decision of Ratnagiri Impex Pvt. Ltd., in settling the warranty is final in all respects.
- 12. All disputes are subject to Bangalore Courts Jurisdiction

1. LIMITED WARRANTY PERIOD : For a period of six months from the date of Sale / delivery of the product which ever is earlier. 2. LIMITED WARRANTY OBLIGATION : Replacement of defective part(s) by authorized dealer are free of charges. If found defective by reasons of defective material / poor workmanship, parts will be replaced and there will be no value re-imburement. 3. TERMS & CONDITIONS : a. Claims under warranty will be accepted on submission of Warranty Card duly filled and stamped by authorized dealer together with the original purchase document. : b. Shipping / transportation / Incidental charges incurred in replacing defective parts under warranty shall be borne by the purchaser.

WARRANTY null & void if

- (i) Lack of maintenance, (ii) Incorrect use of the machine or tampering, (iii) Use of non-genuine spare parts, (iv) Usage of acids, solvents, or any flammable materials, (v) Non-usage of filter water / clear water / soft water & using water above 40°C temperature, (vi) While using the pressure washers to draw water which is contaminated with dust & solvents (eg. paint thinners, gasoline, oil, etc.), (vii) Repair done by unauthorized service people, (viii) Those parts subject to wear & tear due to normal operations and plastic parts, rubber items etc, (ix) Loose connections, faulty electrical fixtures & fluctuations in power supply.
- 4. Should any failure occur during or after the warranty period, customer does not have the right to interrupt payment / price discount.
- 5. Incidental or consequential damages like inconvenience commercial loss, loss of tie, mental agony etc.
- 6. Loss of any nature due to operation or non-operation is not covered under warranty.
- 7. All free service are at Dealer's service point only.
- 8. Warranty ceases if service is not done periodically.
- 9. The attached card should be completed and returned to Ratnagiri Impex Pvt. Ltd. for registration immediately after sale / delivery.
- 10. The warranty is void unless you register the warranty card with Ratnagiri Impex Pvt. Ltd.
- 11. The decision of Ratnagiri Impex Pvt. Ltd., in settling the warranty is final in all respects.
- 12. All disputes are subject to Bangalore Courts Jurisdiction

1. LIMITED WARRANTY PERIOD : For a period of six months from the date of Sale / delivery of the product which ever is earlier. 2. LIMITED WARRANTY OBLIGATION : Replacement of defective part(s) by authorized dealer are free of charges. If found defective by reasons of defective material / poor workmanship, parts will be replaced and there will be no value re-imburement. 3. TERMS & CONDITIONS : a. Claims under warranty will be accepted on submission of Warranty Card duly filled and stamped by authorized dealer together with the original purchase document. : b. Shipping / transportation / Incidental charges incurred in replacing defective parts under warranty shall be borne by the purchaser.

WARRANTY null & void if

- (i) Lack of maintenance, (ii) Incorrect use of the machine or tampering, (iii) Use of non-genuine spare parts, (iv) Usage of acids, solvents, or any flammable materials, (v) Non-usage of filter water / clear water / soft water & using water above 40°C temperature, (vi) While using the pressure washers to draw water which is contaminated with dust & solvents (eg. paint thinners, gasoline, oil, etc.), (vii) Repair done by unauthorized service people, (viii) Those parts subject to wear & tear due to normal operations and plastic parts, rubber items etc, (ix) Loose connections, faulty electrical fixtures & fluctuations in power supply.
- 4. Should any failure occur during or after the warranty period, customer does not have the right to interrupt payment / price discount.
- 5. Incidental or consequential damages like inconvenience commercial loss, loss of tie, mental agony etc.
- 6. Loss of any nature due to operation or non-operation is not covered under warranty.
- 7. All free service are at Dealer's service point only.
- 8. Warranty ceases if service is not done periodically.
- 9. The attached card should be completed and returned to Ratnagiri Impex Pvt. Ltd. for registration immediately after sale / delivery.
- 10. The warranty is void unless you register the warranty card with Ratnagiri Impex Pvt. Ltd.
- 11. The decision of Ratnagiri Impex Pvt. Ltd., in settling the warranty is final in all respects.
- 12. All disputes are subject to Bangalore Courts Jurisdiction



FREE SERVICE COUPON (30DAYS/30HRS. WHICHEVER IS EARLIER)

MODEL

SERIAL NUMBER

PDI DATE

SERVICE NO.

PURCHASE BILL NO.

DATE

DEALERS OFFICE SEAL

- 1. Check and test the fuel mixture
- 3. Check , clean and adjust the spark plug
- 5. Check and sparken the cutting tools
- 7. Start and check the noise, vibration, loosen etc..

OPERATIONS

- 2. check and clean the air filter
- 4. Check and adjust the carburetor tuning
- 6. Product familirisation on usage
- 8. Routine maintenance and shortage.

FREE SERVICE COUPON (30DAYS/30HRS. WHICHEVER IS EARLIER)

MODEL

SERIAL NUMBER

PDI DATE

SERVICE NO.

PURCHASE BILL NO.

DATE

DEALERS OFFICE SEAL

- 1. Check and test the fuel mixture
- 3. Check , clean and adjust the spark plug
- 5. Check and sparken the cutting tools
- 7. Start and check the noise, vibration, loosen etc..

OPERATIONS

- 2. check and clean the air filter
- 4. Check and adjust the carburetor tuning
- 6. Product familirisation on usage
- 8. Routine maintenance and shortage.

FREE SERVICE COUPON (30DAYS/30HRS. WHICHEVER IS EARLIER)

MODEL

SERIAL NUMBER

PDI DATE

SERVICE NO.

PURCHASE BILL NO.

DATE

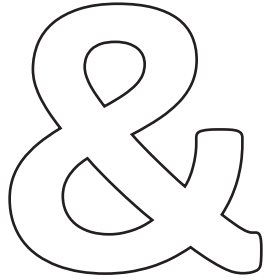
DEALERS OFFICE SEAL

- 1. Check and test the fuel mixture
- 3. Check , clean and adjust the spark plug
- 5. Check and sparken the cutting tools
- 7. Start and check the noise, vibration, loosen etc..

OPERATIONS

- 2. check and clean the air filter
- 4. Check and adjust the carburetor tuning
- 6. Product familirisation on usage
- 8. Routine maintenance and shortage.

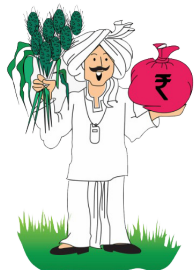
DOS



DONTs

1. Always read the instruction manual supplied along with the equipments and understand the correct installation and operating procedures before attempting to use the equipments.
2. It is important to use the personal protection equipments such as head helmet with visor, ear defenders, goggles, safety gloves, cut resistant shoes, trousers and jackets while operating potentially dangerous machines
3. Avoid untrained persons using the equipments. Children must not be allowed to handle these equipments
4. Always use genuine spares and accessories in repairs and usage to derive maximum life of the equipments.
5. Always keep the equipments in good working condition to minimize loss of output as well as to reduce the pollution and save the environment
6. Do not use the machine within range of persons unless they wear protective clothing
7. Do not operate the machine when fatigued or under the influence of alcohol or drugs
8. When the machine is running, please maintain a constant water supply. Without water circulation will damage the sealing rings of the machine.
9. For more query kindly contact for our Service Center/Dealer/ franchise

AGRIMATE MULTI PURPOSE EQUIPMENT ANYWHERE - ANYTIME - ANY CROP



 **ratnagiri[®]
impeX**
BRINGING YOU THE FUTURE... NOW

IMPORTED & MARKETING BY,
RATNAGIRI IMPEX PVT., LTD.,
Annapurna House, #1 / 1G, 7th Cross, New
Guddadahalli Mysore Road, Bangalore - 560 026
Missed Call : 7393 938 938 Email: ask@agrimart.in