

**INTERCULTIVATOR/POWER WEEDER**  
**AM-RTD-5D-CHAMPION NEW**      **MANUAL START**

**ENGINE PART DIAGRAM**



# INTRODUCTION

Please pursue the contents in the instructions manual prior to using this machine, correctly carried out installation and debugging, as well as use it strictly according to the working specifications in the instruction manual. The user should be familiar with the safety notices, machine performance and maintenance, etc. The instruction manual will be used in the later use, repair, accessories replacement, and accessories procurement, so please keep it carefully.

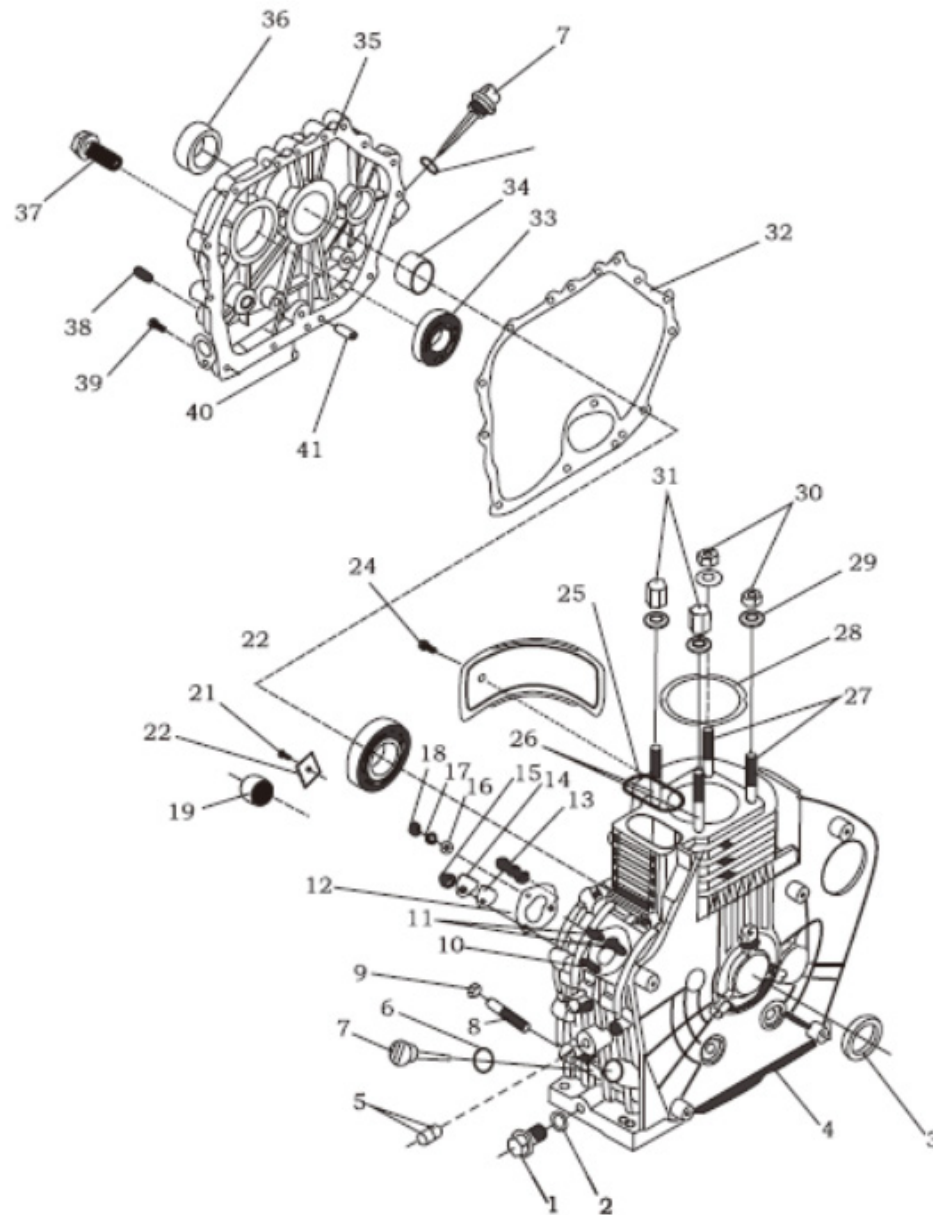
# OPERATING INSTRUCTION

1. Securely mount the machine on the frame, ensure the two belt pulleys be parallel and on the same plane, and the tension of belt be moderate.
2. Add 30~ 40# machine oil up to 1/2 of oil gauge plug
3. The connectors of each rubber pipe and high pressure pipe must be locked tightly.
4. Before start the motor, open the jet gun and ball cock and loosen the adjusting screw
5. Start the motor, keeping it at appropriate velocity, waiting there is water ejecting from the jet gun, close the jet gun or ball cock, and adjust screw to let the pressure reach the working pressure.
6. Turn on the ball cock and jet gun, beginning spraying. During the process may properly adjust the adjusting screw to maintain the required pressure and lock tightly the fly nut at any moment.
7. After spraying, operate the sprayer with clean water for 2~3 minutes to clean the residual interior chemicals.
8. Firstly dismantle the suction hose, waiting there is no water flowing out from the jet gun or the overflow hose, stop the machine and dismantle overflow hose, high pressure pipe and loosen the adjusting screw.

# TECHNICAL SPECIFICATIONS

Model	AM-RTD-5D CHAMPION NEW
Engine	AM-173FD
Starting	MANUAL
Displacement	247CC
Fuel Tank Capacity	2.5LTR
Driving Model	GEAR TRANSMISSION
Oil Capacity in Gear box	1.8LTR
Gears	2 FORWARD,1 REVERSE
Tilling Width	600-1000MM
Tilling Depth	≥150MM
Net Weight	110

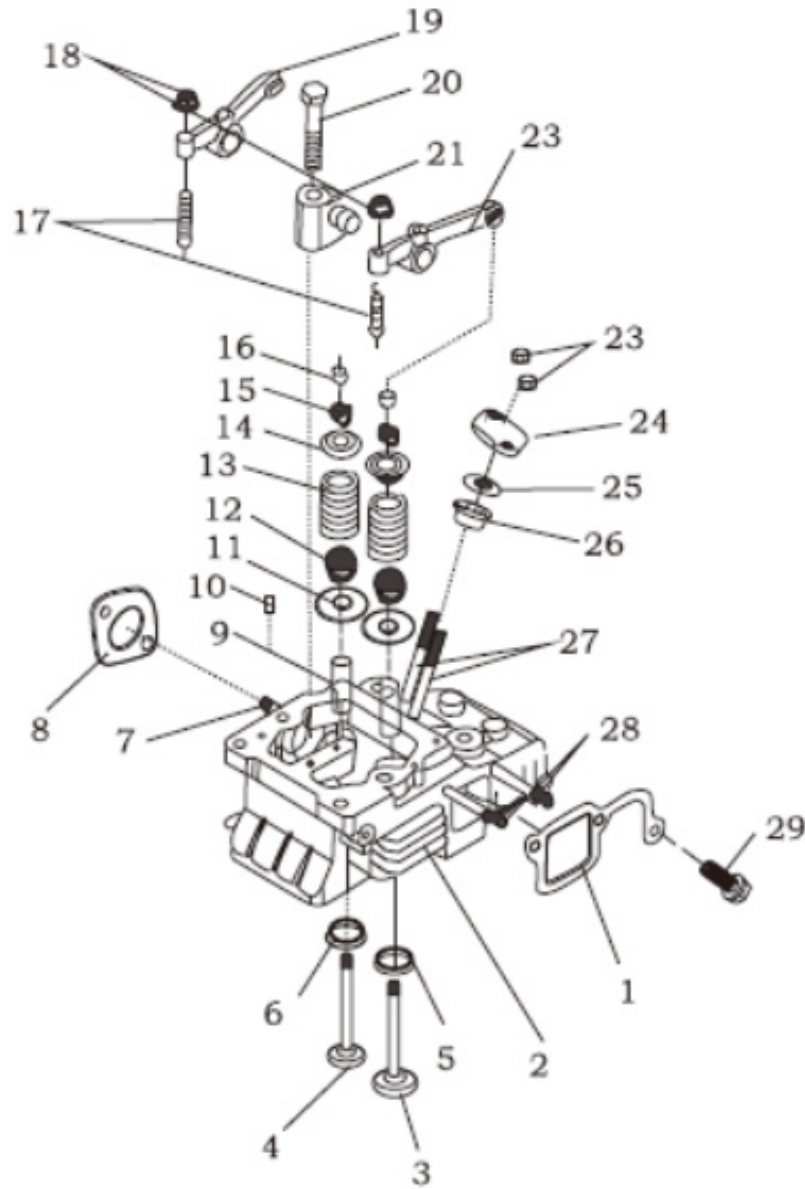
# Cylinder Block Assy - A



SL NO	PART NO	DESCRIPTION	SL NO	PART NO	DESCRIPTION
1	AM-178FDM-A01	Drain Plug Screw	17	AM-178FDM-A17	Gasket
2	AM-178FDM-A02	Washer unit of Drain plug	18	AM-178FDM-A18	Nut
3	AM-178FDM-A03	Oil seal	19	AM-178FDM-A19	Needle Bearing
4	AM-178FDM-A04	Cylinder Block	20	AM-178FDM-A20	Thrust Plate
5	AM-178FDM-A05	Needle Bearing	21	AM-178FDM-A21	Bolt
6	AM-178FDM-A06	O- Ring	22	AM-178FDM-A22	Ball Bearing
7	AM-178FDM-A07	Oil Dipstick	23	AM-178FDM-A23	Air Cover
8	AM-178FDM-A08	Fuel Controller Assy	24	AM-178FDM-A24	Bolt
9	AM-178FDM-A09	Nut	25	AM-178FDM-A25	Sheet Gasket
10	AM-178FDM-A10	Forcing Stud of Fuel Injection Pump ( Short )	26	AM-178FDM-A26	Cylinder Head stud Bolt (Short )
11	AM-178FDM-A11	Forcing Stud of Fuel Injection Pump ( Long )	27	AM-178FDM-A27	Cylinder Head stud Bolt (Long)
12	AM-178FDM-A12	Fuel Injection Pump Washer	28	AM-178FDM-A28	Cylinder Head Shim
13	AM-178FDM-A13	Joint Washer	29	AM-178FDM-A29	Cylinder Head Nut Gasket
14	AM-178FDM-A14	Seal plate	30	AM-178FDM-A30	Cylinder Head Nut (Thin)
15	AM-178FDM-A15	Nut	31	AM-178FDM-A31	Cylinder Head Nut (Thick)
16	AM-178FDM-A16	Gasket	32	AM-178FDM-A32	Crankcase Cover Washer



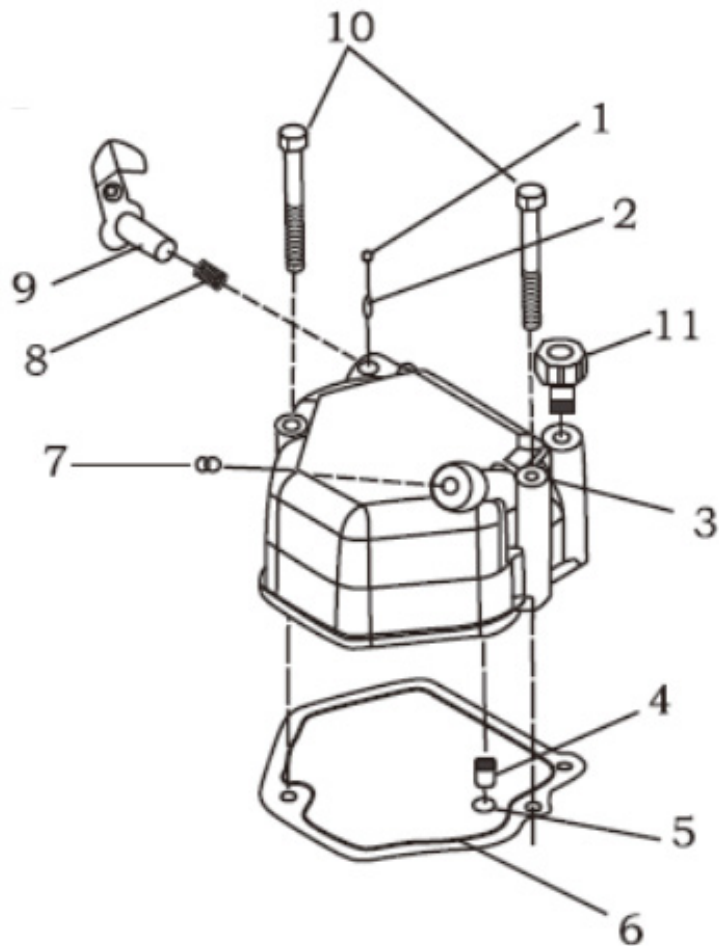
# Cylinder Head Assy - B



SL NO	PART NO	DESCRIPTION	SL NO	PART NO	DESCRIPTION
1	AM-178FDM-B01	Intake Pipe Shim	17	AM-178FDM-B17	Valve clearance adjusting screw
2	AM-178FDM-B02	Cylinder Head	18	AM-178FDM-B18	Valve clearance adjustment locking nut
3	AM-178FDM-B03	Intake Valve	19	AM-178FDM-B19	Exhaust valve Rocker Arm
4	AM-178FDM-B04	Exhaust Valve	20	AM-178FDM-B20	Set Bolt of Rocker arm seat
5	AM-178FDM-B05	Inlet Valve Seat	21	AM-178FDM-B21	Rocker Arm Seat Assy
6	AM-178FDM-B06	Exhaust valve Seat	22	AM-178FDM-B22	Intake Valve Rocker Arm
7	AM-178FDM-B07	Stud	23	AM-178FDM-B23	Nut
8	AM-178FDM-B08	Muffler shim	24	AM-178FDM-B24	Fuel Injection Valve Retainer
9	AM-178FDM-B09	Valve Conduit	25	AM-178FDM-B25	Heat insulator Gasket
10	AM-178FDM-B10	Pin	26	AM-178FDM-B26	Heat insulator
11	AM-178FDM-B11	Valve Spring gasket	27	AM-178FDM-B27	Stud
12	AM-178FDM-B12	Valve Conduit Oil Seal	28	AM-178FDM-B28	Stud
13	AM-178FDM-B13	Valve Spring	29	AM-178FDM-B29	Stud
14	AM-178FDM-B14	Valve Spring Seat			
15	AM-178FDM-B15	Valve Retaining Clip			
16	AM-178FDM-B16	Valve adjusting Cushion			

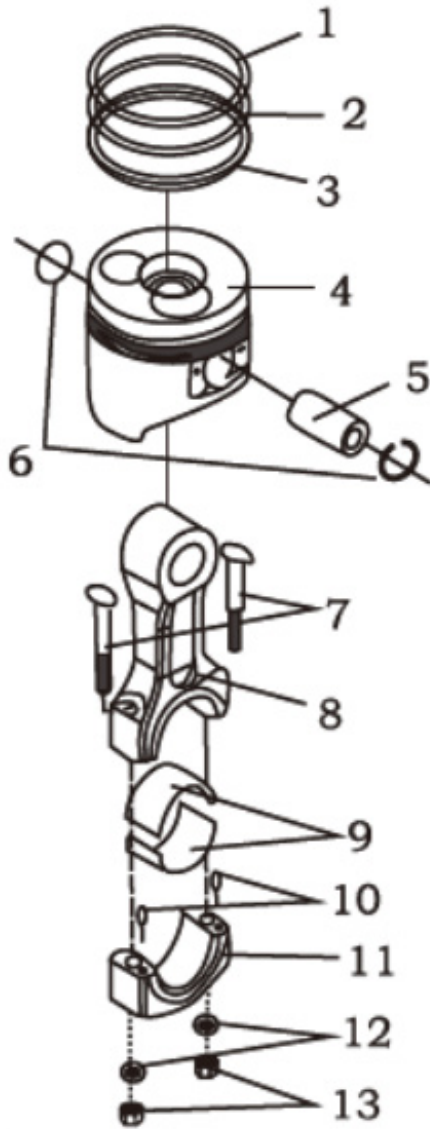


## Cylinder Head Cover Assy - C



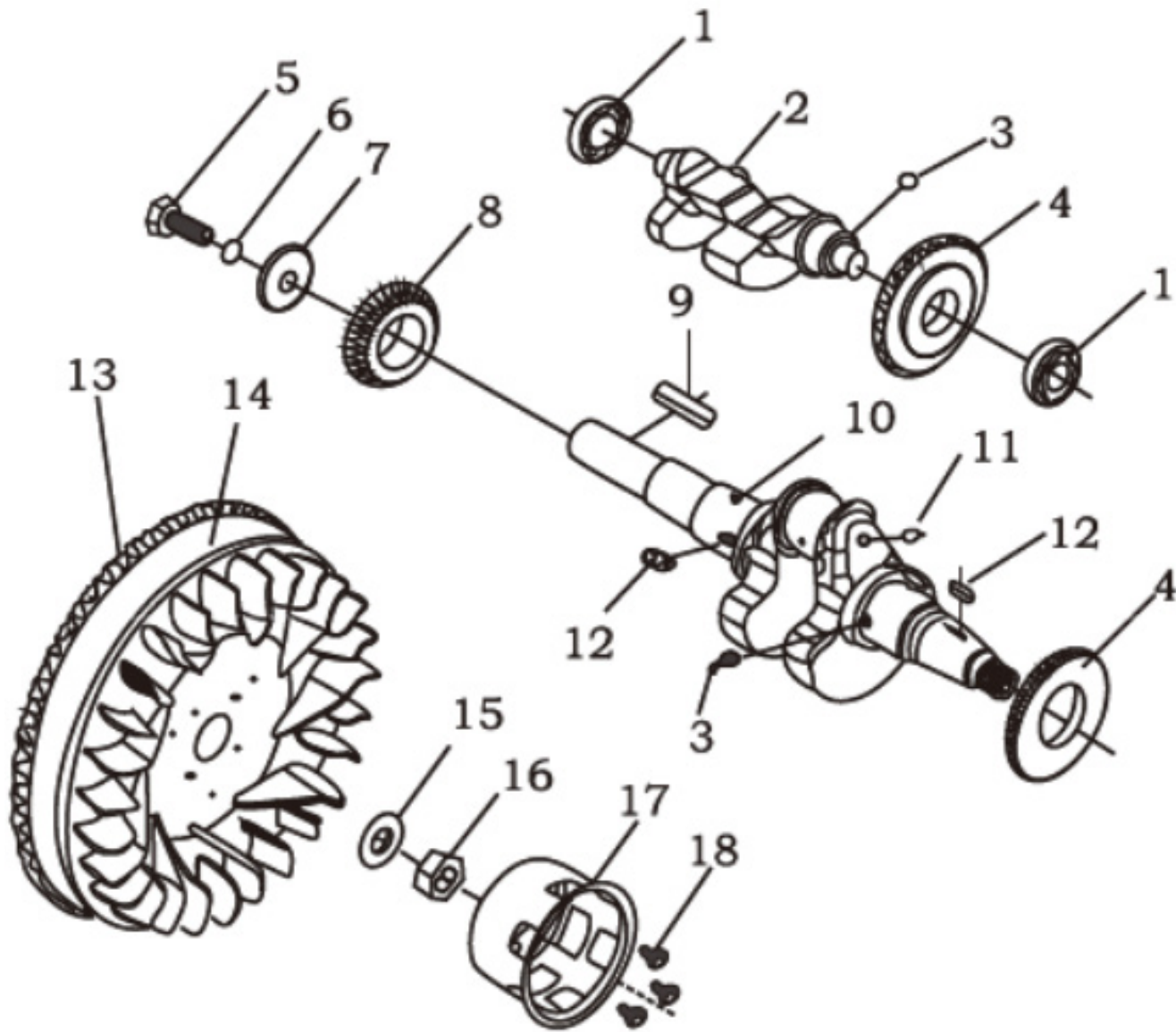
SL NO	PART NO	DESCRIPTION
1	AM-178FDM-C01	Steel Ball
2	AM-178FDM-C02	Rolling Pin
3	AM-178FDM-C03	Cylinder Head Cover
4	AM-178FDM-C04	Breather seat
5	AM-178FDM-C05	O- Ring
6	AM-178FDM-C06	Cylinder Head Cover Assy
7	AM-178FDM-C07	Plunger
8	AM-178FDM-C08	Decompressing Spring
9	AM-178FDM-C09	Decompression Shaft Assy
10	AM-178FDM-C10	Bolt
11	AM-178FDM-C11	Filter Screw

## Piston & Connecting Rod Assy - D



SL NO	PART NO	DESCRIPTION
1	AM-178FDM-D01	First Air Ring
2	AM-178FDM-D02	Second Air Ring
3	AM-178FDM-D03	Oil Ring assy
4	AM-178FDM-D04	Piston
5	AM-178FDM-D05	Piston Pin
6	AM-178FDM-D06	Retainer Ring
7	AM-178FDM-D07	Conncting Rod Bolt
8	AM-178FDM-D08	Connecting Rod Block
9	AM-178FDM-D09	Connecting Rod Shaft Blocking
10	AM-178FDM-D10	Pin
11	AM-178FDM-D11	Connecting Rod Cover
12	AM-178FDM-D12	Connecting Rod Bolt gasket
13	AM-178FDM-D13	Connecting Rod Nut

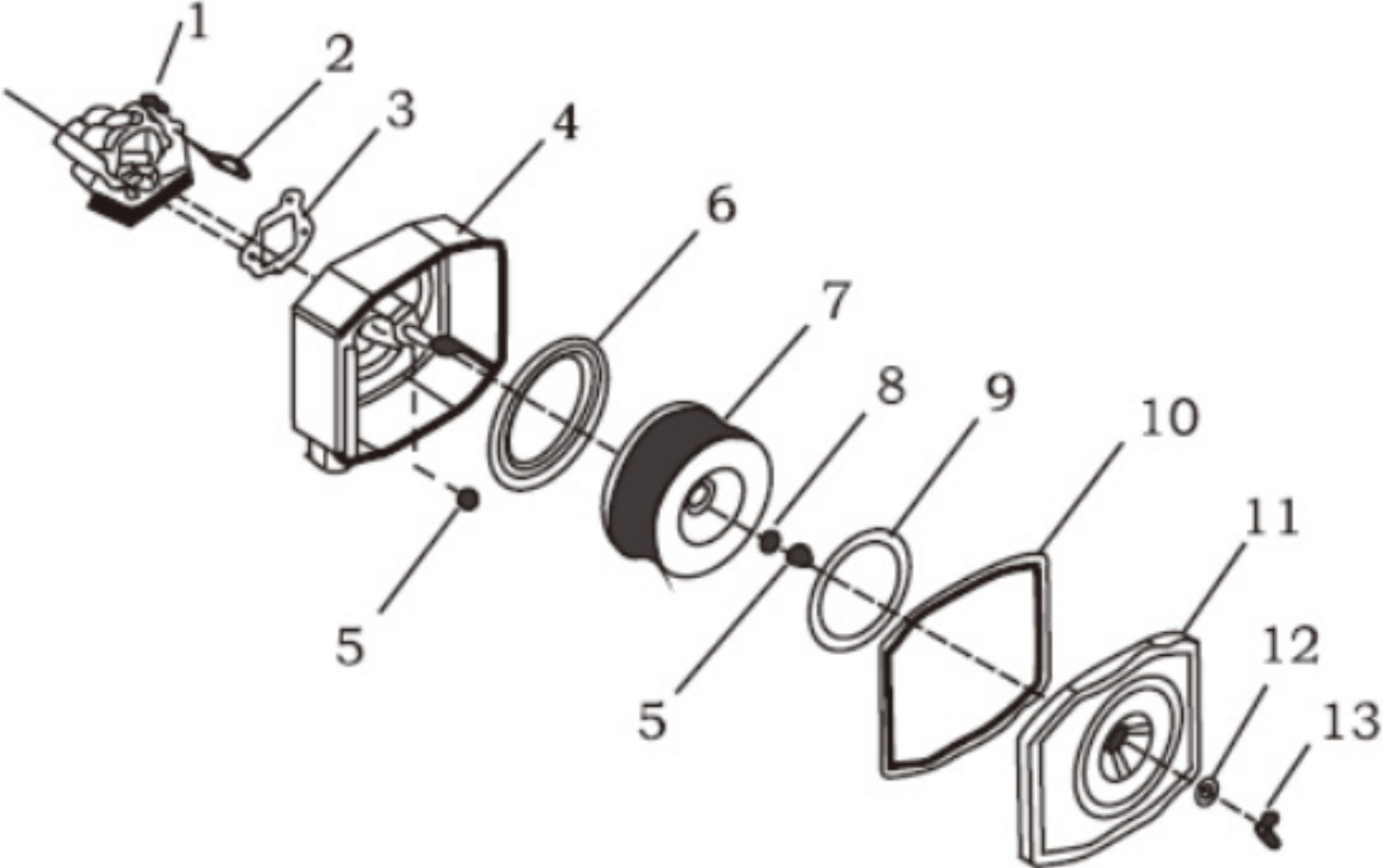
# Crank Shaft & Fly Wheel Assy- E



SL NO	PART NO	DESCRIPTION	SL NO	PART NO	DESCRIPTION
1	AM-178FDM-E01	Ball Bearing	17	AM-178FDM-E17	Starting Ratchet Reel
2	AM-178FDM-E02	Balance Shaft	18	AM-178FDM-E18	Bolt
3	AM-178FDM-E03	Key			
4	AM-178FDM-E04	Drive Gear of Balance Shaft			
5	AM-178FDM-E05	Output Enf set Bolt			
6	AM-178FDM-E06	Gasket			
7	AM-178FDM-E07	Output End Gasket			
8	AM-178FDM-E08	Crankshaft Timing Gear			
9	AM-178FDM-E09	Key			
10	AM-178FDM-E10	Crankshaft			
11	AM-178FDM-E11	Steel ball			
12	AM-178FDM-E12	Key			
13	AM-178FDM-E13	Flywheel Tooth			
14	AM-178FDM-E14	Flywheel			
15	AM-178FDM-E15	Flywheel Nut Gasket			
16	AM-178FDM-E16	Flywheel Nut			



# Air Intake System - G



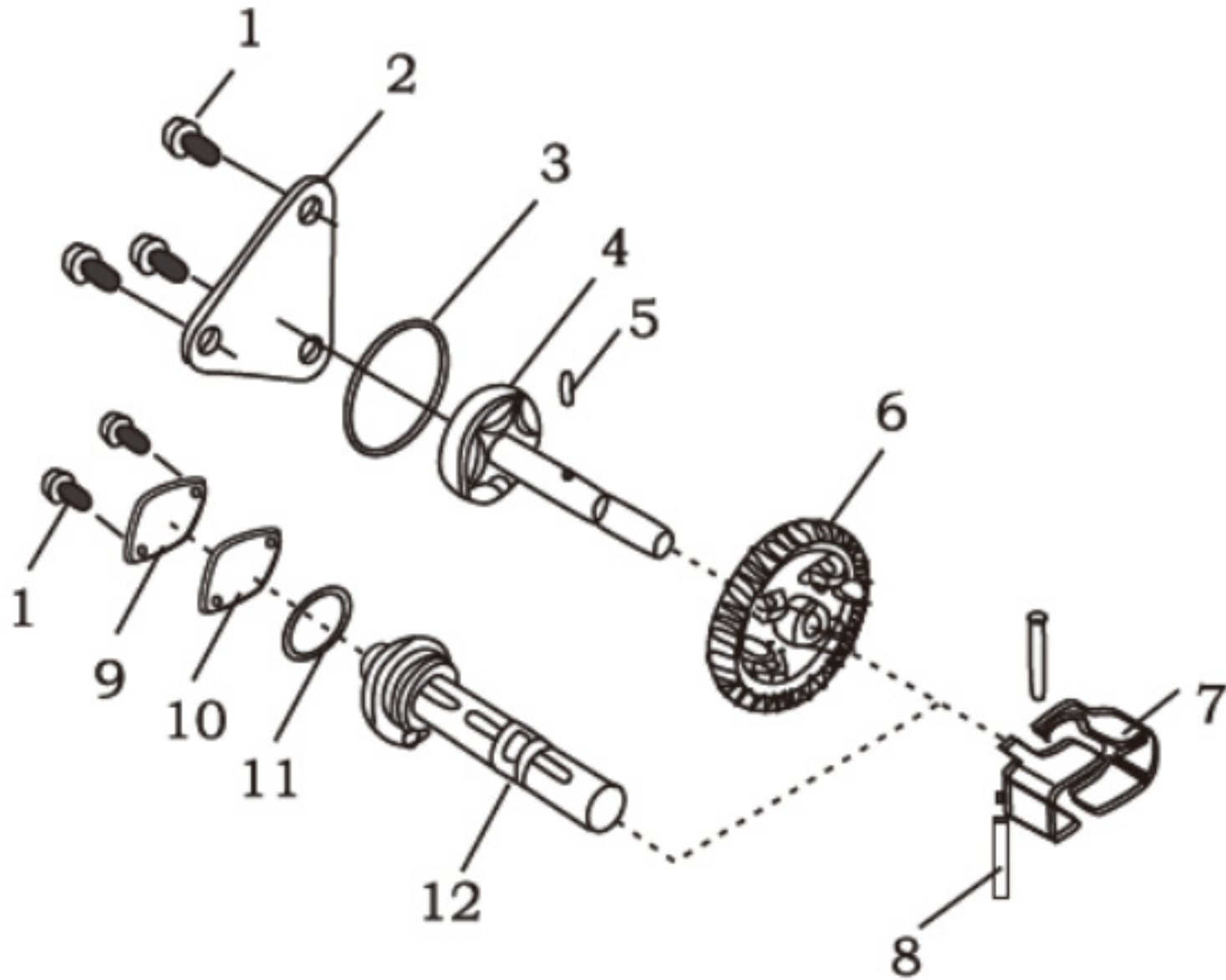
SL NO	PART NO	DESCRIPTION	SL NO	PART NO	DESCRIPTION
1	AM-178FDM-G01	Inlet Pipe			
2	AM-178FDM-G02	Tightening Bolt of Air Cleaner			
3	AM-178FDM-G03	Air Cleaner Washer			
4	AM-178FDM-G04	Air Cleaner Bottom base Assy			
5	AM-178FDM-G05	Nut			
6	AM-178FDM-G06	Shockproof sheet Gasket			
7	AM-178FDM-G07	Air Cleaner Element Assy			
8	AM-178FDM-G08	Shock proof Unit			
9	AM-178FDM-G09	Shock proof sheet Gasket			
10	AM-178FDM-G10	Sheet gasket			
11	AM-178FDM-G11	Air Cleaner			
12	AM-178FDM-G12	Shock Proof Assy			
13	AM-178FDM-G13	Nut			





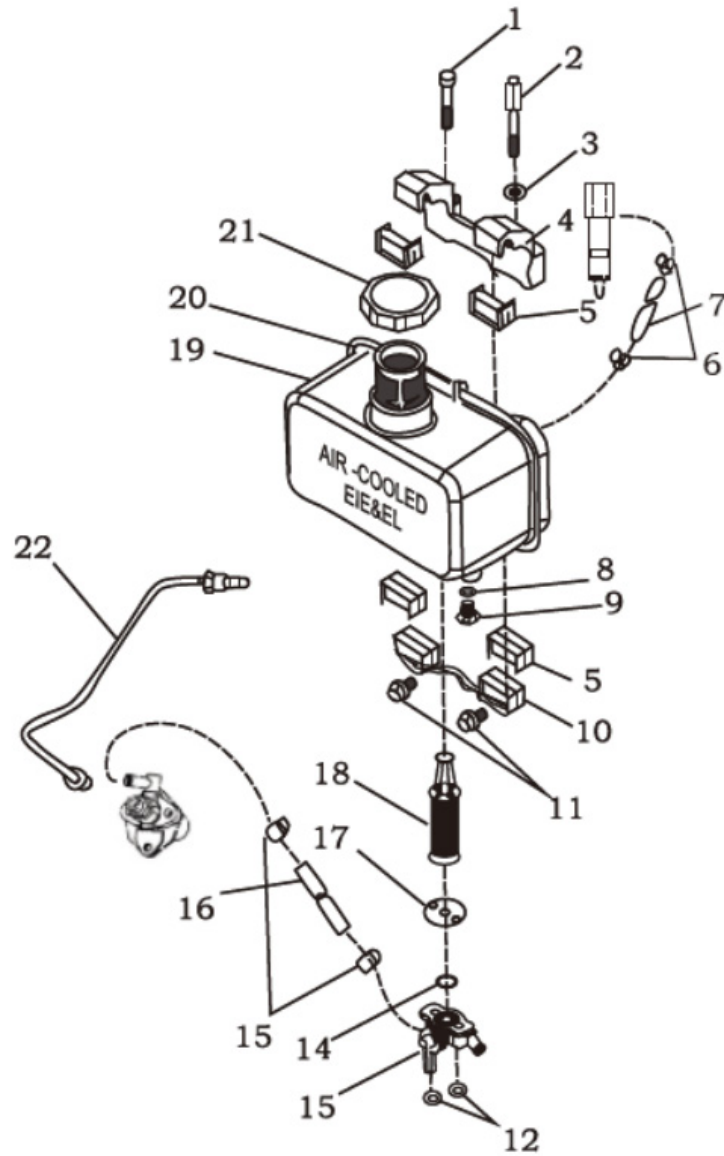


# Lubricating System -K



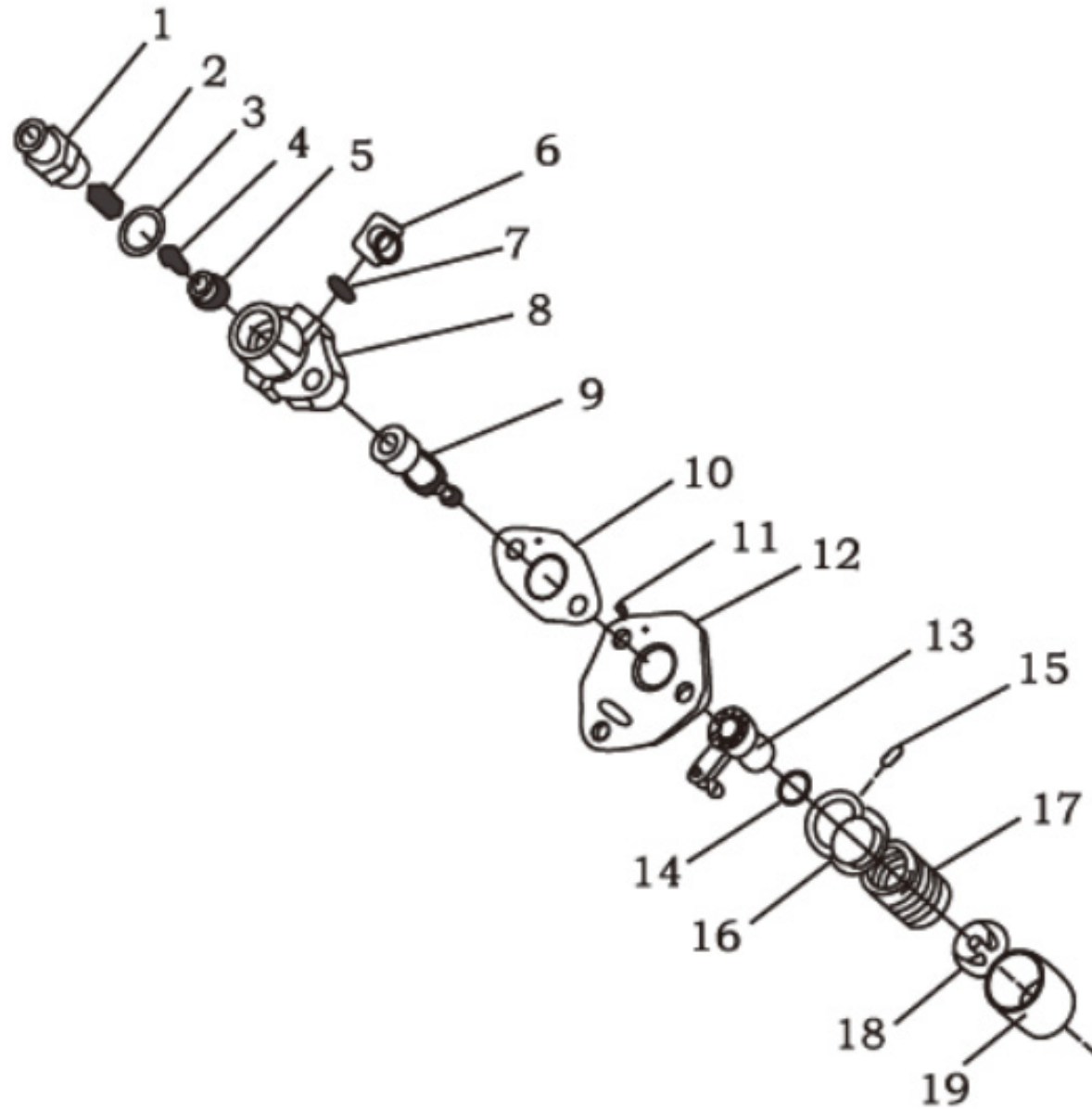
SL NO	PART NO	DESCRIPTION	SL NO	PART NO	DESCRIPTION
1	AM-178FDM-K01	Bolt			
2	AM-178FDM-K02	Lube oil Pump Cover			
3	AM-178FDM-K03	O Ring			
4	AM-178FDM-K04	Engine oil Pump Unit			
5	AM-178FDM-K05	Pin			
6	AM-178FDM-K06	Drive Gear of Lube oil Pump			
7	AM-178FDM-K07	Flying weight			
8	AM-178FDM-K08	Flying weight pin			
9	AM-178FDM-K09	Lube oil cleaner cover			
10	AM-178FDM-K10	Lube oil Cleaner Cover Washer			
11	AM-178FDM-K11	O- Ring			
12	AM-178FDM-K12	Lube oil Fliter Assy			

# Fuel System -L



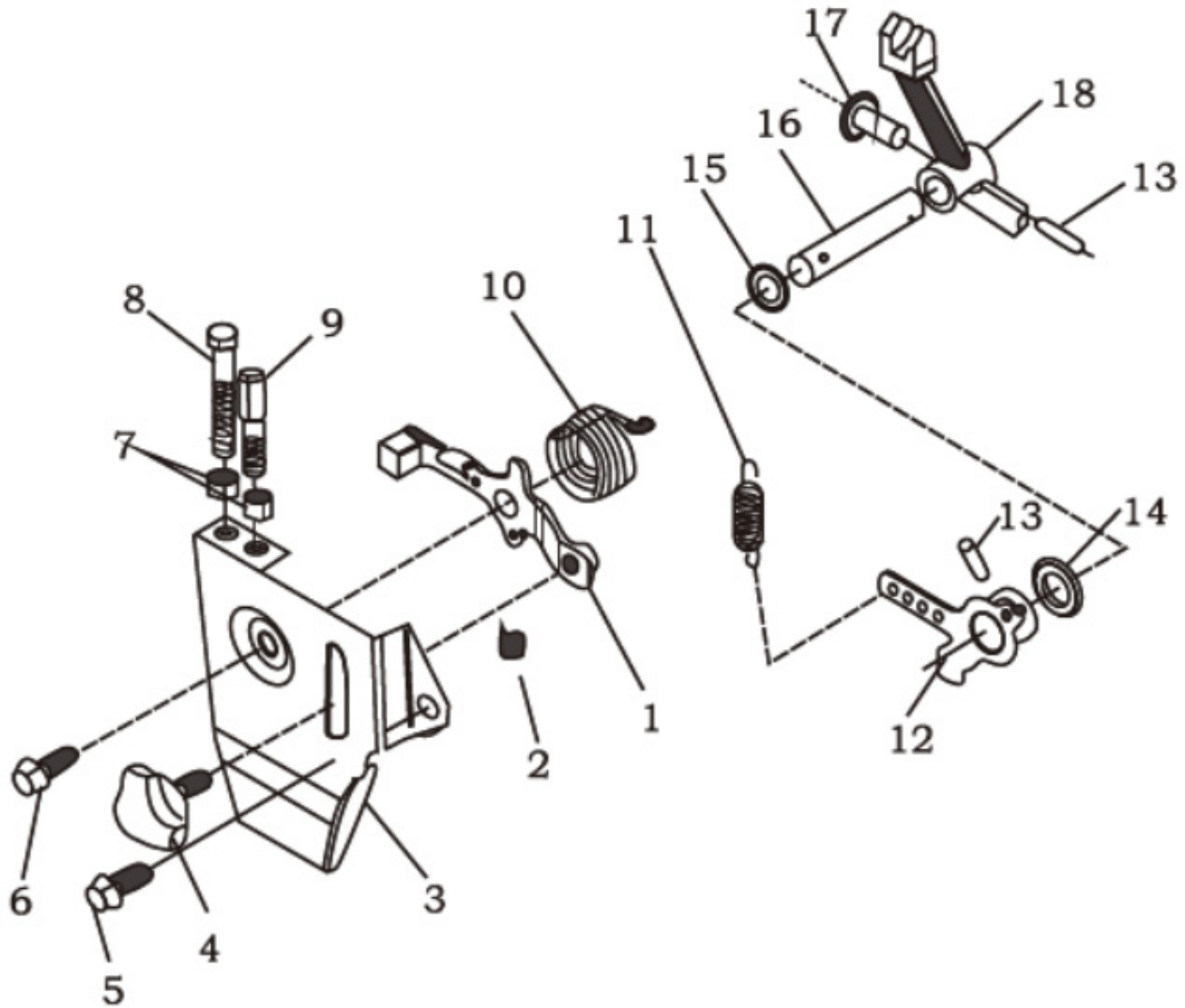
SL NO	PART NO	DESCRIPTION	SL NO	PART NO	DESCRIPTION
1	AM-178FDM-L01	Bolt	17	AM-178FDM-L17	Fuel Filetr Washer
2	AM-178FDM-L02	Set Bolt of Fuel tank Upper Support	18	AM-178FDM-L18	Element assy
3	AM-178FDM-L03	Gasket	19	AM-178FDM-L19	Fuel tank Weldment assy
4	AM-178FDM-L04	Fuel Tank Upper support	20	AM-178FDM-L20	Fuel Tank cap
5	AM-178FDM-L05	Cushion	21	AM-178FDM-L21	Fuel tank cap
6	AM-178FDM-L06	Fuel return pipe Clip	22	AM-178FDM-L22	High Pressure Fuel Pipe Unit
7	AM-178FDM-L07	Fuel return pipe			
8	AM-178FDM-L08	Drain Bolt Washer			
9	AM-178FDM-L09	Bolt			
10	AM-178FDM-L10	Fuel tank Lower Support			
11	AM-178FDM-L11	Bolt			
12	AM-178FDM-L12	Nut			
13	AM-178FDM-L13	Fuel tank Switch Assy			
14	AM-178FDM-L14	O - Ring			
15	AM-178FDM-L15	Clip			
16	AM-178FDM-L16	Fuel Pipe			

# Fuel Injection pipe Assy - M



SL NO	PART NO	DESCRIPTION	SL NO	PART NO	DESCRIPTION
1	AM-178FDM-M01	Fuel Delivery Valve Forcing Holder	17	AM-178FDM-M17	Spring
2	AM-178FDM-M02	Fuel Delivery Valve Spring	18	AM-178FDM-M18	Spring Holder
3	AM-178FDM-M03	Fuel Delivery Valve Sheet Gasket	19	AM-178FDM-M19	Tappet
4	AM-178FDM-M04	Fuel Delivery Valve Core			
5	AM-178FDM-M05	Fuel Delivery Valve seat			
6	AM-178FDM-M06	Fuel Pipe weldment Assy			
7	AM-178FDM-M07	O Ring			
8	AM-178FDM-M08	FIP Block			
9	AM-178FDM-M09	Plunger			
10	AM-178FDM-M10	Washer			
11	AM-178FDM-M11	Pin			
12	AM-178FDM-M12	FIP connecting pipe			
13	AM-178FDM-M13	Fuel Limiting Sheath weldment assy			
14	AM-178FDM-M14	Steel Cliip			
15	AM-178FDM-M15	Pin			
16	AM-178FDM-M16	Support			

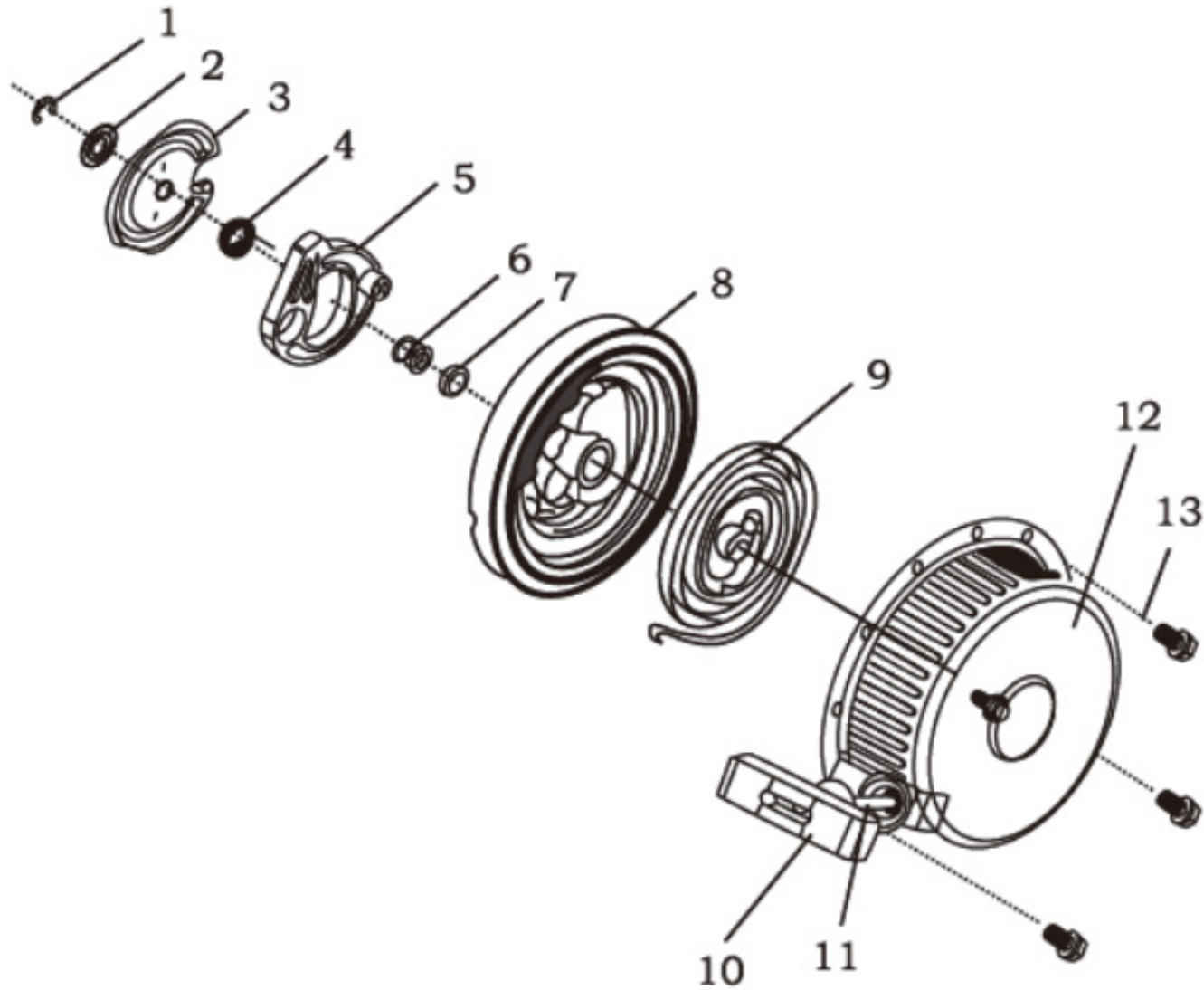
# Governor & Controller Assy - N





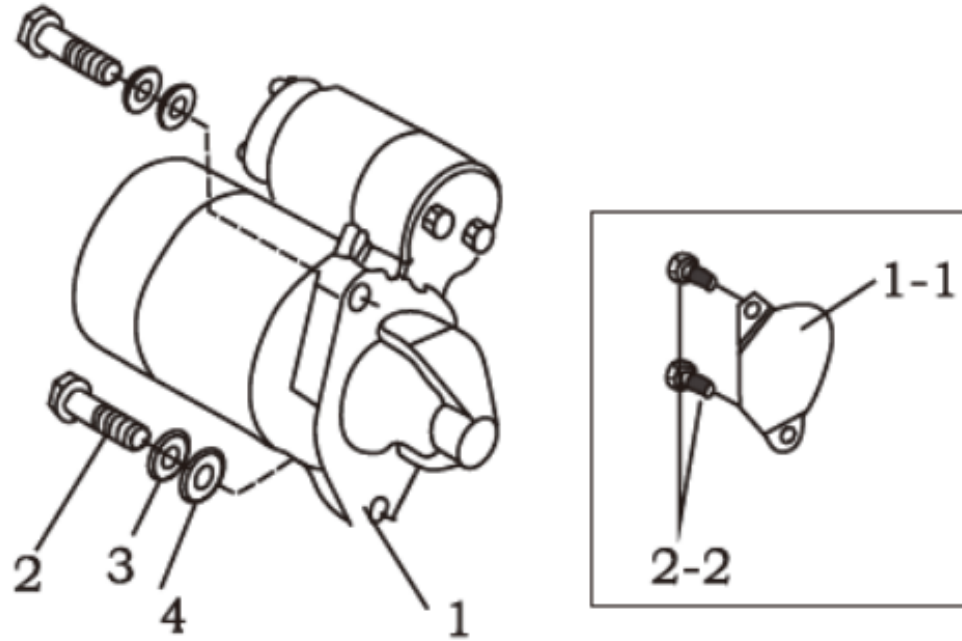
<b>SL NO</b>	<b>PART NO</b>	<b>DESCRIPTION</b>	<b>SL NO</b>	<b>PART NO</b>	<b>DESCRIPTION</b>
1	AM-178FDM-N01	Control handle	17	AM-178FDM-N17	Governor Push reel
2	AM-178FDM-N02	Return Spring II	18	AM-178FDM-N18	Fork
3	AM-178FDM-N03	Control Handle Support			
4	AM-178FDM-N04	Handle			
5	AM-178FDM-N05	Bolt			
6	AM-178FDM-N06	Bolt			
7	AM-178FDM-N07	Nut			
8	AM-178FDM-N08	Pull Bolt			
9	AM-178FDM-N09	High Speed limit Screw			
10	AM-178FDM-N10	Return Spring I			
11	AM-178FDM-N11	Governor Spring			
12	AM-178FDM-N12	Governor Level weldment Assy			
13	AM-178FDM-N13	Pin			
14	AM-178FDM-N14	Gasket			
15	AM-178FDM-N15	Lever Shaft Oil Seal			
16	AM-178FDM-N16	Lever Shaft			

# Manual Starting Assy -P



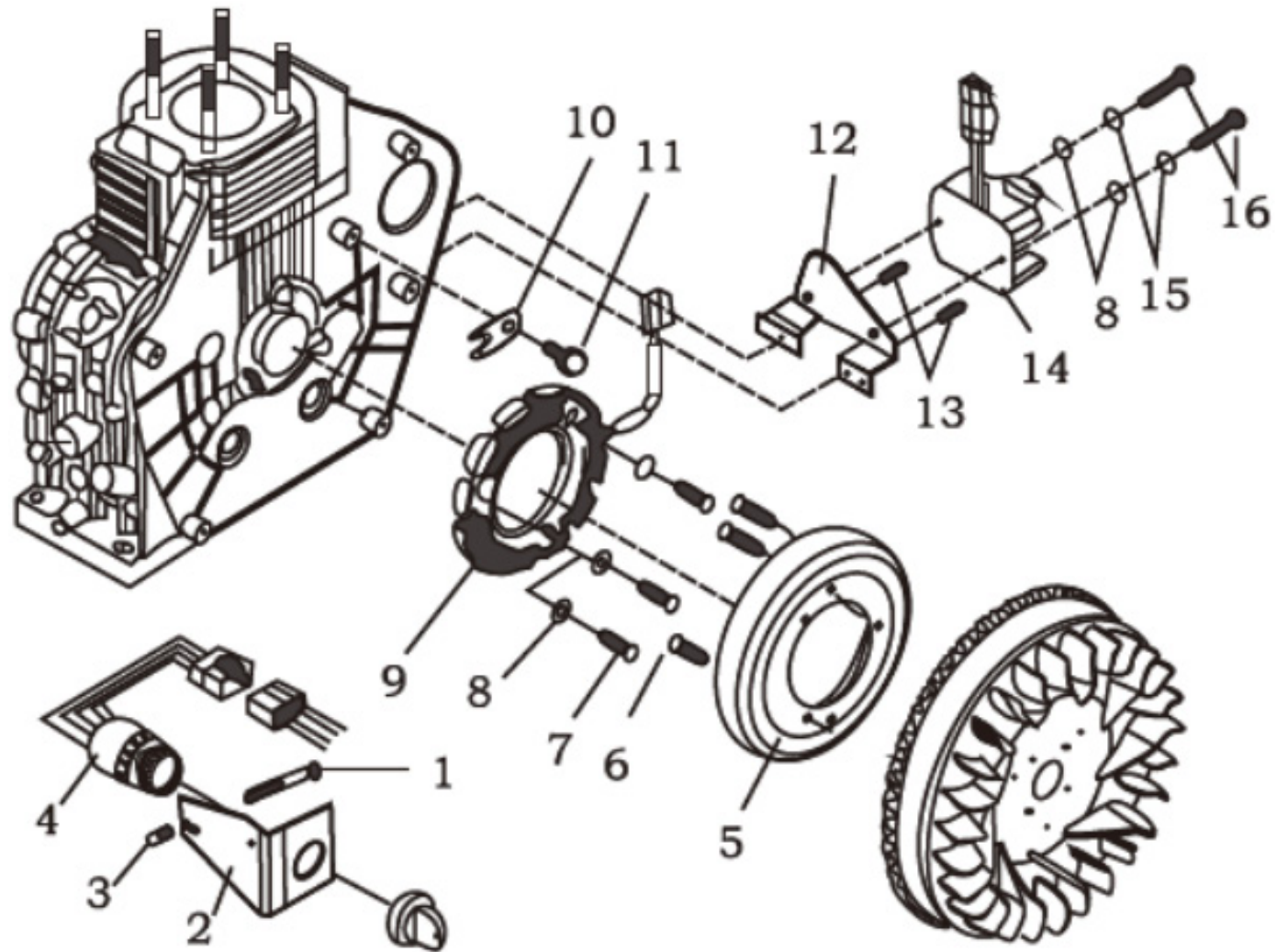
SL NO	PART NO	DESCRIPTION	SL NO	PART NO	DESCRIPTION
1	AM-178FDM-P01	Clip			
2	AM-178FDM-P02	Locking Clip			
3	AM-178FDM-P03	Friction Reel			
4	AM-178FDM-P04	Spiral Spring			
5	AM-178FDM-P05	Ratchet			
6	AM-178FDM-P06	Compression Spring			
7	AM-178FDM-P07	Spring Cover			
8	AM-178FDM-P08	Starter Reel			
9	AM-178FDM-P09	Spiral Spring			
10	AM-178FDM-P10	Starter Handle			
11	AM-178FDM-P11	Starter Rope			
12	AM-178FDM-P12	Outer Case Assy			
13	AM-178FDM-P13	Bolt			

# Starting Motor Assy-Q



SL NO	PART NO	DESCRIPTION	SL NO	PART NO	DESCRIPTION
1	AM-178FDM-Q01	Starting motor Assy			
	AM-178FDM-Q1.1	Engine motor hole cover board			
2	AM-178FDM-Q02	Bolt			
	AM-178FDM-Q2.1				
3	AM-178FDM-Q03	Spring Gasket			
4	AM-178FDM-Q04	Gasket			

# Flywheel Alternator Assy - R








<b>SL NO</b>	<b>PART NO</b>	<b>DESCRIPTION</b>	<b>SL NO</b>	<b>PART NO</b>	<b>DESCRIPTION</b>
1	AM-178FDM-R01	Bolt			
2	AM-178FDM-R02	Long Gasket			
3	AM-178FDM-R03	Switch Board of Electri starter			
4	AM-178FDM-R04	Starting Key Assy			
5	AM-178FDM-R05	Rotator Assy			
6	AM-178FDM-R06	Screw			
7	AM-178FDM-R07	Bolt			
8	AM-178FDM-R08	Gasket			
9	AM-178FDM-R09	Startor Assy			
10	AM-178FDM-R10	Retainer			
11	AM-178FDM-R11	Screw			
12	AM-178FDM-R12	Support of Governor			
13	AM-178FDM-R13	Screw			
14	AM-178FDM-R14	Volt Regulator Assy			
15	AM-178FDM-R15	Gasket			
16	AM-178FDM-R16	Bolt			



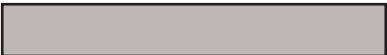




# WARRANTY CARD

## CUSTOMER COPY

DATE _____	DATE OF DELIVERY _____	DEALERS OFFICIAL SEAL	DEALERS SIGN _____
PURCHASERS NAME & ADDRESS _____ _____	 CUSTOMER SIGN		
PRODUCT NAME	PRODUCT SERIAL NO.	INVOICE/DN NO.	
			






I/Will accept the terms and conditions of warranty as in the warranty card

## DEALERS COPY

DATE _____	DATE OF DELIVERY _____	DEALERS OFFICIAL SEAL	DEALERS SIGN _____
PURCHASERS NAME & ADDRESS _____ _____	 CUSTOMER SIGN		
PRODUCT NAME	PRODUCT SERIAL NO.	INVOICE/DN NO.	
			

I/Will accept the terms and conditions of warranty as in the warranty card

## COMPANY COPY

DATE _____	DATE OF DELIVERY _____	DEALERS OFFICIAL SEAL	DEALERS SIGN _____
PURCHASERS NAME & ADDRESS _____ _____	 CUSTOMER SIGN		
PRODUCT NAME	PRODUCT SERIAL NO.	INVOICE/DN NO.	
			

I/Will accept the terms and conditions of warranty as in the warranty card



1. LIMITED WARRANTY PERIOD : For a period of six months from the date of Sale / delivery of the product which ever is earlier. 2. LIMITED WARRANTY OBLIGATION : Replacement of defective part(s) by authorized dealer are free of charges. If found defective by reasons of defective material / poor workmanship, parts will be replaced and there will be no value re-imbusement. 3. TERMS & CONDITIONS : a. Claims under warranty will be accepted on submission of Warranty Card duly filled and stamped by authorized dealer together with the original purchase document. : b. Shipping / transportation / Incidental charges incurred in replacing defective parts under warranty shall be borne by the purchaser

WARRANTY null & void if

- (i) Lack of maintenance, (ii) Incorrect use of the machine or tampering, (iii) Use of non-genuine spare parts, (iv) Usage of acids, solvents, or any flammable materials, (v) Non-usage of filter water / clear water / soft water & using water above 40°C temperature, (vi) While using the pressure washers to draw water which is contaminated with dust & solvents (eg. paint thinners, gasoline, oil, etc.), (vii) Repair done by unauthorized service people, (viii) Those parts subject to wear & tear due to normal operations and plastic parts, rubber items etc, (ix) Loose connections, faulty electrical fixtures & fluctuations in power supply.
- 4. Should any failure occur during or after the warranty period, customer does not have the right to interrupt payment / price discount.
- 5. Incidental or consequential damages like inconvenience commercial loss, loss of tie, mental agony etc.
- 6. Loss of any nature due to operation or non-operation is not covered under warranty.
- 7. All free service are at Dealer's service point only.
- 8. Warranty ceases if service is not done periodically.
- 9. The attached card should be completed and returned to Ratnagiri Impex Pvt. Ltd. for registration immediately after sale / delivery.
- 10. The warranty is void unless you register the warranty card with Ratnagiri Impex Pvt. Ltd.
- 11. The decision of Ratnagiri Impex Pvt. Ltd., in settling the warranty is final in all respects.
- 12. All disputes are subject to Bangalore Courts Jurisdiction

1. LIMITED WARRANTY PERIOD : For a period of six months from the date of Sale / delivery of the product which ever is earlier. 2. LIMITED WARRANTY OBLIGATION : Replacement of defective part(s) by authorized dealer are free of charges. If found defective by reasons of defective material / poor workmanship, parts will be replaced and there will be no value re-imbusement. 3. TERMS & CONDITIONS : a. Claims under warranty will be accepted on submission of Warranty Card duly filled and stamped by authorized dealer together with the original purchase document. : b. Shipping / transportation / Incidental charges incurred in replacing defective parts under warranty shall be borne by the purchaser.

WARRANTY null & void if

- (i) Lack of maintenance, (ii) Incorrect use of the machine or tampering, (iii) Use of non-genuine spare parts, (iv) Usage of acids, solvents, or any flammable materials, (v) Non-usage of filter water / clear water / soft water & using water above 40°C temperature, (vi) While using the pressure washers to draw water which is contaminated with dust & solvents (eg. paint thinners, gasoline, oil, etc.), (vii) Repair done by unauthorized service people, (viii) Those parts subject to wear & tear due to normal operations and plastic parts, rubber items etc, (ix) Loose connections, faulty electrical fixtures & fluctuations in power supply.
- 4. Should any failure occur during or after the warranty period, customer does not have the right to interrupt payment / price discount.
- 5. Incidental or consequential damages like inconvenience commercial loss, loss of tie, mental agony etc.
- 6. Loss of any nature due to operation or non-operation is not covered under warranty.
- 7. All free service are at Dealer's service point only.
- 8. Warranty ceases if service is not done periodically.
- 9. The attached card should be completed and returned to Ratnagiri Impex Pvt. Ltd. for registration immediately after sale / delivery.
- 10. The warranty is void unless you register the warranty card with Ratnagiri Impex Pvt. Ltd.
- 11. The decision of Ratnagiri Impex Pvt. Ltd., in settling the warranty is final in all respects.
- 12. All disputes are subject to Bangalore Courts Jurisdiction

1. LIMITED WARRANTY PERIOD : For a period of six months from the date of Sale / delivery of the product which ever is earlier. 2. LIMITED WARRANTY OBLIGATION : Replacement of defective part(s) by authorized dealer are free of charges. If found defective by reasons of defective material / poor workmanship, parts will be replaced and there will be no value re-imbusement. 3. TERMS & CONDITIONS : a. Claims under warranty will be accepted on submission of Warranty Card duly filled and stamped by authorized dealer together with the original purchase document. : b. Shipping / transportation / Incidental charges incurred in replacing defective parts under warranty shall be borne by the purchaser.

WARRANTY null & void if

- (i) Lack of maintenance, (ii) Incorrect use of the machine or tampering, (iii) Use of non-genuine spare parts, (iv) Usage of acids, solvents, or any flammable materials, (v) Non-usage of filter water / clear water / soft water & using water above 40°C temperature, (vi) While using the pressure washers to draw water which is contaminated with dust & solvents (eg. paint thinners, gasoline, oil, etc.), (vii) Repair done by unauthorized service people, (viii) Those parts subject to wear & tear due to normal operations and plastic parts, rubber items etc, (ix) Loose connections, faulty electrical fixtures & fluctuations in power supply.
- 4. Should any failure occur during or after the warranty period, customer does not have the right to interrupt payment / price discount.
- 5. Incidental or consequential damages like inconvenience commercial loss, loss of tie, mental agony etc.
- 6. Loss of any nature due to operation or non-operation is not covered under warranty.
- 7. All free service are at Dealer's service point only.
- 8. Warranty ceases if service is not done periodically.
- 9. The attached card should be completed and returned to Ratnagiri Impex Pvt. Ltd. for registration immediately after sale / delivery.
- 10. The warranty is void unless you register the warranty card with Ratnagiri Impex Pvt. Ltd.
- 11. The decision of Ratnagiri Impex Pvt. Ltd., in settling the warranty is final in all respects.
- 12. All disputes are subject to Bangalore Courts Jurisdiction



**FREE SERVICE COUPON (30DAYS/30HRS. WHICHEVER IS EARLIER)**

MODEL

SERIAL NUMBER

PDI DATE

SERVICE NO.

PURCHASE BILL NO.

DATE

DEALERS OFFICE SEAL

- 1. Check and test the fuel mixture
- 3. Check , clean and adjust the spark plug
- 5. Check and sparken the cutting tools
- 7. Start and check the noise, vibration, loosen etc..

OPERATIONS

- 2. check and clean the air filter
- 4. Check and adjust the carburetor tuning
- 6. Product familirisation on usage
- 8. Routine maintenance and shortage.

**FREE SERVICE COUPON (30DAYS/30HRS. WHICHEVER IS EARLIER)**

MODEL

SERIAL NUMBER

PDI DATE

SERVICE NO.

PURCHASE BILL NO.

DATE

DEALERS OFFICE SEAL

- 1. Check and test the fuel mixture
- 3. Check , clean and adjust the spark plug
- 5. Check and sparken the cutting tools
- 7. Start and check the noise, vibration, loosen etc..

OPERATIONS

- 2. check and clean the air filter
- 4. Check and adjust the carburetor tuning
- 6. Product familirisation on usage
- 8. Routine maintenance and shortage.

**FREE SERVICE COUPON (30DAYS/30HRS. WHICHEVER IS EARLIER)**

MODEL

SERIAL NUMBER

PDI DATE

SERVICE NO.

PURCHASE BILL NO.

DATE

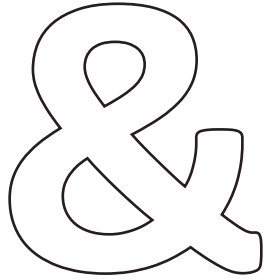
DEALERS OFFICE SEAL

- 1. Check and test the fuel mixture
- 3. Check , clean and adjust the spark plug
- 5. Check and sparken the cutting tools
- 7. Start and check the noise, vibration, loosen etc..

OPERATIONS

- 2. check and clean the air filter
- 4. Check and adjust the carburetor tuning
- 6. Product familirisation on usage
- 8. Routine maintenance and shortage.

# DOS

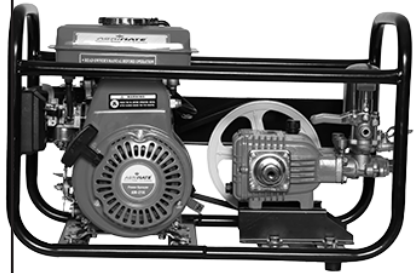
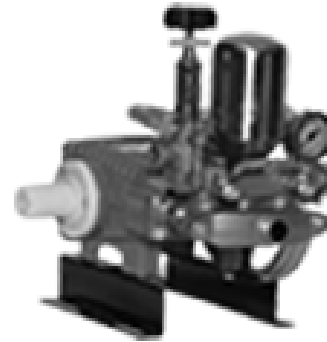


# DONTs

1. Always read the instruction manual supplied along with the equipments and understand the correct installation and operating procedures before attempting to use the equipments.
2. It is important to use the personal protection equipments such as head helmet with visor, ear defenders, goggles, safety gloves, cut resistant shoes, trousers and jackets while operating potentially dangerous machines
3. Avoid untrained persons using the equipments. Children must not be allowed to handle these equipments
4. Always use genuine spares and accessories in repairs and usage to derive maximum life of the equipments.
5. Always keep the equipments in good working condition to minimize loss of output as well as to reduce the pollution and save the environment
6. Do not use the machine within range of persons unless they wear protective clothing
7. Do not operate the machine when fatigued or under the influence of alcohol or drugs
8. When the machine is running, please maintain a constant water supply. Without water circulation will damage the sealing rings of the machine.
9. For more query kindly contact for our Service Center/Dealer/ franchise

# Agrimate Army For Pest Control

ANY WHERE - ANY TIME - ANY CROP



Marketed by:  
**ratnagiri  
impex**  
BRINGING YOU THE FUTURE... NOW

**RATNAGIRI IMPEX PVT., LTD.,**

Annapurna House, #1 / 1G, 7th Cross, New  
Guddadahalli

Mysore Road, Bangalore - 560 026

Missed Call : 7393 938 938

Email: [ask@agrimart.in](mailto:ask@agrimart.in)