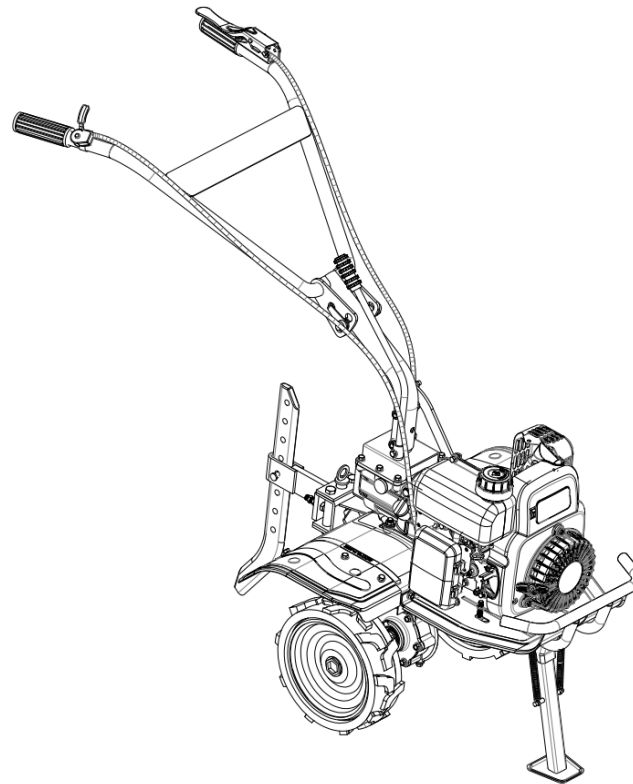


INTERCULTIVATOR/POWER WEEDER AM-RTP-7P- CHAMPION NEW TRANSMISSION PART DIAGRAM



INTRODUCTION

Please peruse the contents in the instructions manual prior to using this machine, correctly carried out installation and debugging, as well as used it strictly according to the working specifications in the instruction manual. The user should be familiar with the safety notices, machine performance and maintenance, etc. The instruction manual will be used in the later use, repair, accessories replacement, and accessories procurement, so please keep it carefully.

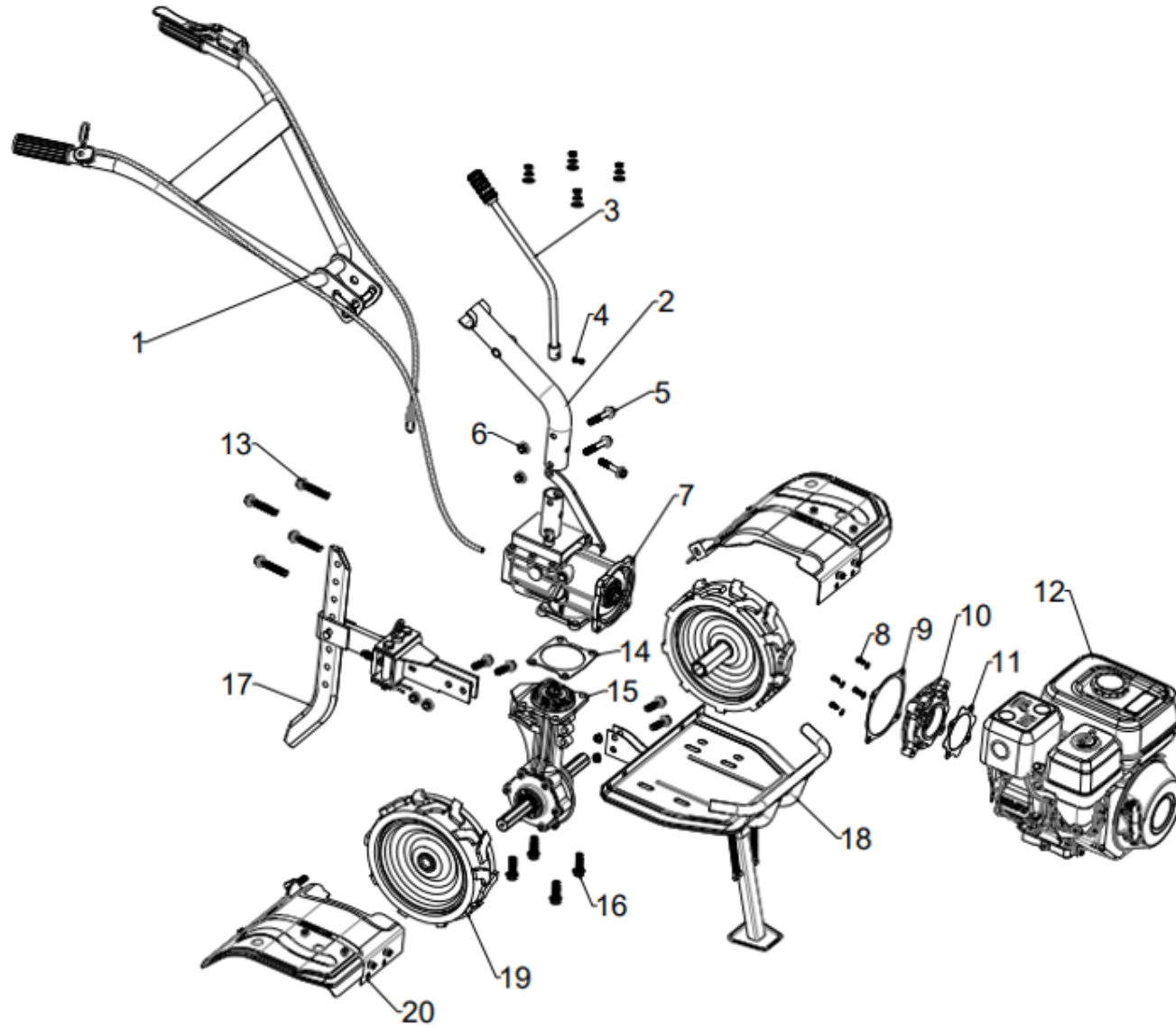
OPERATING INSTRUCTION

1. Securely mount the machine on the frame, ensure the two belt pulleys be parallel and on the same plane, and the tension of belt be moderate.
2. Add 30~ 40# machine oil up to 1/2 of oil gauge plug
3. The connectors of each rubber pipe and high pressure pipe must be locked tightly.
4. Before start the motor, open the jet gun and ball cock and loosen the adjusting screw
5. Start the motor, keeping it at appropriate velocity, waiting there is water ejecting from the jet gun, close the jet gun or ball cock, and adjust screw to let the pressure reach the working pressure.
6. Turn on the ball cock and jet gun, beginning spraying. During the process may properly adjust the adjusting screw to maintain the required pressure and lock tightly the fly nut at any moment.
7. After spraying, operate the sprayer with clean water for 2~3 minutes to clean the residual interior chemicals.
8. Firstly dismantle the suction hose, waiting there is no water flowing out from the jet gun or the overflow hose, stop the machine and dismantle overflow hose, high pressure pipe and loosen the adjusting screw.

TECHNICAL SPECIFICATIONS

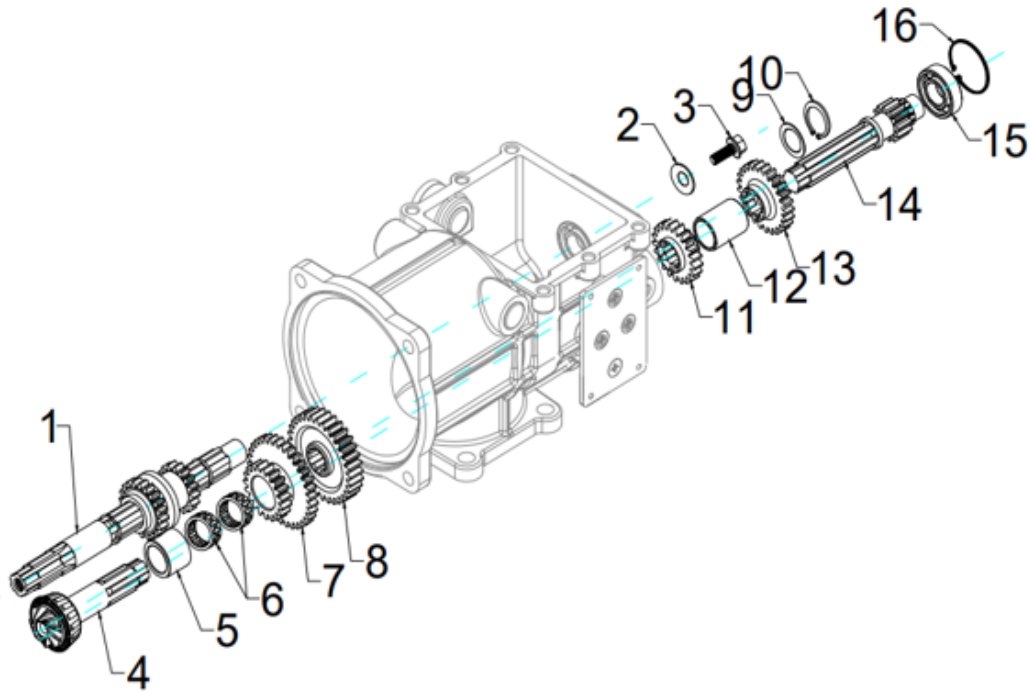
Model	AM-RTP-7P-CHAMPION NEW
Engine	AM-170F
Starting	Manual
Displacement	212cc
Fuel Tank Capacity	3.6Ltr.
Driving Model	Gear
Oil Capacity in Gear box	2Ltr.
Gears	2Forward, 1 Reverse
Tilling Width	600mm
Tilling Depth	≥150
Net/Gross Weight	55/64

HANDLE ASSY - A



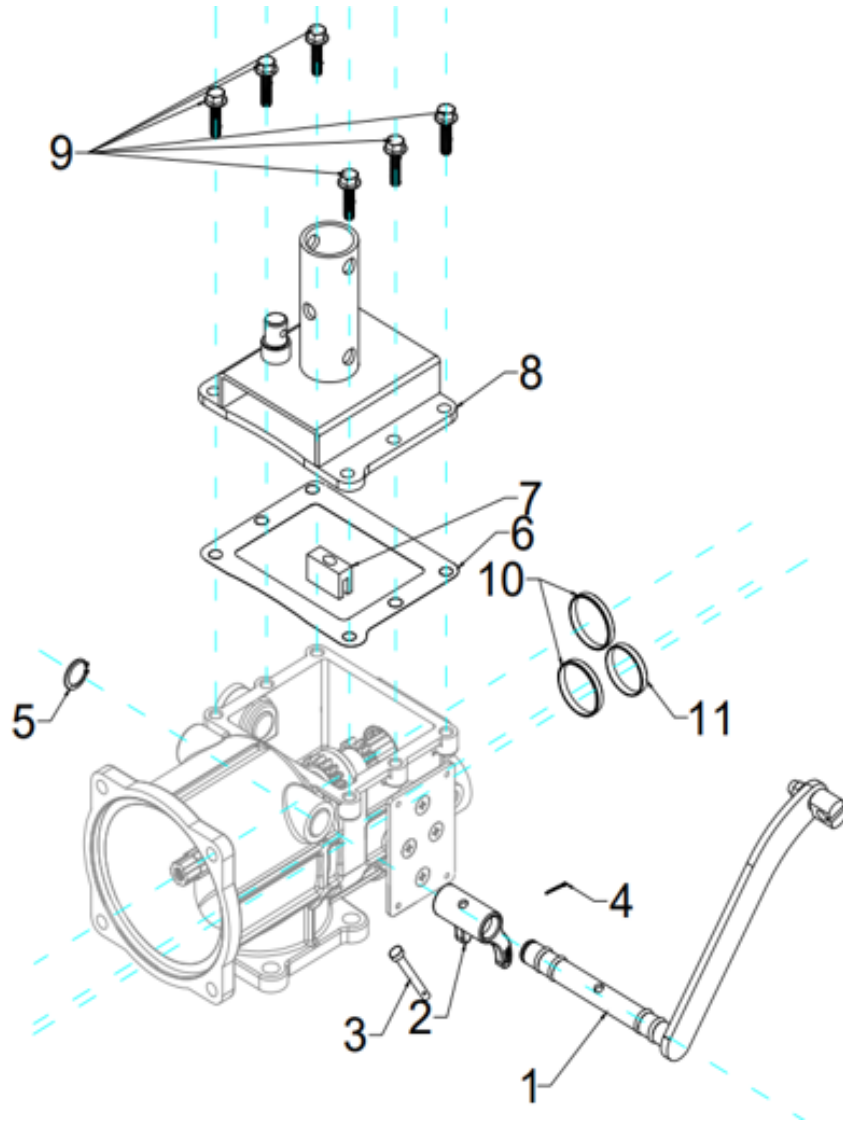
SL NO	PART NO	DESCRIPTION	SL NO	PART NO	DESCRIPTION
1	AM-RTP-7PM-TA01	handle assy	17	AM-RTP-7PM-TA17	Trailer connector
2	AM-RTP-7PM-TA02	handle middle part	18	AM-RTP-7PM-TA18	Front stand
3	AM-RTP-7PM-TA03	Gear shifting lever	19	AM-RTP-7PM-TA19	walking wheels
4	AM-RTP-7PM-TA04	Bolt			
5	AM-RTP-7PM-TA05	Bolt			
6	AM-RTP-7PM-TA06	NUT			
7	AM-RTP-7PM-TA07	Upper gear box assy			
8	AM-RTP-7PM-TA08	Bolt			
9	AM-RTP-7PM-TA09	Frang back gasket			
10	AM-RTP-7PM-TA10	frange plate			
11	AM-RTP-7PM-TA11	Frang front gasket			
12	AM-RTP-7PM-TA12	engine assy			
13	AM-RTP-7PM-TA13	Bolt			
14	AM-RTP-7PM-TA14	Gear box gasket			
15	AM-RTP-7PM-TA15	down gear box assy			
16	AM-RTP-7PM-TA16	Bolt			

GEAR BOX - C



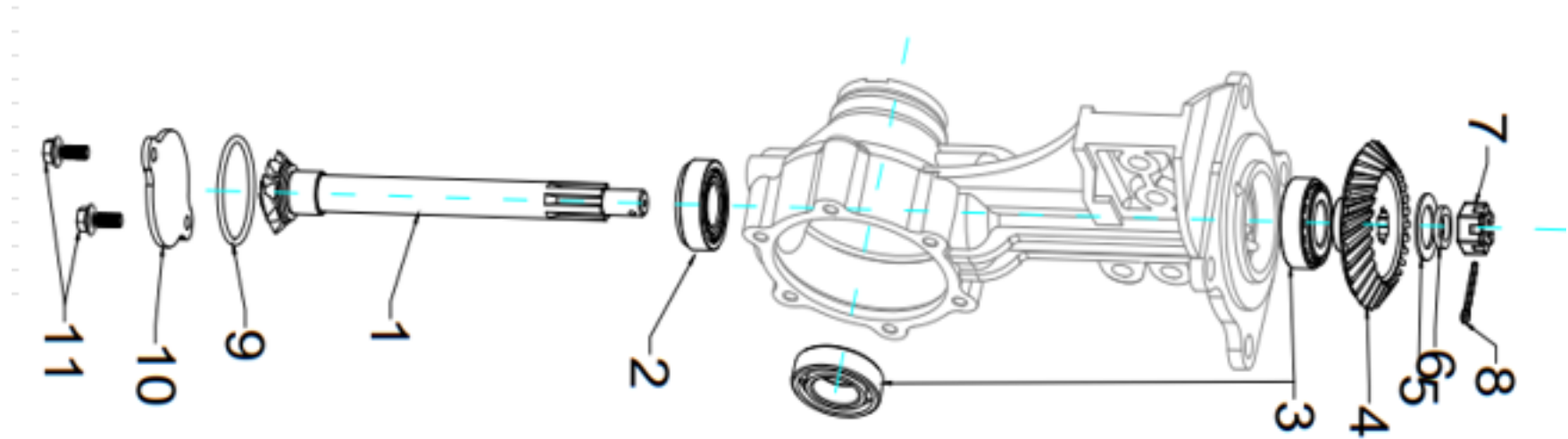
SL NO	PART NO	DESCRIPTION
1	AM-RTP-7PM-TC01	Main shaft assy
2	AM-RTP-7PM-TC02	Flat washer
3	AM-RTP-7PM-TC03	Bolt with reel
4	AM-RTP-7PM-TC04	Driving umbrella gear
5	AM-RTP-7PM-TC05	Spacer
6	AM-RTP-7PM-TC06	Needle bearing
7	AM-RTP-7PM-TC07	Reverse double gear
8	AM-RTP-7PM-TC08	Driving gear
9	AM-RTP-7PM-TC09	Steel washer
10	AM-RTP-7PM-TC10	Circlip
11	AM-RTP-7PM-TC11	2nd gear
12	AM-RTP-7PM-TC12	spacer
13	AM-RTP-7PM-TC13	1st Gear
14	AM-RTP-7PM-TC14	counter shaft
15	AM-RTP-7PM-TC15	Bearing
16	AM-RTP-7PM-TC16	Circlip

GEAR BOX - D



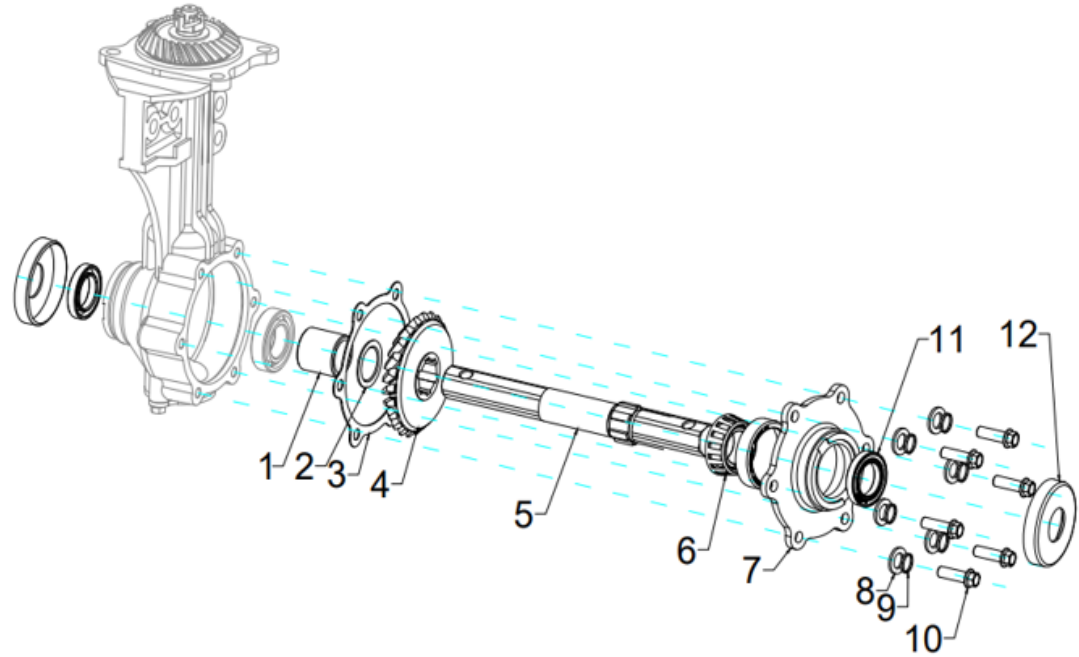
SL NO	PART NO	DESCRIPTION
1	AM-RTP-7PM-TD01	Clutch fork shaft
2	AM-RTP-7PM-TD02	Clutch fork
3	AM-RTP-7PM-TD03	Pin
4	AM-RTP-7PM-TD04	Split pin
5	AM-RTP-7PM-TD05	Circlip
6	AM-RTP-7PM-TD06	Top cover gasket
7	AM-RTP-7PM-TD07	shifting blkok
8	AM-RTP-7PM-TD08	Handle seat
9	AM-RTP-7PM-TD09	Bolt with reel
10	AM-RTP-7PM-TD10	Ruber plug
11	AM-RTP-7PM-TD11	Ruber plug

WALKING BOX - E



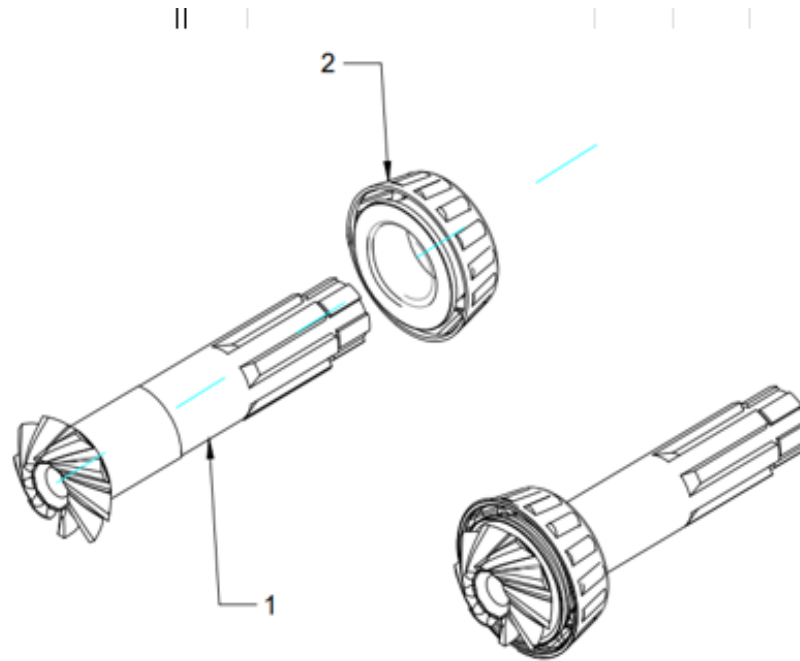
SL NO	PART NO	DESCRIPTION	SL NO	PART NO	DESCRIPTION
1	AM-RTP-7PM-TE01	Driving umbrella gear II	7	AM-RTP-7PM-TE07	Slotted nut
2	AM-RTP-7PM-TE02	Bearing	8	AM-RTP-7PM-TE08	Split pin
3	AM-RTP-7PM-TE03	Bearing	9	AM-RTP-7PM-TE09	O ring
4	AM-RTP-7PM-TE04	Driven umbrella gear I	10	AM-RTP-7PM-TE10	Bottom cover
5	AM-RTP-7PM-TE05	Flat Washer	11	AM-RTP-7PM-TE11	Bolt with reel
6	AM-RTP-7PM-TE06	Spring Washer			

WALKING BOX - F



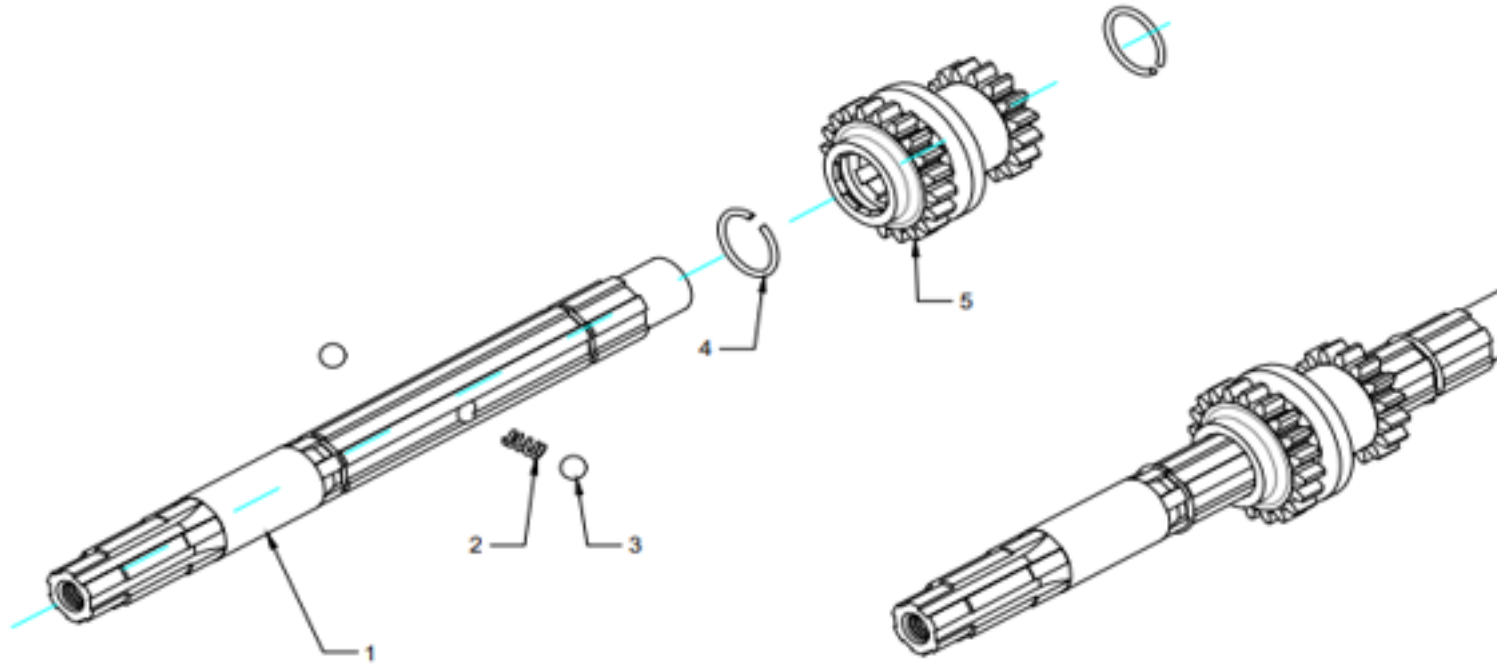
SL NO	PART NO	DESCRIPTION	SL NO	PART NO	DESCRIPTION
1	AM-RTP-7PM-TF01	Hex axle spacer	7	AM-RTP-7PM-TF07	Side cover
2	AM-RTP-7PM-TF02	adjusting washer	8	AM-RTP-7PM-TF08	Flat washer
3	AM-RTP-7PM-TF03	Paper gasket, side cover	9	AM-RTP-7PM-TF09	Spring washer
4	AM-RTP-7PM-TF04	Driven umbrella gear II	10	AM-RTP-7PM-TF10	Slotted nut
5	AM-RTP-7PM-TF05	Hex axle	11	AM-RTP-7PM-TF11	Oil seal
6	AM-RTP-7PM-TF06	Bearing	12	AM-RTP-7PM-TF12	Anti-dust cover

UMBRELLA GEAR COMPONENT - G



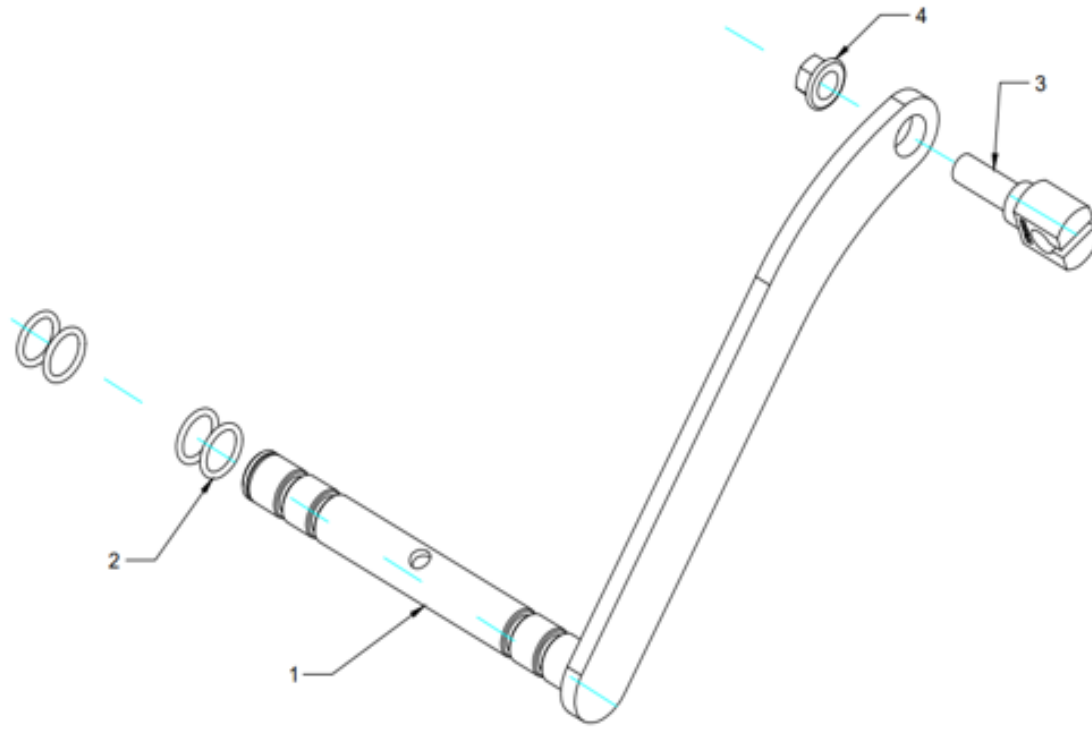
SL NO	PART NO	DESCRIPTION
1	AM-RTP-7PM-TG01	Driving umbrella gear
2	AM-RTP-7PM-TG02	Bearing inner eeve

SPINDLE EXPLOADED - H



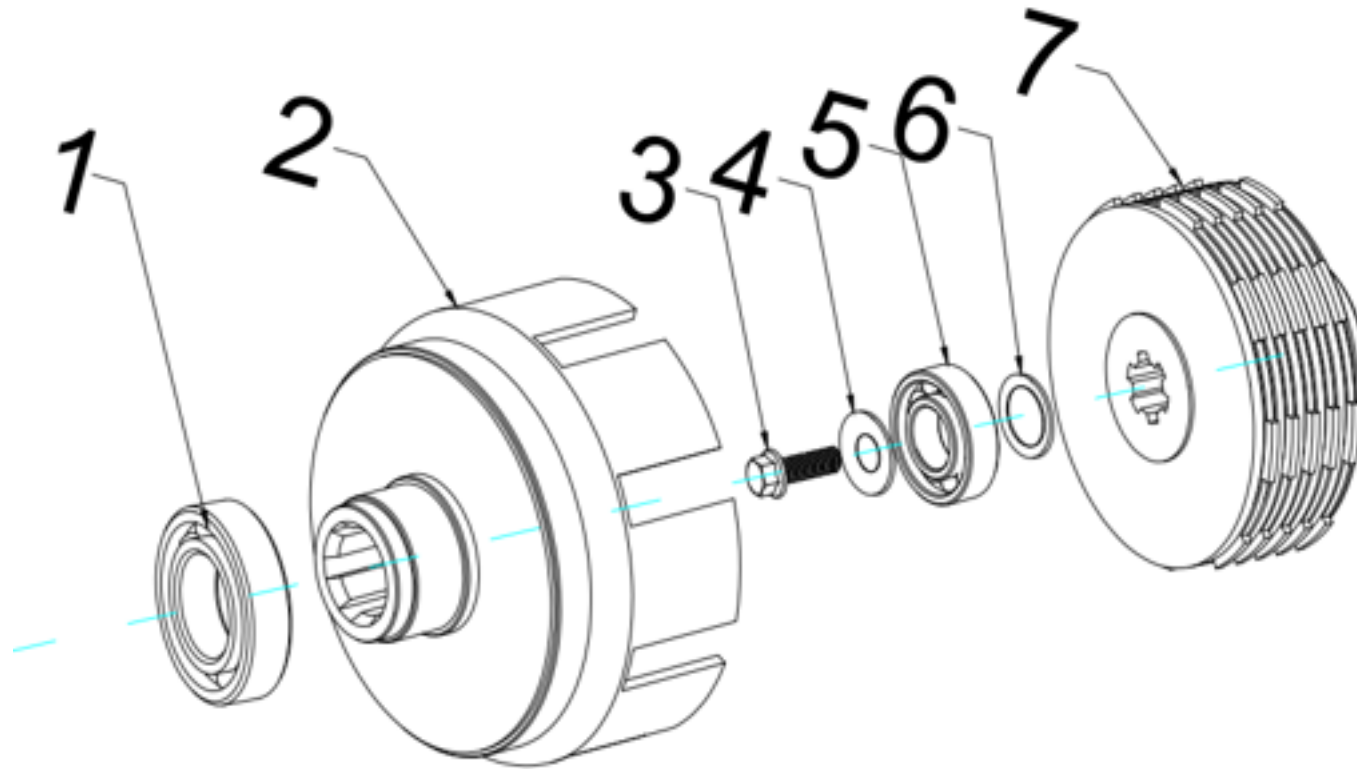
SL NO	PART NO	DESCRIPTION	SL NO	PART NO	DESCRIPTION
1	AM-RTP-7PM-TH01	Main shaft			
2	AM-RTP-7PM-TH02	Small spring			
3	AM-RTP-7PM-TH03	Steel ball			
4	AM-RTP-7PM-TH04	Circlip			
5	AM-RTP-7PM-TH05	Gear			

CLUTCH FORK SHAFT , ARMREST ASSY -J



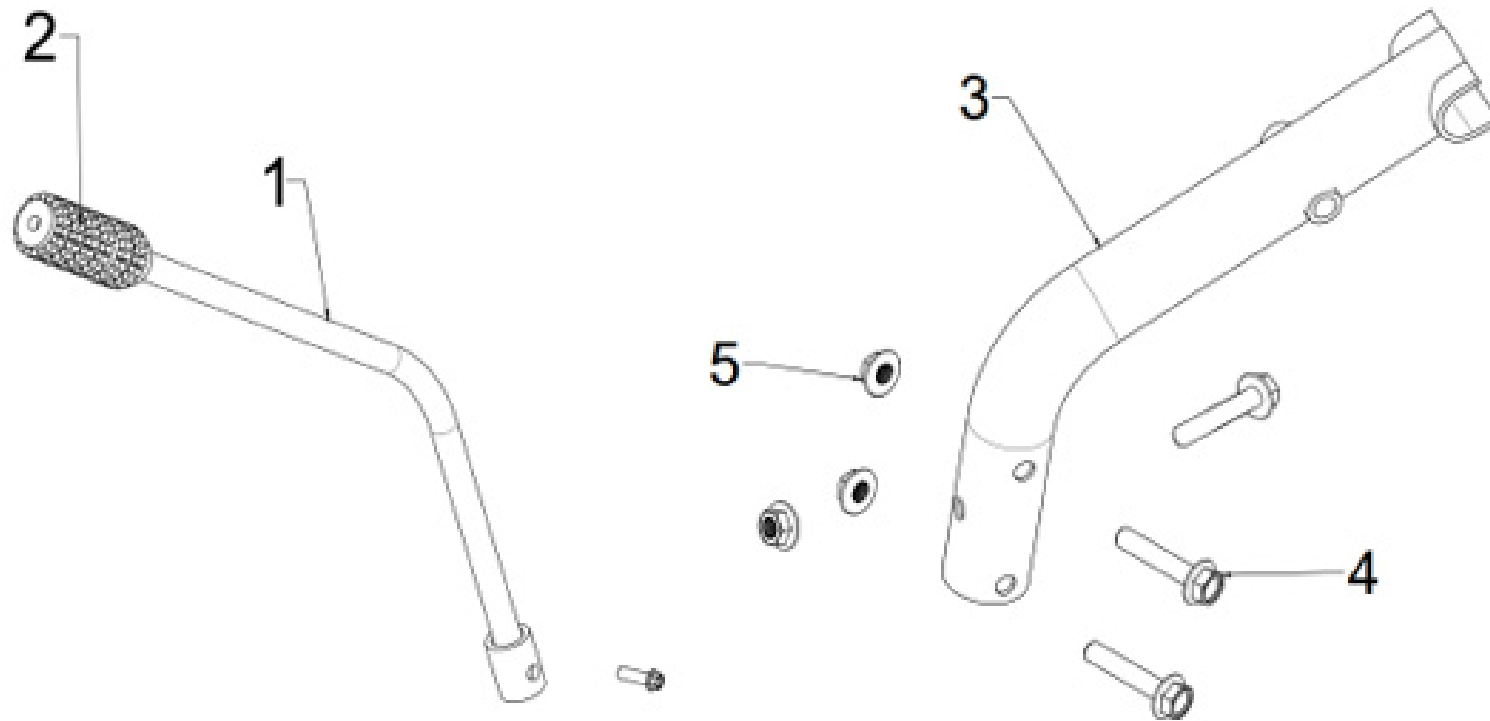
SL NO	PART NO	DESCRIPTION	SL NO	PART NO	DESCRIPTION
1	AM-RTP-7PM-TJ01	Clutch fork shaft			
2	AM-RTP-7PM-TJ02	O ring			
3	AM-RTP-7PM-TJ03	Clutch cable seat			
4	AM-RTP-7PM-TJ04	Slotted nut			

CLUTCH ASSY - K



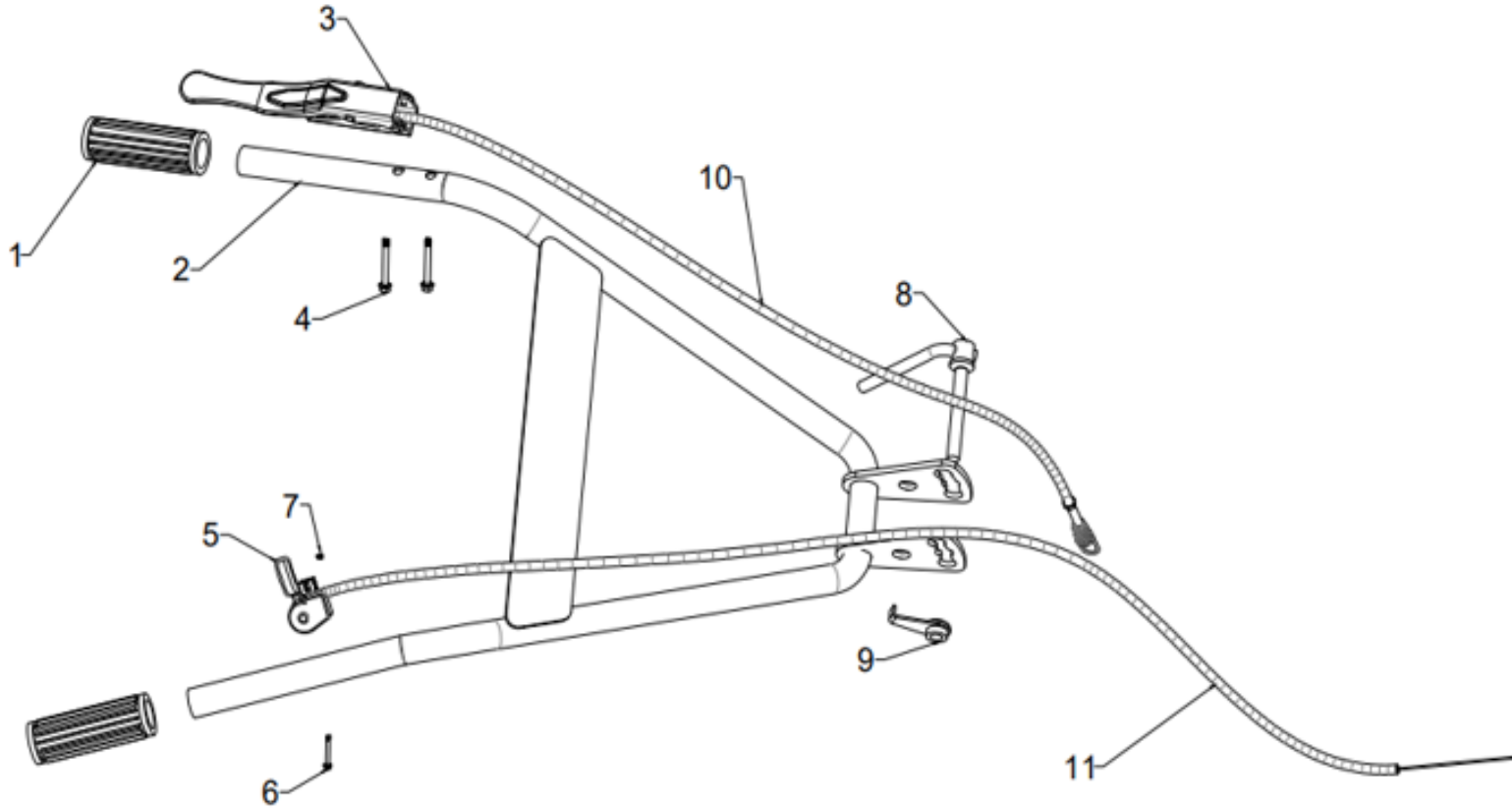
SL NO	PART NO	DESCRIPTION	SL NO	PART NO	DESCRIPTION
1	AM-RTP-7PM-TK01	Bearing	6	AM-RTP-7PM-TK06	Washer
2	AM-RTP-7PM-TK02	Clutch cover	7	AM-RTP-7PM-TK07	Clutch Core
3	AM-RTP-7PM-TK03	Bolt with reel			
4	AM-RTP-7PM-TK04	Flat washer			
5	AM-RTP-7PM-TK05	Bearing			

GEAR LEVEL MIDDLE ARMREST - L



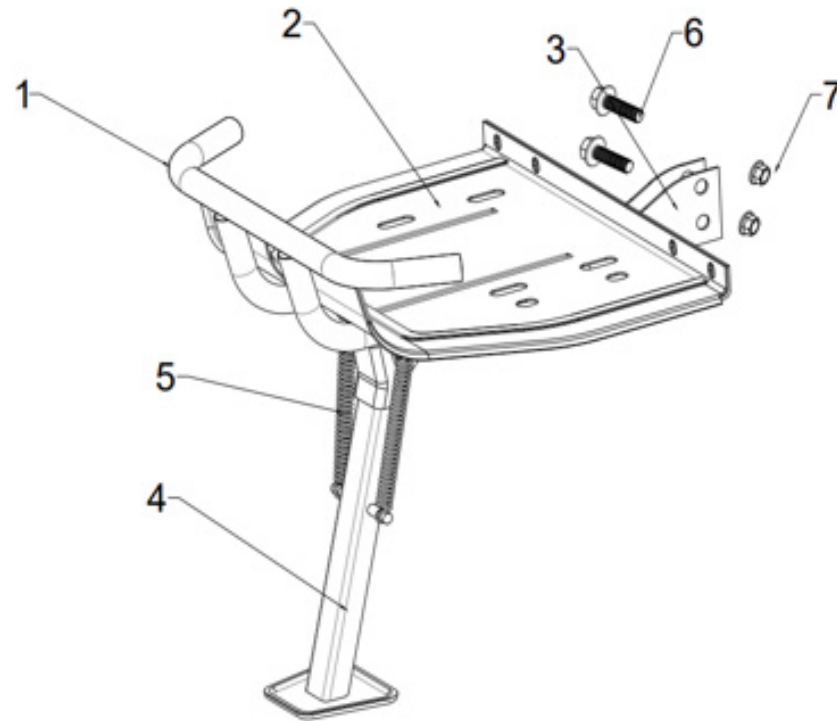
SL NO	PART NO	DESCRIPTION	SL NO	PART NO	DESCRIPTION
1	AM-RTP-7PM-TL01	Gear shifting lever			
2	AM-RTP-7PM-TL02	Ruber grip			
3	AM-RTP-7PM-TL03	Handle middle part			
4	AM-RTP-7PM-TL04	Hexagon socket bolt			
5	AM-RTP-7PM-TL05	NUT			

ARMREST FRAME ASSY - M



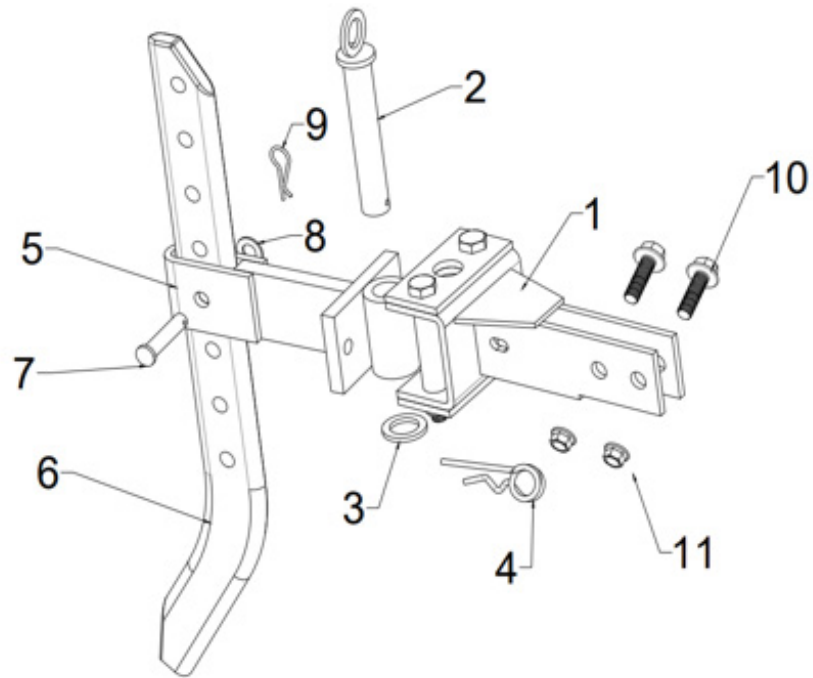
SL NO	PART NO	DESCRIPTION	SL NO	PART NO	DESCRIPTION
1	AM-RTP-7PM-TM01	Rubber grip	7	AM-RTP-7PM-TM07	Hex head nut
2	AM-RTP-7PM-TM02	Handle	8	AM-RTP-7PM-TM08	Locking bolt
3	AM-RTP-7PM-TM03	Clutch handle	9	AM-RTP-7PM-TM09	Adjusting nut
4	AM-RTP-7PM-TM04	Bolt with reel	10	AM-RTP-7PM-TM10	Clutch cable
5	AM-RTP-7PM-TM05	Accelerator switch	11	AM-RTP-7PM-TM11	Fuel cable
6	AM-RTP-7PM-TM06	Round head bolt			

BUMPER ASSY - N



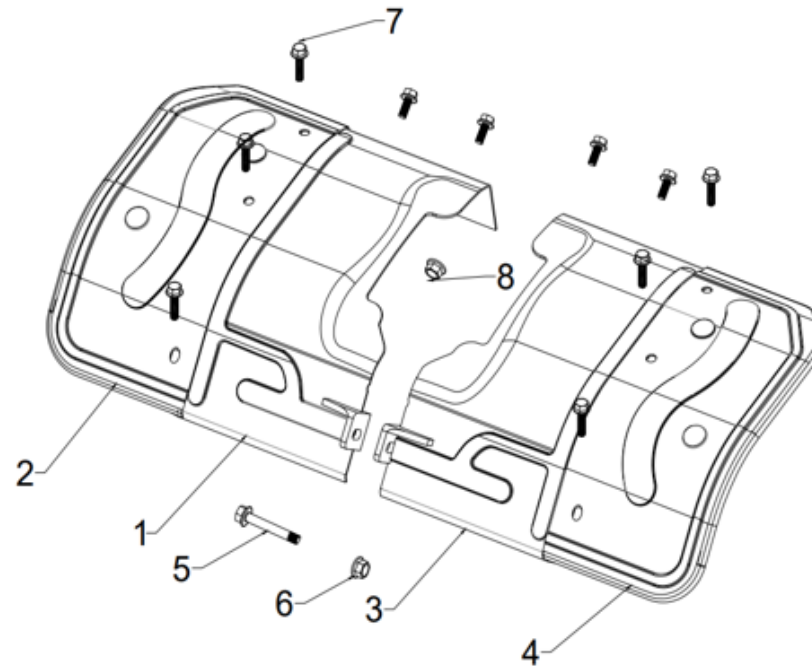
SL NO	PART NO	DESCRIPTION	SL NO	PART NO	DESCRIPTION
1	AM-RTP-7PM-TN01	Bumper			
2	AM-RTP-7PM-TN02	Engine protection plate			
3	AM-RTP-7PM-TN03	Connecting block			
4	AM-RTP-7PM-TN04	front stand			
5	AM-RTP-7PM-TN05	Spring			
6	AM-RTP-7PM-TN06	Hex bolt			
7	AM-RTP-7PM-TN07	Nut with reel			

Trailer body assembly - P



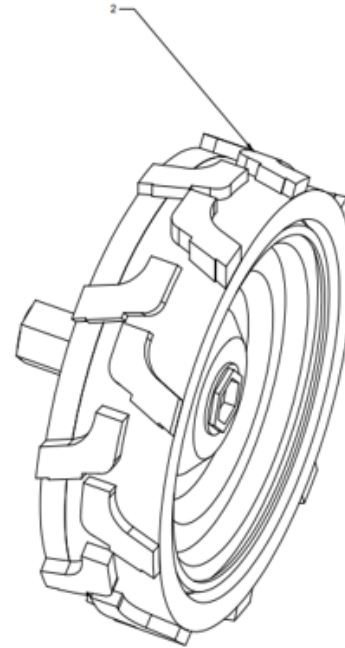
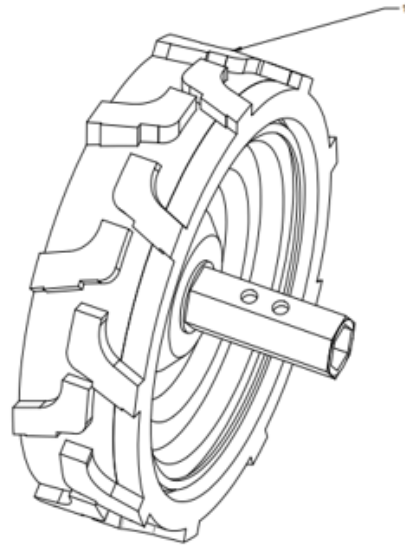
SL NO	PART NO	DESCRIPTION	SL NO	PART NO	DESCRIPTION
1	AM-RTP-7PM-TP01	Trailer body	7	AM-RTP-7PM-TP07	Pin for resistance blade
2	AM-RTP-7PM-TP02	Connector pin	8	AM-RTP-7PM-TP08	flat wahser
3	AM-RTP-7PM-TP03	Flat washer	9	AM-RTP-7PM-TP09	R pin
4	AM-RTP-7PM-TP04	R pin	10	AM-RTP-7PM-TP10	Hex bolt
5	AM-RTP-7PM-TP05	Connector	11	AM-RTP-7PM-TP11	Nut with reel
6	AM-RTP-7PM-TP06	Resistance blade			

FENDER - Q



SL NO	PART NO	DESCRIPTION	SL NO	PART NO	DESCRIPTION
1	AM-RTP-7PM-TQ01	Left inner fender	6	AM-RTP-7PM-TQ06	Bolt with reel
2	AM-RTP-7PM-TQ02	Left outer fender	7	AM-RTP-7PM-TQ07	Bolt with reel
3	AM-RTP-7PM-TQ03	Right inner fender	8	AM-RTP-7PM-TQ08	Nut with reel
4	AM-RTP-7PM-TQ04	Right outer fender			
5	AM-RTP-7PM-TQ05	Bolt with reel			






SOLID TYRE - R



SL NO	PART NO	DESCRIPTION	SL NO	PART NO	DESCRIPTION
1	AM-RTP-7PM-TR01	Left solid rubber			
2	AM-RTP-7PM-TR02	Right solid rubber			

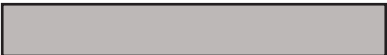




WARRANTY CARD

CUSTOMER COPY

DATE _____	DATE OF DELIVERY _____	DEALERS OFFICIAL SEAL	DEALERS SIGN _____
PURCHASERS NAME & ADDRESS _____ _____	 CUSTOMER SIGN		
PRODUCT NAME	PRODUCT SERIAL NO.	INVOICE/DN NO.	
			






I/Will accept the terms and conditions of warranty as in the warranty card

DEALERS COPY

DATE _____	DATE OF DELIVERY _____	DEALERS OFFICIAL SEAL	DEALERS SIGN _____
PURCHASERS NAME & ADDRESS _____ _____	 CUSTOMER SIGN		
PRODUCT NAME	PRODUCT SERIAL NO.	INVOICE/DN NO.	
			

I/Will accept the terms and conditions of warranty as in the warranty card

COMPANY COPY

DATE _____	DATE OF DELIVERY _____	DEALERS OFFICIAL SEAL	DEALERS SIGN _____
PURCHASERS NAME & ADDRESS _____ _____	 CUSTOMER SIGN		
PRODUCT NAME	PRODUCT SERIAL NO.	INVOICE/DN NO.	
			

I/Will accept the terms and conditions of warranty as in the warranty card

1. LIMITED WARRANTY PERIOD : For a period of six months from the date of Sale / delivery of the product which ever is earlier. 2. LIMITED WARRANTY OBLIGATION : Replacement of defective part(s) by authorized dealer are free of charges. If found defective by reasons of defective material / poor workmanship, parts will be replaced and there will be no value re-imbusement. 3. TERMS & CONDITIONS : a. Claims under warranty will be accepted on submission of Warranty Card duly filled and stamped by authorized dealer together with the original purchase document. : b. Shipping / transportation / Incidental charges incurred in replacing defective parts under warranty shall be borne by the purchaser

WARRANTY null & void if

- (i) Lack of maintenance, (ii) Incorrect use of the machine or tampering, (iii) Use of non-genuine spare parts, (iv) Usage of acids, solvents, or any flammable materials, (v) Non-usage of filter water / clear water / soft water & using water above 40°C temperature, (vi) While using the pressure washers to draw water which is contaminated with dust & solvents (eg. paint thinners, gasoline, oil, etc.), (vii) Repair done by unauthorized service people, (viii) Those parts subject to wear & tear due to normal operations and plastic parts, rubber items etc, (ix) Loose connections, faulty electrical fixtures & fluctuations in power supply.
- 4. Should any failure occur during or after the warranty period, customer does not have the right to interrupt payment / price discount.
- 5. Incidental or consequential damages like inconvenience commercial loss, loss of tie, mental agony etc.
- 6. Loss of any nature due to operation or non-operation is not covered under warranty.
- 7. All free service are at Dealer's service point only.
- 8. Warranty ceases if service is not done periodically.
- 9. The attached card should be completed and returned to Ratnagiri Impex Pvt. Ltd. for registration immediately after sale / delivery.
- 10. The warranty is void unless you register the warranty card with Ratnagiri Impex Pvt. Ltd.
- 11. The decision of Ratnagiri Impex Pvt. Ltd., in settling the warranty is final in all respects.
- 12. All disputes are subject to Bangalore Courts Jurisdiction

1. LIMITED WARRANTY PERIOD : For a period of six months from the date of Sale / delivery of the product which ever is earlier. 2. LIMITED WARRANTY OBLIGATION : Replacement of defective part(s) by authorized dealer are free of charges. If found defective by reasons of defective material / poor workmanship, parts will be replaced and there will be no value re-imbusement. 3. TERMS & CONDITIONS : a. Claims under warranty will be accepted on submission of Warranty Card duly filled and stamped by authorized dealer together with the original purchase document. : b. Shipping / transportation / Incidental charges incurred in replacing defective parts under warranty shall be borne by the purchaser.

WARRANTY null & void if

- (i) Lack of maintenance, (ii) Incorrect use of the machine or tampering, (iii) Use of non-genuine spare parts, (iv) Usage of acids, solvents, or any flammable materials, (v) Non-usage of filter water / clear water / soft water & using water above 40°C temperature, (vi) While using the pressure washers to draw water which is contaminated with dust & solvents (eg. paint thinners, gasoline, oil, etc.), (vii) Repair done by unauthorized service people, (viii) Those parts subject to wear & tear due to normal operations and plastic parts, rubber items etc, (ix) Loose connections, faulty electrical fixtures & fluctuations in power supply.
- 4. Should any failure occur during or after the warranty period, customer does not have the right to interrupt payment / price discount.
- 5. Incidental or consequential damages like inconvenience commercial loss, loss of tie, mental agony etc.
- 6. Loss of any nature due to operation or non-operation is not covered under warranty.
- 7. All free service are at Dealer's service point only.
- 8. Warranty ceases if service is not done periodically.
- 9. The attached card should be completed and returned to Ratnagiri Impex Pvt. Ltd. for registration immediately after sale / delivery.
- 10. The warranty is void unless you register the warranty card with Ratnagiri Impex Pvt. Ltd.
- 11. The decision of Ratnagiri Impex Pvt. Ltd., in settling the warranty is final in all respects.
- 12. All disputes are subject to Bangalore Courts Jurisdiction

1. LIMITED WARRANTY PERIOD : For a period of six months from the date of Sale / delivery of the product which ever is earlier. 2. LIMITED WARRANTY OBLIGATION : Replacement of defective part(s) by authorized dealer are free of charges. If found defective by reasons of defective material / poor workmanship, parts will be replaced and there will be no value re-imbusement. 3. TERMS & CONDITIONS : a. Claims under warranty will be accepted on submission of Warranty Card duly filled and stamped by authorized dealer together with the original purchase document. : b. Shipping / transportation / Incidental charges incurred in replacing defective parts under warranty shall be borne by the purchaser.

WARRANTY null & void if

- (i) Lack of maintenance, (ii) Incorrect use of the machine or tampering, (iii) Use of non-genuine spare parts, (iv) Usage of acids, solvents, or any flammable materials, (v) Non-usage of filter water / clear water / soft water & using water above 40°C temperature, (vi) While using the pressure washers to draw water which is contaminated with dust & solvents (eg. paint thinners, gasoline, oil, etc.), (vii) Repair done by unauthorized service people, (viii) Those parts subject to wear & tear due to normal operations and plastic parts, rubber items etc, (ix) Loose connections, faulty electrical fixtures & fluctuations in power supply.
- 4. Should any failure occur during or after the warranty period, customer does not have the right to interrupt payment / price discount.
- 5. Incidental or consequential damages like inconvenience commercial loss, loss of tie, mental agony etc.
- 6. Loss of any nature due to operation or non-operation is not covered under warranty.
- 7. All free service are at Dealer's service point only.
- 8. Warranty ceases if service is not done periodically.
- 9. The attached card should be completed and returned to Ratnagiri Impex Pvt. Ltd. for registration immediately after sale / delivery.
- 10. The warranty is void unless you register the warranty card with Ratnagiri Impex Pvt. Ltd.
- 11. The decision of Ratnagiri Impex Pvt. Ltd., in settling the warranty is final in all respects.
- 12. All disputes are subject to Bangalore Courts Jurisdiction



FREE SERVICE COUPON (30DAYS/30HRS. WHICHEVER IS EARLIER)

MODEL

SERIAL NUMBER

PDI DATE

SERVICE NO.

PURCHASE BILL NO.

DATE

DEALERS OFFICE SEAL

- 1. Check and test the fuel mixture
- 3. Check , clean and adjust the spark plug
- 5. Check and sparken the cutting tools
- 7. Start and check the noise, vibration, loosen etc..

OPERATIONS

- 2. check and clean the air filter
- 4. Check and adjust the carburetor tuning
- 6. Product familirisation on usage
- 8. Routine maintenance and shortage.

FREE SERVICE COUPON (30DAYS/30HRS. WHICHEVER IS EARLIER)

MODEL

SERIAL NUMBER

PDI DATE

SERVICE NO.

PURCHASE BILL NO.

DATE

DEALERS OFFICE SEAL

- 1. Check and test the fuel mixture
- 3. Check , clean and adjust the spark plug
- 5. Check and sparken the cutting tools
- 7. Start and check the noise, vibration, loosen etc..

OPERATIONS

- 2. check and clean the air filter
- 4. Check and adjust the carburetor tuning
- 6. Product familirisation on usage
- 8. Routine maintenance and shortage.

FREE SERVICE COUPON (30DAYS/30HRS. WHICHEVER IS EARLIER)

MODEL

SERIAL NUMBER

PDI DATE

SERVICE NO.

PURCHASE BILL NO.

DATE

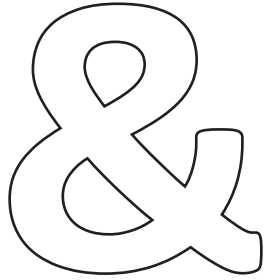
DEALERS OFFICE SEAL

- 1. Check and test the fuel mixture
- 3. Check , clean and adjust the spark plug
- 5. Check and sparken the cutting tools
- 7. Start and check the noise, vibration, loosen etc..

OPERATIONS

- 2. check and clean the air filter
- 4. Check and adjust the carburetor tuning
- 6. Product familirisation on usage
- 8. Routine maintenance and shortage.

DOS

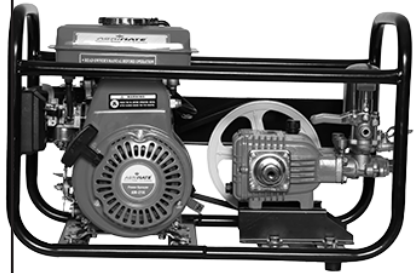
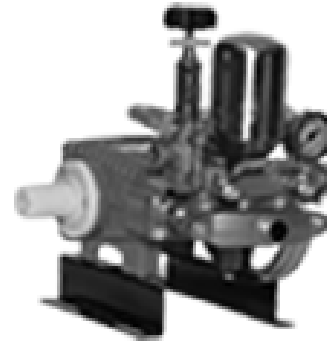


DONT'S

1. Always read the instruction manual supplied along with the equipments and understand the correct installation and operating procedures before attempting to use the equipments.
2. It is important to use the personal protection equipments such as head helmet with visor, ear defenders, goggles, safety gloves, cut resistant shoes, trousers and jackets while operating potentially dangerous machines
3. Avoid untrained persons using the equipments. Children must not be allowed to handle these equipments
4. Always use genuine spares and accessories in repairs and usage to derive maximum life of the equipments.
5. Always keep the equipments in good working condition to minimize loss of output as well as to reduce the pollution and save the environment
6. Do not use the machine within range of persons unless they wear protective clothing
7. Do not operate the machine when fatigued or under the influence of alcohol or drugs
8. When the machine is running, please maintain a constant water supply. Without water circulation will damage the sealing rings of the machine.
9. For more query kindly contact for our Service Center/Dealer/ franchise

Agrimate Army For Pest Control

ANY WHERE - ANY TIME - ANY CROP



Marketed by:
**ratnagiri
impex**
BRINGING YOU THE FUTURE... NOW

RATNAGIRI IMPEX PVT., LTD.,

Annapurna House, #1 / 1G, 7th Cross, New
Guddadahalli

Mysore Road, Bangalore - 560 026

Missed Call : 7393 938 938

Email: ask@agrimart.in