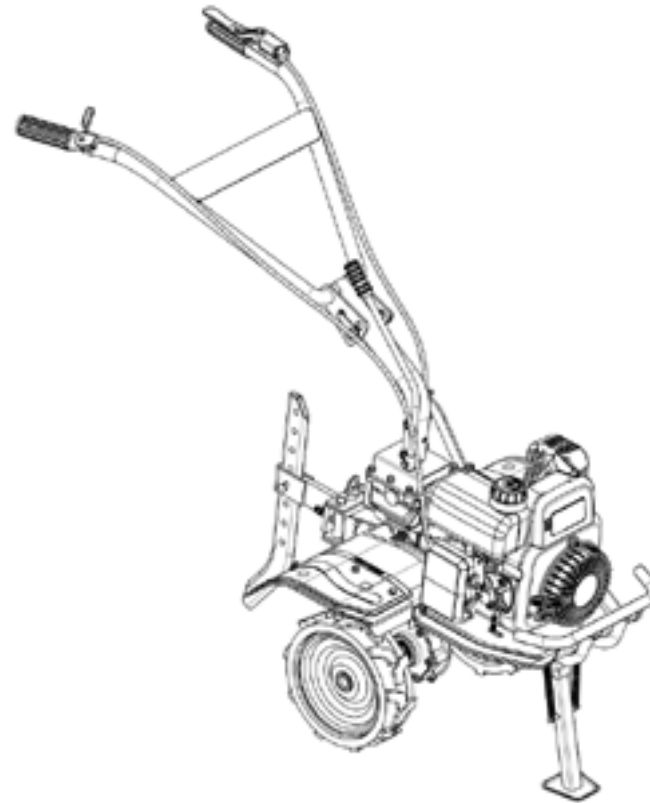
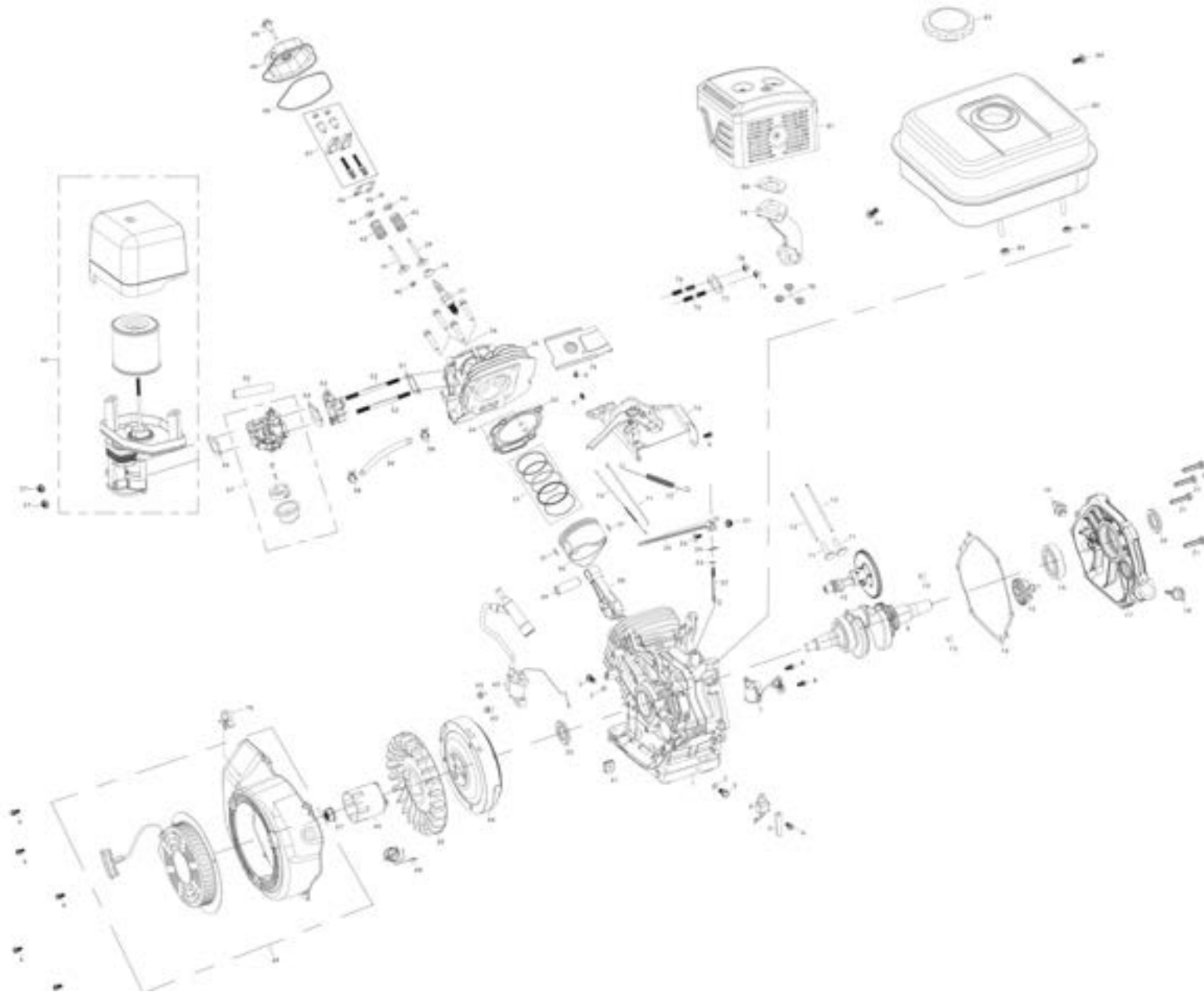


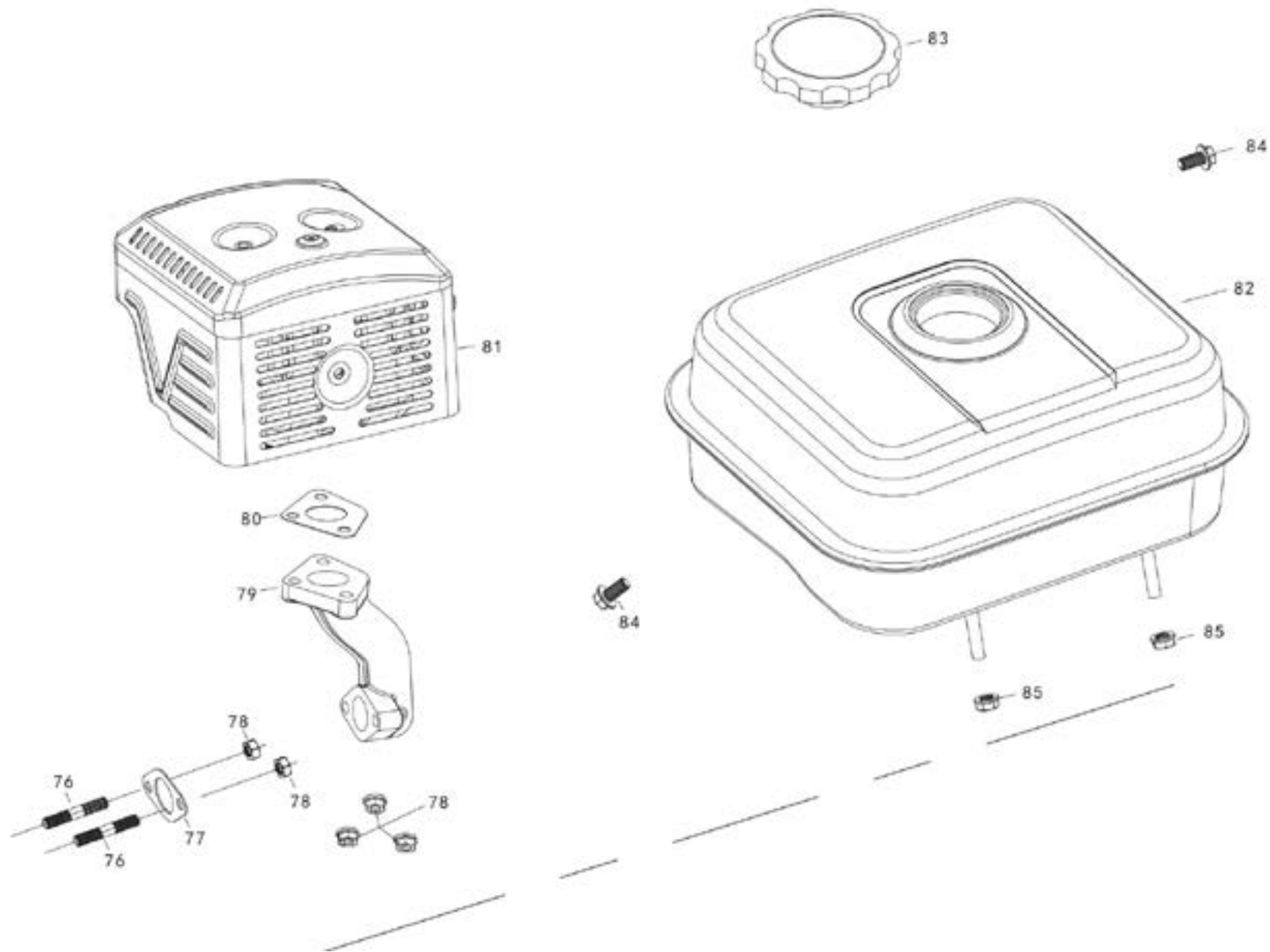
## INTERCULTIVATOR/POWER WEEDER AM-RTP-9P- CHAMPION NEW AM-177FP ENGINE PART DIAGRAM



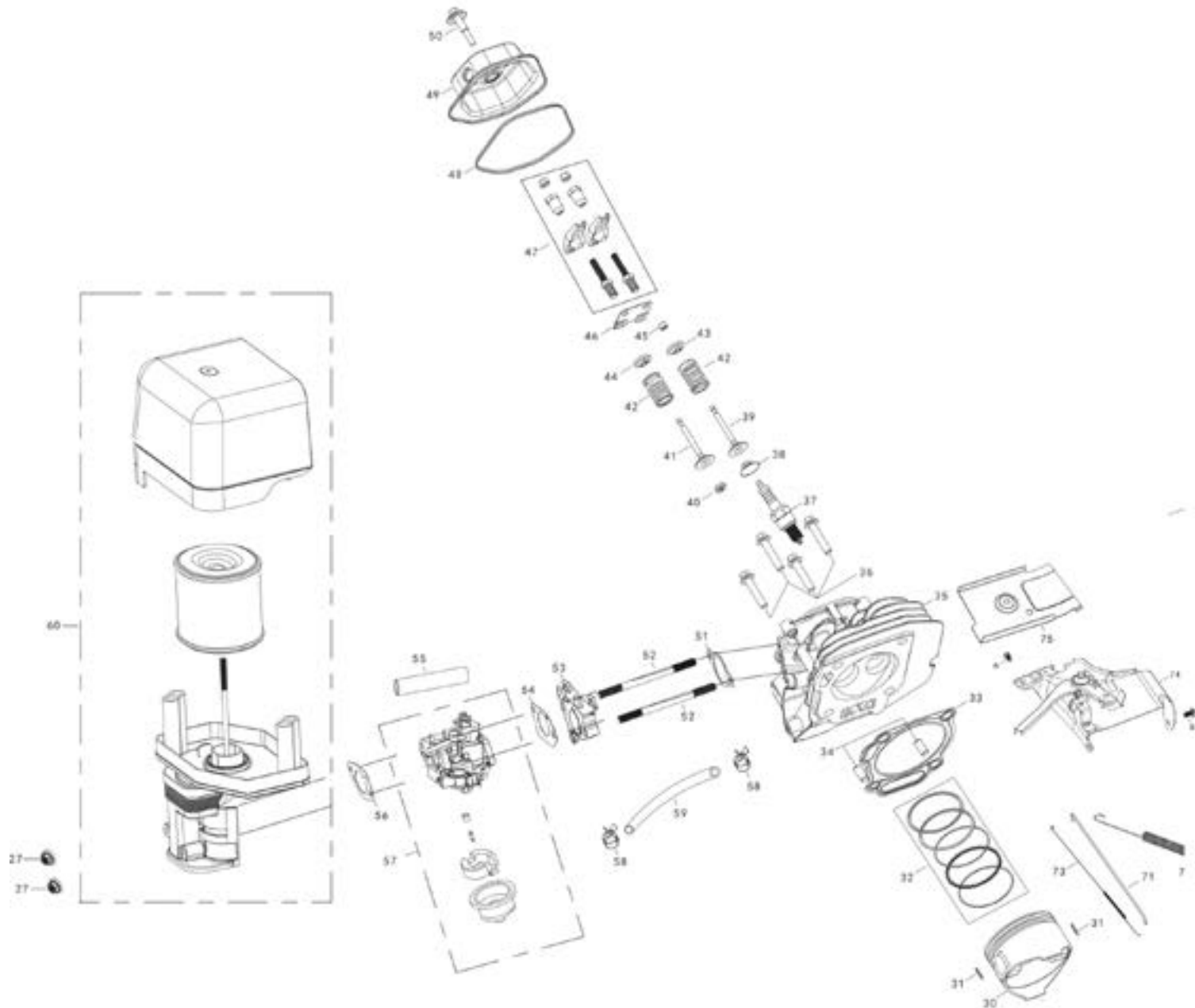
# ENGINE DIAGRAM & PART LIST OF AM-RTP-9P-MAX INTERCULTIVATOR/POWER WEEDER



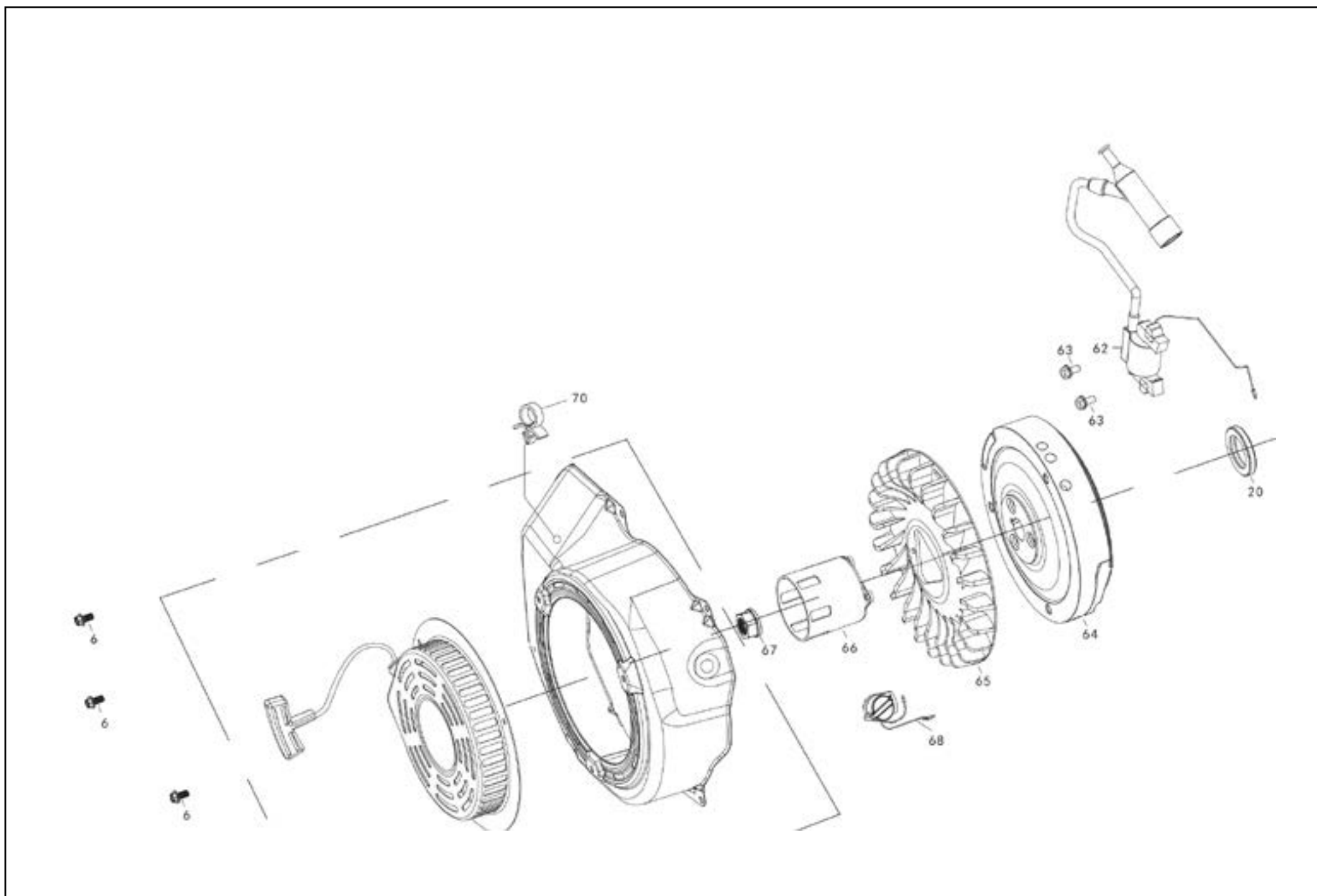
# ENGINE DIAGRAM & PART LIST OF AM-RTP-9P-MAX INTERCULTIVATOR/POWER WEEDER



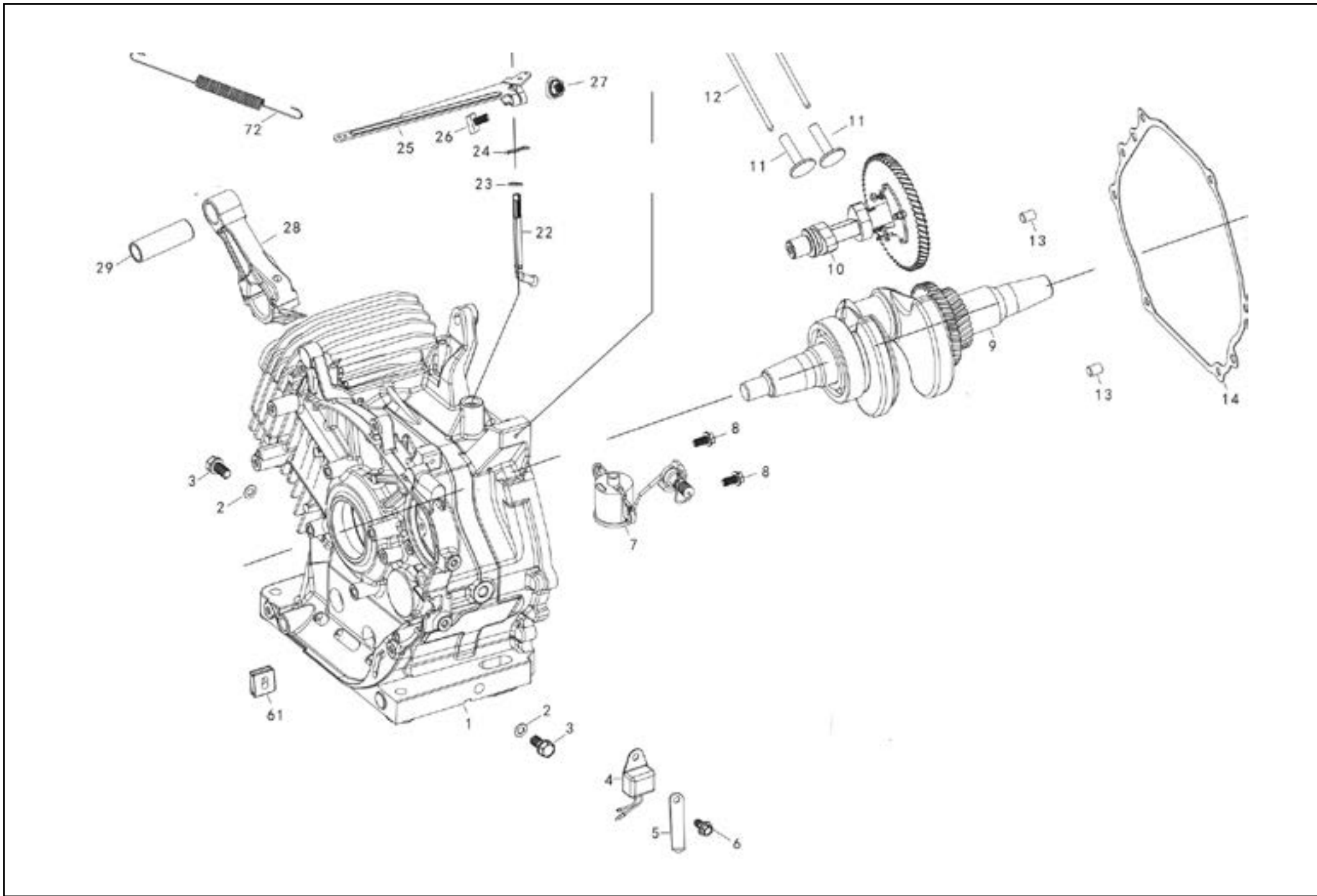
# ENGINE DIAGRAM & PART LIST OF AM-RTP-9P-MAX INTERCULTIVATOR/POWER WEEDER



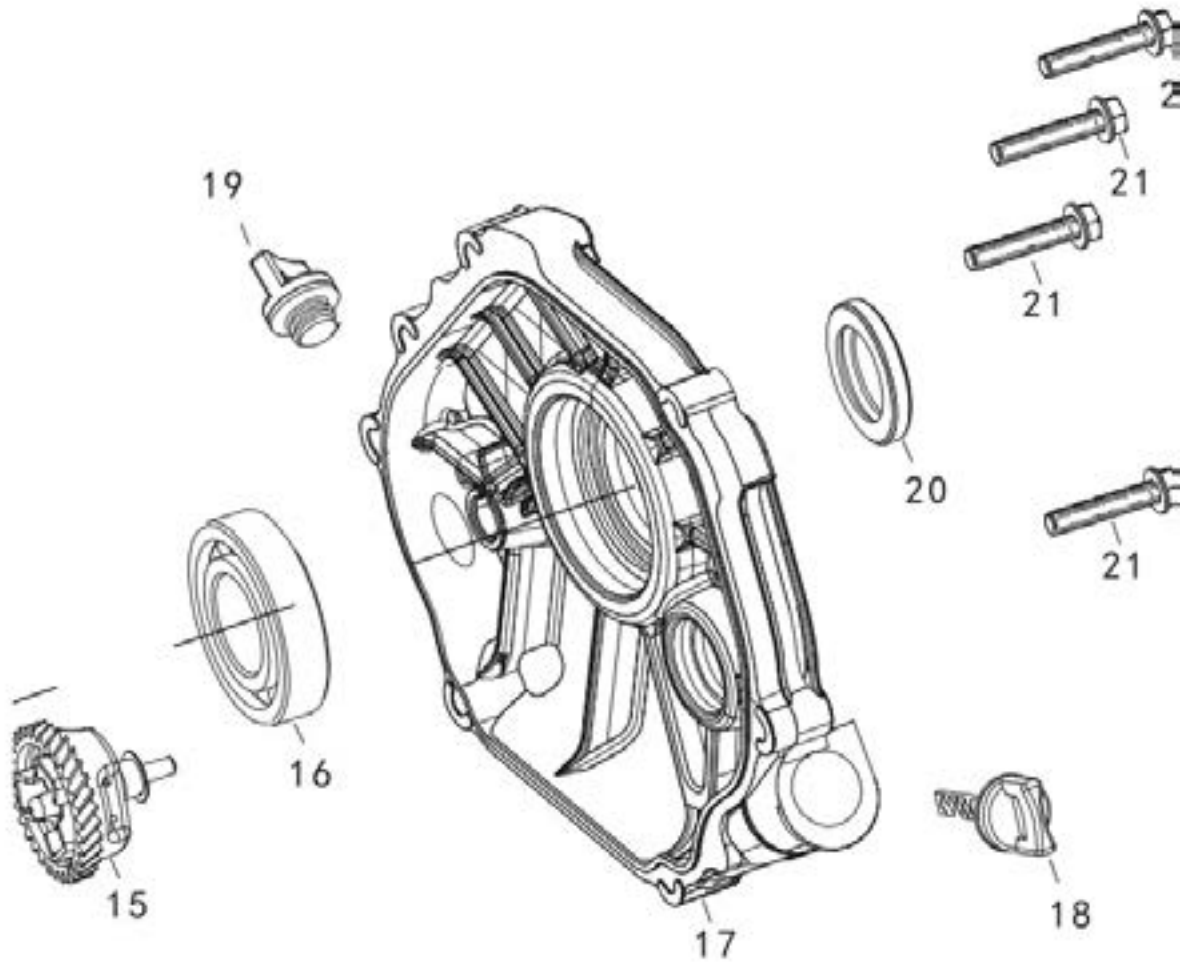
# ENGINE DIAGRAM & PART LIST OF AM-RTP-9P-MAX INTERCULTIVATOR/POWER WEEDER



# ENGINE DIAGRAM & PART LIST OF AM-RTP-9P-MAX INTERCULTIVATOR/POWER WEEDER



# ENGINE DIAGRAM & PART LIST OF AM-RTP-9P-MAX INTERCULTIVATOR/POWER WEEDER



# ENGINE DIAGRAM & PART LIST OF AM-RTP-9P-MAX INTERCULTIVATOR/POWER WEEDER

SL NO	PART NO	DESCRIPTION	SL NO	PART NO	DESCRIPTION
1	AM-177FPA-01	Crankcase	17	AM-177FPA-17	Crankcase Cover Assy
2	AM-177FPA-02	Washer	18	AM-177FPA-18	Dipstick
3	AM-177FPA-03	Drain Bolt	19	AM-177FPA-19	Oil Plug
4	AM-177FPA-04	Oil Alert Unit	20	AM-177FPA-20	Oil Seal
5	AM-177FPA-05	Metal Line Card	21	AM-177FPA-21	Bolt
6	AM-177FPA-06	Bolt	22	AM-177FPA-22	Swinging Rod
7	AM-177FPA-07	Oil Sensor	23	AM-177FPA-23	Washer
8	AM-177FPA-08	Bolt	24	AM-177FPA-24	Split Clin
9	AM-177FPA-09	Crankshaft	25	AM-177FPA-25	Governor Arm
10	AM-177FPA-10	Camshaft Assy	26	AM-177FPA-26	Square Head Bolt
11	AM-177FPA-11	Valve Lifter	27	AM-177FPA-27	Nut
12	AM-177FPA-12	Push Rod	28	AM-177FPA-28	Connecting Rod Assy
13	AM-177FPA-13	Set Pin	29	AM-177FPA-29	Pin Piston
14	AM-177FPA-14	Gasket, Crankcase	30	AM-177FPA-30	Piston
15	AM-177FPA-15	Governor Gear	31	AM-177FPA-31	Piston Clip
16	AM-177FPA-16	Radial Ball Bearing	32	AM-177FPA-32	Piston Ring Assy



# ENGINE DIAGRAM & PART LIST OF AM-RTP-9P-MAX INTERCULTIVATOR/POWER WEEDER

SL NO	PART NO	DESCRIPTION	SL NO	PART NO	DESCRIPTION
33	AM-177FPA-33	Gasket,Cylinder Head	49	AM-177FPA-49	Cylinder Head Cover
34	AM-177FPA-34	Set Pin	50	AM-177FPA-50	Nonstandard Bolt
35	AM-177FPA-35	Cylinder Head Comp	51	AM-177FPA-51	Inlet Gasket
36	AM-177FPA-36	Bolt	52	AM-177FPA-52	Double Armed Bolt
37	AM-177FPA-37	Spark Plug	53	AM-177FPA-53	Carburetor Insulation
38	AM-177FPA-38	Exhaust Valve Spring Retain	54	AM-177FPA-54	Carbretor Gasket
39	AM-177FPA-39	Exhaust Valve	55	AM-177FPA-55	Airclean Pipe
40	AM-177FPA-40	Inlet Valve Oil Seal	56	AM-177FPA-56	Gasket Air Cleaner
41	AM-177FPA-41	Intake Valve	57	AM-177FPA-57	Carburetor
42	AM-177FPA-42	Valve Spring	58	AM-177FPA-58	Pipe Clip
43	AM-177FPA-43	Exhaust Valve Spring Seat	59	AM-177FPA-59	Fuel Pipe
44	AM-177FPA-44	Intake Valve Spring Seat	60	AM-177FPA-60	Air Cleaner
45	AM-177FPA-45	Exhaust Valve Cap	61	AM-177FPA-61	Rubber Of Clip
46	AM-177FPA-46	Push Rod Guide Plate	62	AM-177FPA-62	Ignition Coil Assy
47	AM-177FPA-47	Rocker Arm Assy	63	AM-177FPA-63	Bolt
48	AM-177FPA-48	Gasket Cylinder Head Cover	64	AM-177FPA-64	Fly Wheel

# ENGINE DIAGRAM & PART LIST OF AM-RTP-9P-MAX INTERCULTIVATOR/POWER WEEDER

SL NO	PART NO	DESCRIPTION	SL NO	PART NO	DESCRIPTION
65	AM-177FPA-65	Fly Wheel Fan	76	AM-177FPA-76	Double Armed Bolt
66	AM-177FPA-66	Starter Pulley	77	AM-177FPA-77	Gasket Muffler Pipe
67	AM-177FPA-67	Nut	78	AM-177FPA-78	Metal Belt Disc Check Nut
68	AM-177FPA-68	Engine Stop Switch	79	AM-177FPA-79	Muffler Pipe
69	AM-177FPA-69	Kick Starter Assy	80	AM-177FPA-80	Gasket Muffler
70	AM-177FPA-70	Plastic Clip	81	AM-177FPA-81	Muffler
71	AM-177FPA-71	Pulling Rod	82	AM-177FPA-82	Fuel Tank
72	AM-177FPA-72	Governor Spring	83	AM-177FPA-83	Fuel Tank Cap
73	AM-177FPA-73	Throttle Return Spring	84	AM-177FPA-84	Bolt
74	AM-177FPA-74	Governor Stay	85	AM-177FPA-85	Nut
75	AM-177FPA-75	Lead Wind Cover			