

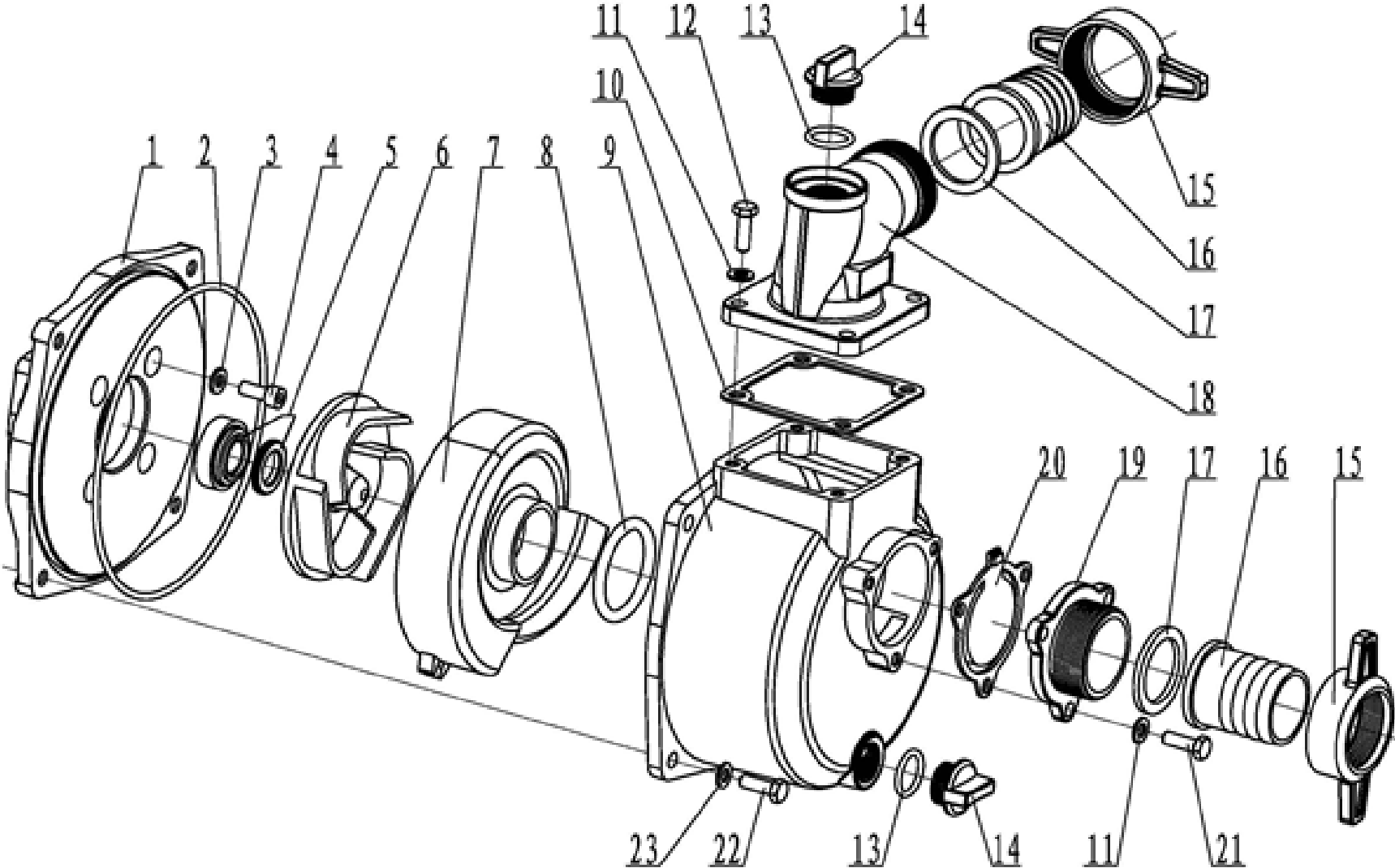
USER MANUAL
AGRICULTURE WATER PUMP
AM-WPD-178SP-3X3-MS



TECHNICAL SPECIFICATIONS

MODEL	AM-WPD-178SP-3X3-MS
ENGINE	AM-178F
Inlet/Outlet Diameter	80 mm (3 inch)
Max Flow Rate	38–42 m ³ /h
Max Lift	26M
Max Suction	8 M

PUMP DIAGRAM & SPARE PARTS LIST OF AM-WPD-178SP-3X3-MS



SL NO.	PART NO.	DESCRIPTION	SL NO.	PART NO	DESCRIPTION
1	AM-WP178-P01	Pump Cover	13	AM-WP178-P13	O-ring Seal
2	AM-WP178-P02	O-ring Seal	14	AM-WP178-P14	Threaded Plug
3	AM-WP178-P03	Sealing Gasket	15	AM-WP178-P15	Wrench
4	AM-WP178-P04	Hex Socket Head Screw	16	AM-WP178-P16	Pipe Connector
5	AM-WP178-P05	Mechanical Seal	17	AM-WP178-P17	Sealing Gasket
6	AM-WP178-P06	Impeller	18	AM-WP178-P18	Water Outlet
7	AM-WP178-P07	Guide Vane	19	AM-WP178-P19	Water Inlet
8	AM-WP178-P08	O-ring Seal	20	AM-WP178-P20	Check Valve
9	AM-WP178-P09	Pump Body	21	AM-WP178-P21	Hex Bolt
10	AM-WP178-P10	Outlet Sealing Gasket	22	AM-WP178-P22	Hex Bolt
11	AM-WP178-P11	Flat Washer	23	AM-WP178-P23	Flat Washer
12	AM-WP178-P12	Hex Bolt			