

## POWER SPRAYER

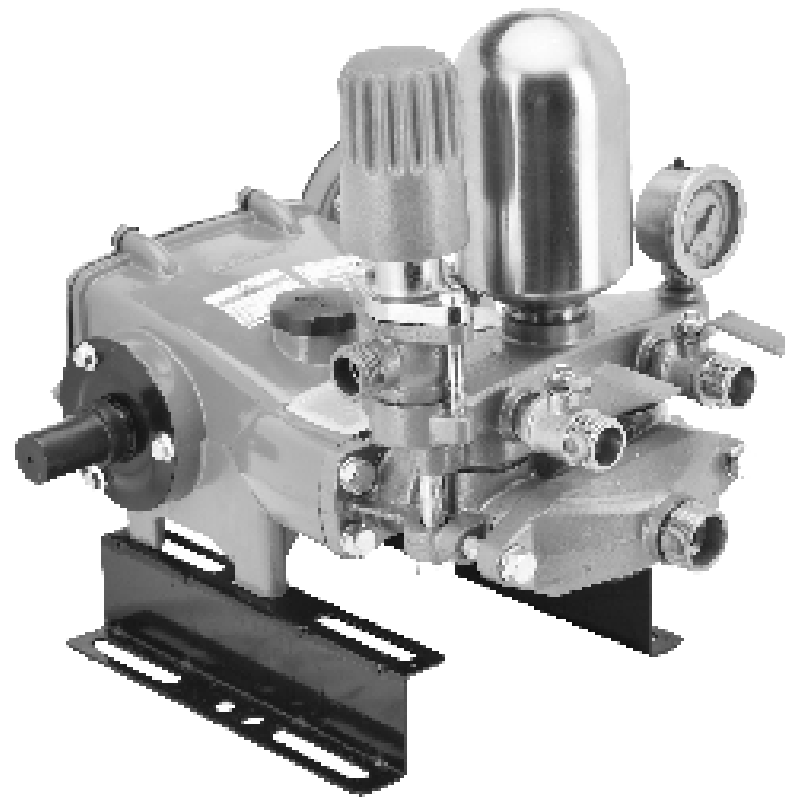
AMLS-522



AMLS-518



AMLS-530



DISCLAIMER : DUE TO CONTANT UPGRADATION FEATURES & SPECIFICATIONS ARE SELECT TO CHANGE WITHOUT NOTICE  
BEFORE OPERATING THIS MACHINE PLEASE READ THIS INSTRUCTIONS MANUAL CAREFULLY

## INTRODUCTION

Please peruse the contents in the instructions manual prior to using this machine, correctly carried out installation and debugging, as well as used it strictly according to the working specifications in the instruction manual. The user should be familiar with the safety notices, machine performance and maintenance, etc. The instruction manual will be used in the later use, repair, accessories replacement, and accessories procurement, so please keep it carefully.

## OPERATING INSTRUCTION

1. Securely mount the machine on the frame, ensured the two belt pulleys be parallel and on the same plane, and the tension of belt be moderate.
2. Add 30~ 40# machine oil upto 1/2 of oil gauge plug
3. The connectors of each rubber pipe and high pressure pipe must be locked tightly.
4. Before start the motor, open the jet gun and ball cock and loosen the adjusting screw
5. Start the motor , keeping it at appropriate velocity, waiting there is water ejecting from the jet gun, close the jet gun or ball cock, and adjust screw to let the pressure reach the working pressure.
6. Turn on the ball cock and jet gun, beginning spraying. During the process may properly adjust the adjusting screw to maintain the required pressure and lock tightly the fly nut at any moment.
7. After spraying, operate the sprayer with clean water for 2`3 minutes to clean the residual interior chemicals.
8. Firstly dismantle the suction hose, waiting there is no water flowing out from the jet gun or the overflow hose, stop the machine and dismantle overflow hose, high pressure pipe and loosen the adjusting screw.

## TECHNICAL PARAMETERS

### AMLS -522 POWER SPRAYER

|   |         |
|---|---------|
| RPM   | 500-900 |
| FLOW(L/MIN)                                     | 10-15   |
| WORKING PRESSURE(KGF/CM <sup>2</sup> )          | 20-35   |
| POWER (HP)                                      | 2-3     |
| PISTON DIA (MM)                                 | 22      |
| STROKE(MM)                                      | 16      |
| <b>A QUALITY PRODUCT - TAIWAN JOINT VENTURE</b> |         |

### AMLS -530 POWER SPRAYER

|   |         |
|---|---------|
| RPM   | 500-900 |
| FLOW(L/MIN)                                     | 17-18   |
| WORKING PRESSURE(KGF/CM <sup>2</sup> )          | 20-35   |
| POWER (HP)                                      | 3-5     |
| PISTON DIA (MM)                                 | 30      |
| STROKE(MM)                                      | 20      |
| <b>A QUALITY PRODUCT - TAIWAN JOINT VENTURE</b> |         |

### AMLS -518 POWER SPRAYER

|   |         |
|---|---------|
| RPM   | 500-900 |
| FLOW(L/MIN)                                     | 6-10    |
| WORKING PRESSURE(KGF/CM <sup>2</sup> )          | 20-35   |
| POWER (HP)                                      | 1-2     |
| PISTON DIA (MM)                                 | 18      |
| STROKE(MM)                                      | 16      |
| <b>A QUALITY PRODUCT - TAIWAN JOINT VENTURE</b> |         |

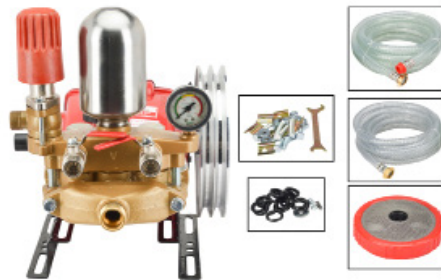
## MAINTANANCE & SERVICE

1. Replace the oil after begin use for 40hours and then replace it one time using each 70hours.
2. Add grease one time each two hours during using
3. After each work finished, operate it with clean water for 2~3 hours.
4. For long term placement, wipe clean the sprayer machine and place it at the cool and dry place.

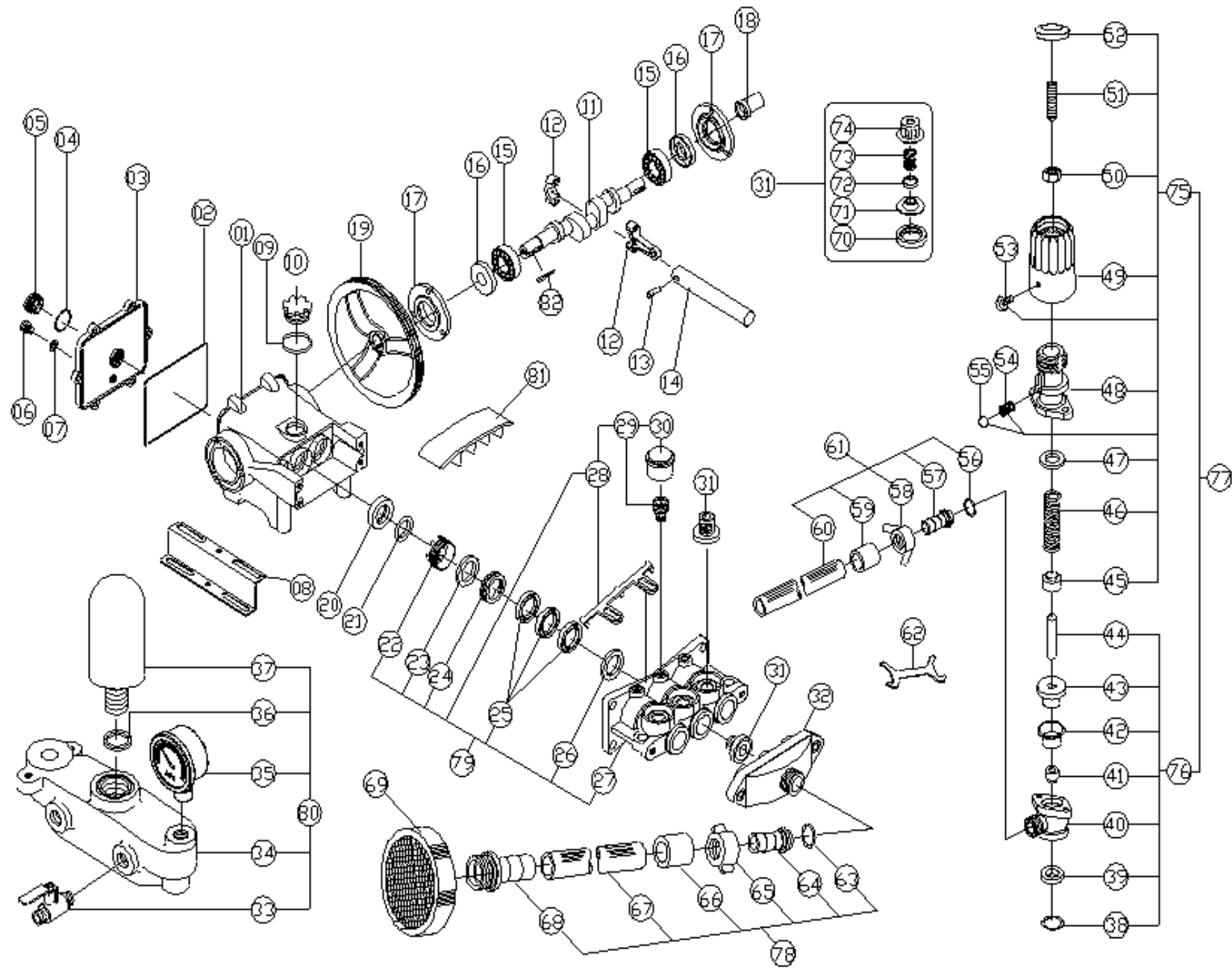
## SAFETY NOTICES

1. Using this machine extra high pressure is prohoboted
2. The belt pulley should have safety preotctive device
3. Should wear such protective tools as breating mask while spraying toward personnel and working at the downwind position are prohibited.
4. Running withot water or lubricating oil is prohibited
5. Using such special working solutions as strong acid, strong alkali, etc. is prohibited, and should operate strictly according to the safety prompts of manufacturing plant in spraying.

## ACCESSORIES



# PART DIAGRAM OF AMLS-522 POWER SPRAYER



## PART LIST OF AMLS-522 HTP POWER SPRAYER

| SL NO | PART NO     | DESCRIPTION         | SL NO | PART NO     | DESCRIPTION          |
|-------|-------------|---------------------|-------|-------------|----------------------|
| 1     | AMLS-522-01 | Crank Case          | 17    | AMLS-522-17 | Cover,Oil Seal       |
| 2     | AMLS-522-02 | Ring CrankCase      | 18    | AMLS-522-18 | Cover,Shaft          |
| 3     | AMLS-522-03 | Cover CrankCase     | 19    | AMLS-522-19 | Pully                |
| 4     | AMLS-522-04 | Oil Gauge Plug      | 20    | AMLS-522-20 | Oil Seal,Plunger     |
| 5     | AMLS-522-05 | O-Ring              | 21    | AMLS-522-21 | Seal,Stopping Water  |
| 6     | AMLS-522-06 | Oil Plug            | 22    | AMLS-522-22 | Grand                |
| 7     | AMLS-522-07 | Ring                | 23    | AMLS-522-23 | O-Ring               |
| 8     | AMLS-522-08 | Oil Plug            | 24    | AMLS-522-24 | Grease Ring          |
| 9     | AMLS-522-09 | Bed CrankCase       | 25    | AMLS-522-25 | V-Packing            |
| 10    | AMLS-522-10 | Plunger Cover       | 26    | AMLS-522-26 | V-Packing Seat       |
| 11    | AMLS-522-11 | Crank Shaft         | 27    | AMLS-522-27 | Cylinder             |
| 12    | AMLS-522-12 | Connecting Rod      | 28    | AMLS-522-28 | Packing Stable Plate |
| 13    | AMLS-522-13 | Plunger Pin         | 29    | AMLS-522-29 | Grease Cup(seat)     |
| 14    | AMLS-522-14 | Plunger             | 30    | AMLS-522-30 | Grease Cup(head)     |
| 15    | AMLS-522-15 | Bearing             | 31    | AMLS-522-31 | Valve Assy           |
| 16    | AMLS-522-16 | crankshaft oil seal | 32    | AMLS-522-32 | Suction Metal        |

## PART LIST OF AMLS-522 HTP POWER SPRAYER

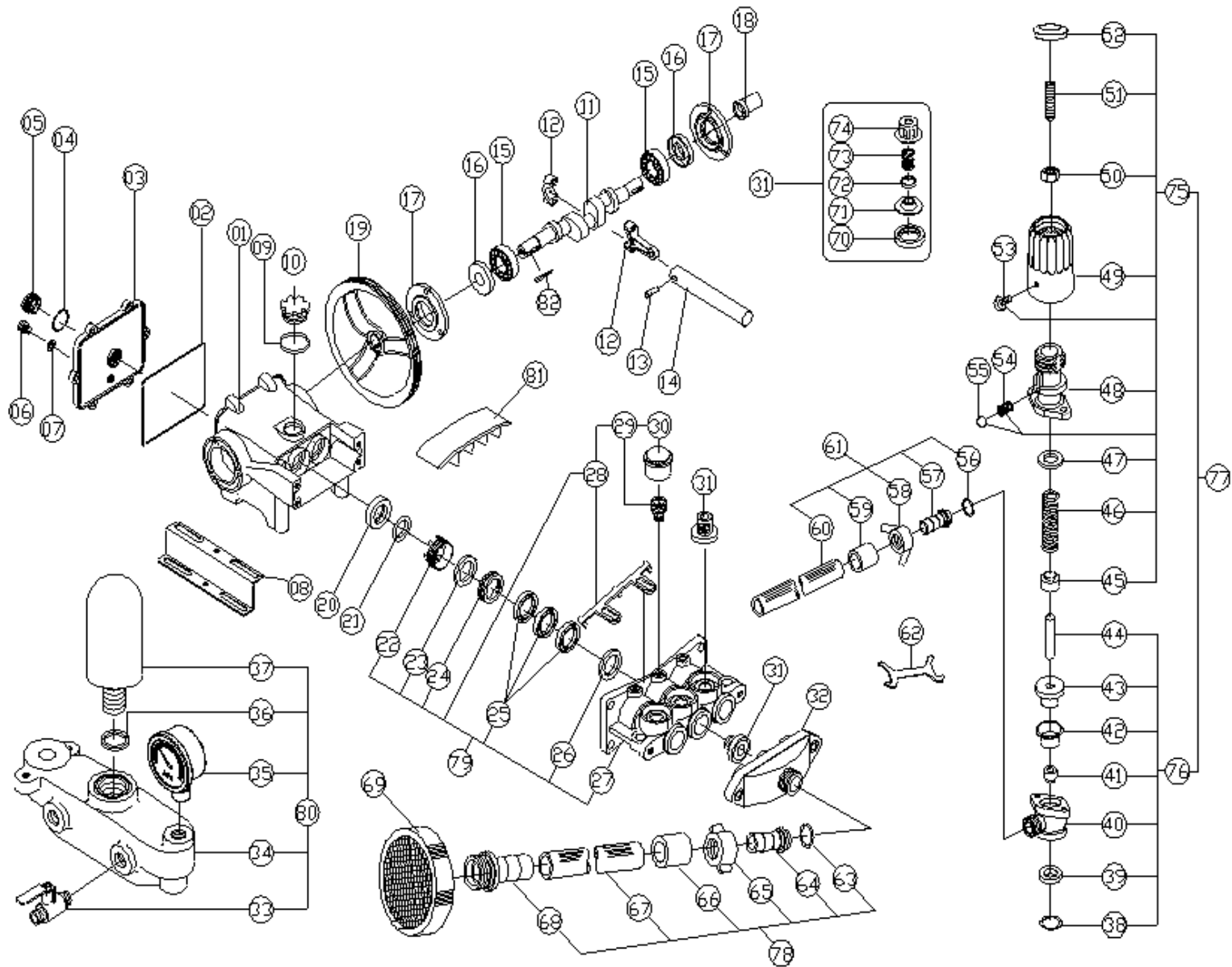
| SL NO | PART NO     | DESCRIPTION     | SL NO | PART NO     | DESCRIPTION        |
|-------|-------------|-----------------|-------|-------------|--------------------|
| 33    | AMLS-522-33 | Ball Cock       | 50    | AMLS-522-50 | Nut                |
| 34    | AMLS-522-34 | Discharge Metal | 51    | AMLS-522-51 | Screw              |
| 35    | AMLS-522-35 | Pressure Gauge  | 52    | AMLS-522-52 | Handle Cover       |
| 36    | AMLS-522-36 | O-Ring          | 53    | AMLS-522-53 | Screw              |
| 37    | AMLS-522-37 | Air Chamber     | 54    | AMLS-522-54 | Spring             |
| 38    | AMLS-522-38 | O-Ring          | 55    | AMLS-522-55 | Ball bearing       |
| 39    | AMLS-522-39 | Valve Seat      | 56    | AMLS-522-56 | O-Ring             |
| 40    | AMLS-522-40 | Body Overflow   | 57    | AMLS-522-57 | Core Coupling      |
| 41    | AMLS-522-41 | Valve           | 58    | AMLS-522-58 | Wing Net           |
| 42    | AMLS-522-42 | Water Seal Cup  | 59    | AMLS-522-59 | Brass Cup          |
| 43    | AMLS-522-43 | Box Water Seal  | 60    | AMLS-522-60 | Overflow Hose      |
| 44    | AMLS-522-44 | Valve Bar       | 61    | AMLS-522-61 | Overflow Hose Assy |
| 45    | AMLS-522-45 | Under Metal     | 62    | AMLS-522-62 | Adjusting Belt     |
| 46    | AMLS-522-46 | Spring          | 63    | AMLS-522-63 | O-Ring             |
| 47    | AMLS-522-47 | Upper Metal     | 64    | AMLS-522-64 | Core Coupling      |
| 48    | AMLS-522-48 | Spring Box      | 65    | AMLS-522-65 | Wing Net           |
| 49    | AMLS-522-49 | Adjusting Screw | 66    | AMLS-522-66 | Brass Cup          |

## PART LIST OF AMLS-522 HTP POWER SPRAYER

| SL NO | PART NO     | DESCRIPTION          | SL NO | PART NO | DESCRIPTION |
|-------|-------------|----------------------|-------|---------|-------------|
| 67    | AMLS-522-67 | Suction Hose         |       |         |             |
| 68    | AMLS-522-68 | Core Strainer        |       |         |             |
| 69    | AMLS-522-69 | Strainer Assy        |       |         |             |
| 70    | AMLS-522-70 | Valve Seal           |       |         |             |
| 71    | AMLS-522-71 | Valve Seat           |       |         |             |
| 72    | AMLS-522-72 | Stopper              |       |         |             |
| 73    | AMLS-522-73 | Valve Spring         |       |         |             |
| 74    | AMLS-522-74 | Spring Box           |       |         |             |
| 75    | AMLS-522-75 | Adjusting Screw Assy |       |         |             |
| 76    | AMLS-522-76 | Body Overflow Assy   |       |         |             |
| 77    | AMLS-522-77 | Adjusting Assy       |       |         |             |
| 78    | AMLS-522-78 | Suction Hose Assy    |       |         |             |
| 79    | AMLS-522-79 | Cylinder Assy        |       |         |             |
| 80    | AMLS-522-80 | Discharge Metal Assy |       |         |             |
| 81    | AMLS-522-81 | Plunger Cover        |       |         |             |
| 82    | AMLS-522-82 | Key                  |       |         |             |



# PART LIST OF AMLS-530 HTP POWER SPRAYER



# PART LIST OF AMLS-530 HTP POWER SPRAYER

| SL NO | PART NO     | DESCRIPTION         | SL NO | PART NO     | DESCRIPTION          |
|-------|-------------|---------------------|-------|-------------|----------------------|
| 1     | AMLS-530-01 | Crank Case          | 17    | AMLS-530-17 | Cover,Oil Seal       |
| 2     | AMLS-530-02 | Ring CrankCase      | 18    | AMLS-530-18 | Cover,Shaft          |
| 3     | AMLS-530-03 | Cover CrankCase     | 19    | AMLS-530-19 | Pully                |
| 4     | AMLS-530-04 | O-Ring              | 20    | AMLS-530-20 | Oil Seal,Plunger     |
| 5     | AMLS-530-05 | Oil Gauge Plug      | 21    | AMLS-530-21 | Seal,Stopping Water  |
| 6     | AMLS-530-06 | Oil Plug            | 22    | AMLS-530-22 | Grand                |
| 7     | AMLS-530-07 | Ring                | 23    | AMLS-530-23 | O-Ring               |
| 8     | AMLS-530-08 | Bed CrankCase       | 24    | AMLS-530-24 | Grease Ring          |
| 9     | AMLS-530-09 | O-Ring              | 25    | AMLS-530-25 | V-Packing            |
| 10    | AMLS-530-10 | Oil Plug            | 26    | AMLS-530-26 | V-Packing Seat       |
| 11    | AMLS-530-11 | Crank Shaft         | 27    | AMLS-530-27 | Cylinder             |
| 12    | AMLS-530-12 | Connecting Rod      | 28    | AMLS-530-28 | Packing Stable Plate |
| 13    | AMLS-530-13 | Plunger Pin         | 29    | AMLS-530-29 | Grease Cup(seat)     |
| 14    | AMLS-530-14 | Plunger             | 30    | AMLS-530-30 | Grease Cup(head)     |
| 15    | AMLS-530-15 | Bearing             | 31    | AMLS-530-31 | Valve Assy           |
| 16    | AMLS-530-16 | Crankshaft Oil seal | 32    | AMLS-530-32 | Suction Metal        |

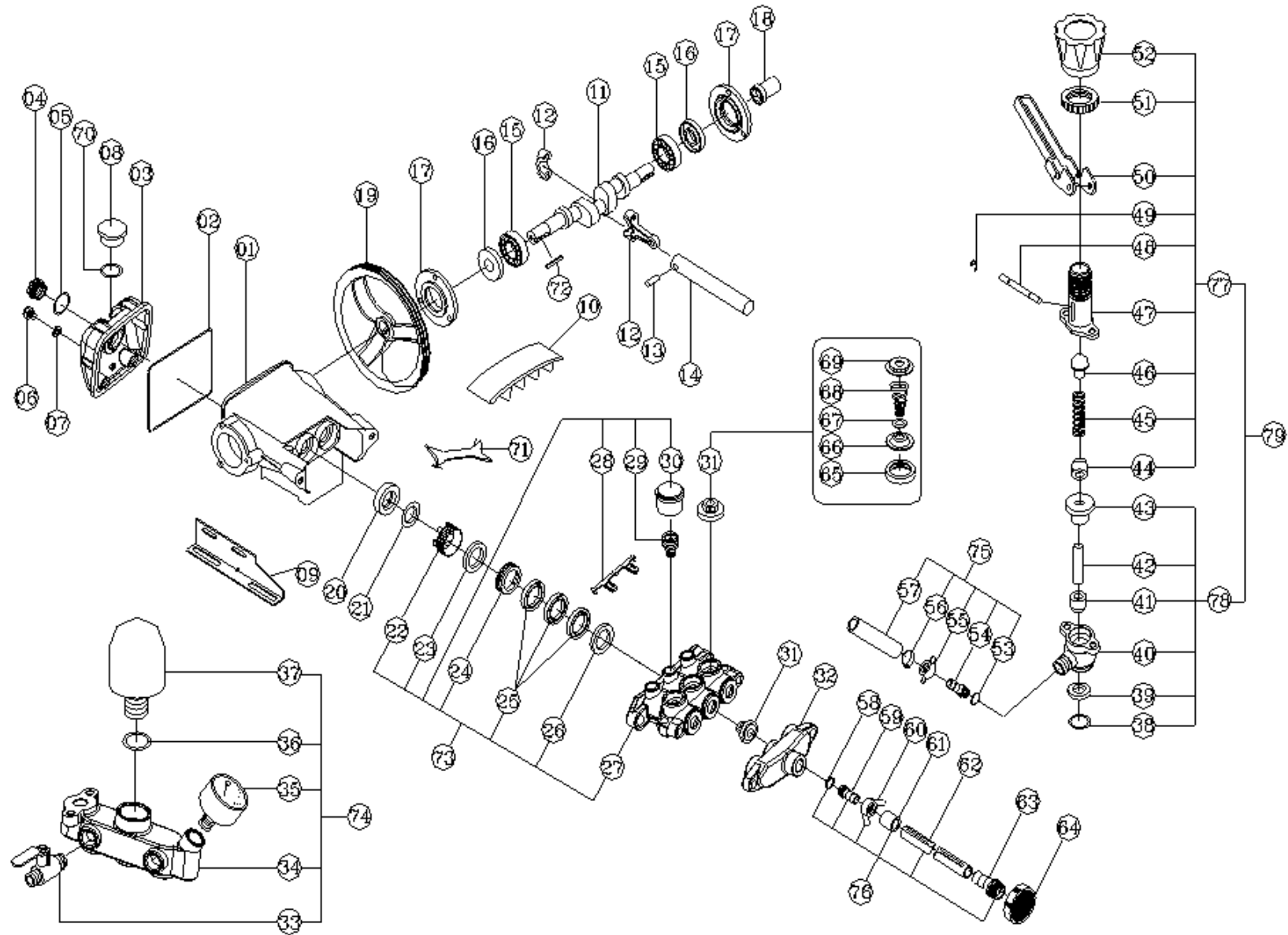
# PART LIST OF AMLS-530 HTP POWER SPRAYER

| SL NO | PART NO     | DESCRIPTION     | SL NO | PART NO     | DESCRIPTION         |
|-------|-------------|-----------------|-------|-------------|---------------------|
| 33    | AMLS-530-33 | Ball Cock       | 49    | AMLS-530-49 | Adjusting Screw     |
| 34    | AMLS-530-34 | Discharge Metal | 50    | AMLS-530-50 | Nut                 |
| 35    | AMLS-530-35 | Pressure Gauge  | 51    | AMLS-530-51 | Screw               |
| 36    | AMLS-530-36 | O-Ring          | 52    | AMLS-530-52 | Handle Cover        |
| 37    | AMLS-530-37 | Air Chamber     | 53    | AMLS-530-53 | Screw               |
| 38    | AMLS-530-38 | O-Ring          | 54    | AMLS-530-54 | Spring              |
| 39    | AMLS-530-39 | Valve Seat      | 55    | AMLS-530-55 | <b>ball bearing</b> |
| 40    | AMLS-530-40 | Body Overflow   | 56    | AMLS-530-56 | O-Ring              |
| 41    | AMLS-530-41 | Valve           | 57    | AMLS-530-57 | Core Coupling       |
| 42    | AMLS-530-42 | Water Seal Cup  | 58    | AMLS-530-58 | Wing Net            |
| 43    | AMLS-530-43 | Box Water Seal  | 59    | AMLS-530-59 | Brass Cup           |
| 44    | AMLS-530-44 | Valve Bar       | 60    | AMLS-530-60 | Overflow Hose       |
| 45    | AMLS-530-45 | Under Metal     | 61    | AMLS-530-61 | Overflow Hose Assy  |
| 46    | AMLS-530-46 | Spring          | 62    | AMLS-530-62 | Adjusting Belt      |
| 47    | AMLS-530-47 | Upper Metal     | 63    | AMLS-530-63 | O-Ring              |
| 48    | AMLS-530-48 | Spring Box      | 64    | AMLS-530-64 | Core Coupling       |

# PART LIST OF AMLS-530 HTP POWER SPRAYER

| SL NO | PART NO     | DESCRIPTION          | SL NO | PART NO     | DESCRIPTION   |
|-------|-------------|----------------------|-------|-------------|---------------|
| 65    | AMLS-530-65 | Wing Net             | 81    | AMLS-530-81 | Plunger Cover |
| 66    | AMLS-530-66 | Brass Cup            | 82    | AMLS-530-82 | Key           |
| 67    | AMLS-530-67 | Suction Hose         |       |             |               |
| 68    | AMLS-530-68 | Core Strainer        |       |             |               |
| 69    | AMLS-530-69 | Strainer Assy        |       |             |               |
| 70    | AMLS-530-70 | Valve Seal           |       |             |               |
| 71    | AMLS-530-71 | Valve Seat           |       |             |               |
| 72    | AMLS-530-72 | Stopper              |       |             |               |
| 73    | AMLS-530-73 | Valve Spring         |       |             |               |
| 74    | AMLS-530-74 | Spring Box           |       |             |               |
| 75    | AMLS-530-75 | Adjusting Screw Assy |       |             |               |
| 76    | AMLS-530-76 | Body Overflow Assy   |       |             |               |
| 77    | AMLS-530-77 | Adjusting Assy       |       |             |               |
| 78    | AMLS-530-78 | Suction Hose Assy    |       |             |               |
| 79    | AMLS-530-79 | Cylinder Assy        |       |             |               |
| 80    | AMLS-530-80 | Discharge Metal Assy |       |             |               |

# PART LIST OF AMLS-518 HTP POWER SPRAYER



# PART LIST OF AMLS-518 HTP POWER SPRAYER

| SL NO | PART NO     | DESCRIPTION          | SL NO | PART NO     | DESCRIPTION          |
|-------|-------------|----------------------|-------|-------------|----------------------|
| 1     | AMLS-518-01 | Crank Case           | 17    | AMLS-518-17 | Cover,Oil Seal       |
| 2     | AMLS-518-02 | Ring CrankCase       | 18    | AMLS-518-18 | Cover,Shaft          |
| 3     | AMLS-518-03 | Cover CrankCase      | 19    | AMLS-518-19 | Pully                |
| 4     | AMLS-518-04 | Oil Gauge Plug       | 20    | AMLS-518-20 | Oil Seal,Plunger     |
| 5     | AMLS-518-05 | O-Ring               | 21    | AMLS-518-21 | O-Ring               |
| 6     | AMLS-518-06 | Screw                | 22    | AMLS-518-22 | Grand                |
| 7     | AMLS-518-07 | Ring                 | 23    | AMLS-518-23 | O-Ring               |
| 8     | AMLS-518-08 | Oil Plug             | 24    | AMLS-518-24 | Grease Ring          |
| 9     | AMLS-518-09 | Bed CrankCase        | 25    | AMLS-518-25 | V-Packing            |
| 10    | AMLS-518-10 | Plunger Cover        | 26    | AMLS-518-26 | V-Packing Seat       |
| 11    | AMLS-518-11 | Crank Shaft          | 27    | AMLS-518-27 | Cylinder             |
| 12    | AMLS-518-12 | Connecting Rod       | 28    | AMLS-518-28 | Packing Stable Plate |
| 13    | AMLS-518-13 | Plunger Pin          | 29    | AMLS-518-29 | Grease Cup(seat)     |
| 14    | AMLS-518-14 | Plunger              | 30    | AMLS-518-30 | Grease Cup(head)     |
| 15    | AMLS-518-15 | Bearing              | 31    | AMLS-518-31 | Valve Assy           |
| 16    | AMLS-518-16 | Oil Seal,Crank Shaft | 32    | AMLS-518-32 | Suction Metal        |

# PART LIST OF AMLS-518 HTP POWER SPRAYER

| SL NO | PART NO     | DESCRIPTION     | SL NO | PART NO     | DESCRIPTION     |
|-------|-------------|-----------------|-------|-------------|-----------------|
| 33    | AMLS-518-33 | Ball Cock       | 49    | AMLS-518-49 | Fastener        |
| 34    | AMLS-518-34 | Discharge Metal | 50    | AMLS-518-50 | Lever           |
| 35    | AMLS-518-35 | Pressure Gauge  | 51    | AMLS-518-51 | Fly Nut         |
| 36    | AMLS-518-36 | O-Ring          | 52    | AMLS-518-52 | Adjusting Screw |
| 37    | AMLS-518-37 | Air Chamber     | 53    | AMLS-518-53 | O-Ring          |
| 38    | AMLS-518-38 | O-Ring          | 54    | AMLS-518-54 | Core Coupling   |
| 39    | AMLS-518-39 | Valve Seat      | 55    | AMLS-518-55 | Wing Net        |
| 40    | AMLS-518-40 | Body Overflow   | 56    | AMLS-518-56 | Brass Cup       |
| 41    | AMLS-518-41 | Valve           | 57    | AMLS-518-57 | Overflow Hose   |
| 42    | AMLS-518-42 | Valve Bar       | 58    | AMLS-518-58 | Packing         |
| 43    | AMLS-518-43 | Box WaterSeal   | 59    | AMLS-518-59 | Core Coupling   |
| 44    | AMLS-518-44 | Under Metal     | 60    | AMLS-518-60 | Wing Net        |
| 45    | AMLS-518-45 | Spring          | 61    | AMLS-518-61 | Brass Cup       |
| 46    | AMLS-518-46 | Upper Metal     | 62    | AMLS-518-62 | Overflow Hose   |
| 47    | AMLS-518-47 | Spring Box      | 63    | AMLS-518-63 | Core Strainer   |
| 48    | AMLS-518-48 | Pin             | 64    | AMLS-518-64 | Strainer Assy   |

# PART LIST OF AMLS-518 HTP POWER SPRAYER

| SL NO | PART NO     | DESCRIPTION          | SL NO | PART NO | DESCRIPTION |
|-------|-------------|----------------------|-------|---------|-------------|
| 65    | AMLS-518-65 | Valve Seal           |       |         |             |
| 66    | AMLS-518-66 | Valve Seat           |       |         |             |
| 67    | AMLS-518-67 | Stopper              |       |         |             |
| 68    | AMLS-518-68 | Valve Spring         |       |         |             |
| 69    | AMLS-518-69 | Spring Box           |       |         |             |
| 70    | AMLS-518-70 | O-Ring               |       |         |             |
| 71    | AMLS-518-71 | Adjusting Belt       |       |         |             |
| 72    | AMLS-518-72 | Key                  |       |         |             |
| 73    | AMLS-518-73 | Cylinder Assy        |       |         |             |
| 74    | AMLS-518-74 | Discharge Metal Assy |       |         |             |
| 75    | AMLS-518-75 | Overflow Hose Assy   |       |         |             |
| 76    | AMLS-518-76 | Suction Hose Assy    |       |         |             |
| 77    | AMLS-518-77 | Spring Box Assy      |       |         |             |
| 78    | AMLS-518-78 | Body Overflow Assy   |       |         |             |
| 79    | AMLS-518-79 | Adjusting Assy       |       |         |             |
|       |             |                      |       |         |             |



## INSPECTION & MAINTAINANCE

For safety use, make sure the machine is cleaned every three months. Before working, make sure to inspect the filter and the nozzle and ensure there is no impurity. After working, make sure there is no water in the pump and the hose.

If the machine needs to be repaired in the guarantee period, please return the machine to the shop. You need to provide the certificate of purchase on order to repair or get the substitute.

Before packing, the machine should be cleaned, then use closed packaging, packaging should be firm. Store the machine in dry place.

For transportation safety. The machine should comply with ISTA.






Do not dispose of electrical machines as unsorted municipal waste, use separate collection facilities.

If electrical machines are disposed of in landfills or dumps, hazardous substances can leak into the ground water and get into the food chain, damaging your health and well being.

When replacing old machines with new ones, the retailer is legally obligated to take back your old machine for disposals at least free of charge.






# WARRANTY CARD

## CUSTOMER COPY

|   |   |   |                    |
|---|---|---|--------------------|
| DATE _____  | DATE OF DELIVERY _____  | DEALERS OFFICIAL SEAL   | DEALERS SIGN _____ |
| PURCHASERS NAME & ADDRESS _____<br>_____  | <br>CUSTOMER SIGN |  |                    |
| PRODUCT NAME  | PRODUCT SERIAL NO.  | INVOICE/DN NO.  |                    |
|  |                   |  |                    |






I/Will accept the terms and conditions of warranty as in the warranty card

## DEALERS COPY

|   |   |   |                    |
|---|---|---|--------------------|
| DATE _____  | DATE OF DELIVERY _____  | DEALERS OFFICIAL SEAL   | DEALERS SIGN _____ |
| PURCHASERS NAME & ADDRESS _____<br>_____  | <br>CUSTOMER SIGN |  |                    |
| PRODUCT NAME  | PRODUCT SERIAL NO.  | INVOICE/DN NO.  |                    |
|  |                   |  |                    |

I/Will accept the terms and conditions of warranty as in the warranty card

## COMPANY COPY

|  |   |   |                    |
|--|---|---|--------------------|
| DATE _____   | DATE OF DELIVERY _____  | DEALERS OFFICIAL SEAL   | DEALERS SIGN _____ |
| PURCHASERS NAME & ADDRESS _____<br>_____   | <br>CUSTOMER SIGN |  |                    |
| PRODUCT NAME   | PRODUCT SERIAL NO.  | INVOICE/DN NO.  |                    |
|  |                   |  |                    |

I/Will accept the terms and conditions of warranty as in the warranty card

1. LIMITED WARRANTY PERIOD : For a period of six months from the date of Sale / delivery of the product which ever is earlier. 2. LIMITED WARRANTY OBLIGATION : Replacement of defective part(s) by authorized dealer are free of charges. If found defective by reasons of defective material / poor workmanship, parts will be replaced and there will be no value re-imburement. 3. TERMS & CONDITIONS : a. Claims under warranty will be accepted on submission of Warranty Card duly filled and stamped by authorized dealer together with the original purchase document. : b. Shipping / transportation / Incidental charges incurred in replacing defective parts under warranty shall be borne by the purchaser

WARRANTY null & void if

- (i) Lack of maintenance, (ii) Incorrect use of the machine or tampering, (iii) Use of non-genuine spare parts, (iv) Usage of acids, solvents, or any flammable materials, (v) Non-usage of filter water / clear water / soft water & using water above 40°C temperature, (vi) While using the pressure washers to draw water which is contaminated with dust & solvents (eg. paint thinners, gasoline, oil, etc.), (vii) Repair done by unauthorized service people, (viii) Those parts subject to wear & tear due to normal operations and plastic parts, rubber items etc, (ix) Loose connections, faulty electrical fixtures & fluctuations in power supply.
- 4. Should any failure occur during or after the warranty period, customer does not have the right to interrupt payment / price discount.
- 5. Incidental or consequential damages like inconvenience commercial loss, loss of tie, mental agony etc.
- 6. Loss of any nature due to operation or non-operation is not covered under warranty.
- 7. All free service are at Dealer's service point only.
- 8. Warranty ceases if service is not done periodically.
- 9. The attached card should be completed and returned to Ratnagiri Impex Pvt. Ltd. for registration immediately after sale / delivery.
- 10. The warranty is void unless you register the warranty card with Ratnagiri Impex Pvt. Ltd.
- 11. The decision of Ratnagiri Impex Pvt. Ltd., in settling the warranty is final in all respects.
- 12. All disputes are subject to Bangalore Courts Jurisdiction

1. LIMITED WARRANTY PERIOD : For a period of six months from the date of Sale / delivery of the product which ever is earlier. 2. LIMITED WARRANTY OBLIGATION : Replacement of defective part(s) by authorized dealer are free of charges. If found defective by reasons of defective material / poor workmanship, parts will be replaced and there will be no value re-imburement. 3. TERMS & CONDITIONS : a. Claims under warranty will be accepted on submission of Warranty Card duly filled and stamped by authorized dealer together with the original purchase document. : b. Shipping / transportation / Incidental charges incurred in replacing defective parts under warranty shall be borne by the purchaser.

WARRANTY null & void if

- (i) Lack of maintenance, (ii) Incorrect use of the machine or tampering, (iii) Use of non-genuine spare parts, (iv) Usage of acids, solvents, or any flammable materials, (v) Non-usage of filter water / clear water / soft water & using water above 40°C temperature, (vi) While using the pressure washers to draw water which is contaminated with dust & solvents (eg. paint thinners, gasoline, oil, etc.), (vii) Repair done by unauthorized service people, (viii) Those parts subject to wear & tear due to normal operations and plastic parts, rubber items etc, (ix) Loose connections, faulty electrical fixtures & fluctuations in power supply.
- 4. Should any failure occur during or after the warranty period, customer does not have the right to interrupt payment / price discount.
- 5. Incidental or consequential damages like inconvenience commercial loss, loss of tie, mental agony etc.
- 6. Loss of any nature due to operation or non-operation is not covered under warranty.
- 7. All free service are at Dealer's service point only.
- 8. Warranty ceases if service is not done periodically.
- 9. The attached card should be completed and returned to Ratnagiri Impex Pvt. Ltd. for registration immediately after sale / delivery.
- 10. The warranty is void unless you register the warranty card with Ratnagiri Impex Pvt. Ltd.
- 11. The decision of Ratnagiri Impex Pvt. Ltd., in settling the warranty is final in all respects.
- 12. All disputes are subject to Bangalore Courts Jurisdiction

1. LIMITED WARRANTY PERIOD : For a period of six months from the date of Sale / delivery of the product which ever is earlier. 2. LIMITED WARRANTY OBLIGATION : Replacement of defective part(s) by authorized dealer are free of charges. If found defective by reasons of defective material / poor workmanship, parts will be replaced and there will be no value re-imburement. 3. TERMS & CONDITIONS : a. Claims under warranty will be accepted on submission of Warranty Card duly filled and stamped by authorized dealer together with the original purchase document. : b. Shipping / transportation / Incidental charges incurred in replacing defective parts under warranty shall be borne by the purchaser.

WARRANTY null & void if

- (i) Lack of maintenance, (ii) Incorrect use of the machine or tampering, (iii) Use of non-genuine spare parts, (iv) Usage of acids, solvents, or any flammable materials, (v) Non-usage of filter water / clear water / soft water & using water above 40°C temperature, (vi) While using the pressure washers to draw water which is contaminated with dust & solvents (eg. paint thinners, gasoline, oil, etc.), (vii) Repair done by unauthorized service people, (viii) Those parts subject to wear & tear due to normal operations and plastic parts, rubber items etc, (ix) Loose connections, faulty electrical fixtures & fluctuations in power supply.
- 4. Should any failure occur during or after the warranty period, customer does not have the right to interrupt payment / price discount.
- 5. Incidental or consequential damages like inconvenience commercial loss, loss of tie, mental agony etc.
- 6. Loss of any nature due to operation or non-operation is not covered under warranty.
- 7. All free service are at Dealer's service point only.
- 8. Warranty ceases if service is not done periodically.
- 9. The attached card should be completed and returned to Ratnagiri Impex Pvt. Ltd. for registration immediately after sale / delivery.
- 10. The warranty is void unless you register the warranty card with Ratnagiri Impex Pvt. Ltd.
- 11. The decision of Ratnagiri Impex Pvt. Ltd., in settling the warranty is final in all respects.
- 12. All disputes are subject to Bangalore Courts Jurisdiction



**FREE SERVICE COUPON (30DAYS/30HRS. WHICHEVER IS EARLIER)**

MODEL

SERIAL NUMBER

PDI DATE

SERVICE NO.

PURCHASE BILL NO.

DATE

DEALERS OFFICE SEAL

- 1. Check and test the fuel mixture
- 3. Check , clean and adjust the spark plug
- 5. Check and sparken the cutting tools
- 7. Start and check the noise, vibration, loosen etc..

OPERATIONS

- 2. check and clean the air filter
- 4. Check and adjust the carburetor tuning
- 6. Product familirisation on usage
- 8. Routine maintenance and shortage.

**FREE SERVICE COUPON (30DAYS/30HRS. WHICHEVER IS EARLIER)**

MODEL

SERIAL NUMBER

PDI DATE

SERVICE NO.

PURCHASE BILL NO.

DATE

DEALERS OFFICE SEAL

- 1. Check and test the fuel mixture
- 3. Check , clean and adjust the spark plug
- 5. Check and sparken the cutting tools
- 7. Start and check the noise, vibration, loosen etc..

OPERATIONS

- 2. check and clean the air filter
- 4. Check and adjust the carburetor tuning
- 6. Product familirisation on usage
- 8. Routine maintenance and shortage.

**FREE SERVICE COUPON (30DAYS/30HRS. WHICHEVER IS EARLIER)**

MODEL

SERIAL NUMBER

PDI DATE

SERVICE NO.

PURCHASE BILL NO.

DATE

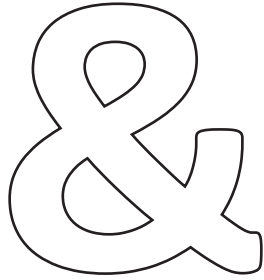
DEALERS OFFICE SEAL

- 1. Check and test the fuel mixture
- 3. Check , clean and adjust the spark plug
- 5. Check and sparken the cutting tools
- 7. Start and check the noise, vibration, loosen etc..

OPERATIONS

- 2. check and clean the air filter
- 4. Check and adjust the carburetor tuning
- 6. Product familirisation on usage
- 8. Routine maintenance and shortage.

# DOS



# DONTs

1. Always read the instruction manual supplied along with the equipments and understand the correct installation and operating procedures before attempting to use the equipments.
2. It is important to use the personal protection equipments such as head helmet with visor, ear defenders, goggles, safety gloves, cut resistant shoes, trousers and jackets while operating potentially dangerous machines
3. Avoid untrained persons using the equipments. Children must not be allowed to handle these equipments
4. Always use genuine spares and accessories in repairs and usage to derive maximum life of the equipments.
5. Always keep the equipments in good working condition to minimize loss of output as well as to reduce the pollution and save the environment
6. Do not use the machine within range of persons unless they wear protective clothing
7. Do not operate the machine when fatigued or under the influence of alcohol or drugs
8. When the machine is running, please maintain a constant water supply. Without water circulation will damage the sealing rings of the machine.
9. For more query kindly contact for our Service Center/Dealer/ franchise

# Agrimate Army For Pest Control

ANY WHERE - ANY TIME - ANY CROP



Marketed by:  
**ratnagiri  
impex**  
BRINGING YOU THE FUTURE... NOW

**RATNAGIRI IMPEX PVT., LTD.,**

Annapurna House, #1 / 1G, 7th Cross, New  
Guddadahalli

Mysore Road, Bangalore - 560 026

Missed Call : 7393 938 938

Email: [ask@agrimart.in](mailto:ask@agrimart.in)