



USER MANUAL

INTERCULTIVATOR/POWER WEEDER

GP-5D-ICT SELF START

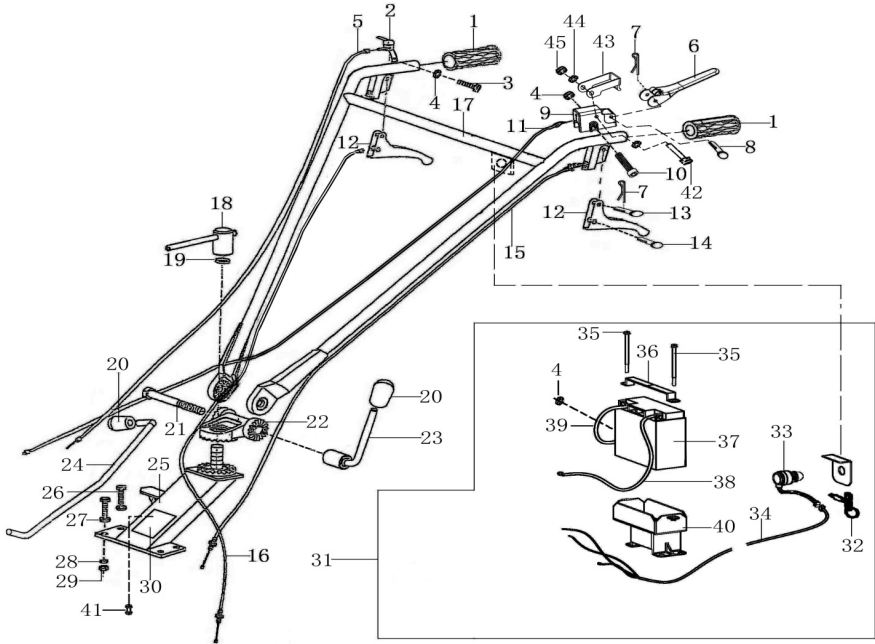
GP-5D-ICT RECOIL START



BEFORE OPERATING THIS MACHINE PLEASE READ
INSTRUCTION MANUAL CAREFULLY

TRANSMISSION DIGRAM & PART LIST OF GP-5D-ICT

HANDLE CONTROL PARTS



SL NO	PART NO	DESCRIPTION
1	GP-ICT-TA01	Handle Grip
2	GP-ICT-TA02	Shut Down Switch Comp
3	GP-ICT-TA03	Bolt
4	GP-ICT-TA04	Nut
5	GP-ICT-TA05	Throttle Cable Comp
6	GP-ICT-TA06	Flameout switch
7	GP-ICT-TA07	Clip
8	GP-ICT-TA08	Pin
9	GP-ICT-TA09	Flameout switch Seat
10	GP-ICT-TA10	Bolt

TRANSMISSION DIGRAM & PART LIST OF GP-5D-ICT

SL NO	PART NO	DESCRIPTION
1	GP-ICT-TB01	Sheath, Shift rod
2	GP-ICT-TB02	Pin , Shift rod
3	GP-ICT-TB03	Splitpin
4	GP-ICT-TB04	Bush Shift axes
5	GP-ICT-TB05	O-ring
6	GP-ICT-TB06	Shift axes
7	GP-ICT-TB07	Shift fork
8	GP-ICT-TB08	Shift gear box
9	GP-ICT-TB09	Oil stick
10	GP-ICT-TB10	O-ring, oil stick
11	GP-ICT-TB11	Principal axes
12	GP-ICT-TB12	Ring GB/T
13	GP-ICT-TB13	Steel ball GB/T
14	GP-ICT-TB14	Spring, Principal axes
15	GP-ICT-TB15	Iniative gear
16	GP-ICT-TB16	Axletree
17	GP-ICT-TB17	O-ring
18	GP-ICT-TB18	Pushing panel
19	GP-ICT-TB19	Oil seal B

TRANSMISSION DIGRAM & PART LIST OF GP-5D-ICT

SL NO	PART NO	DESCRIPTION
20	GP-ICT-TB20	O-ring
21	GP-ICT-TB21	Sheath, principal axes
22	GP-ICT-TB22	Gasket
23	GP-ICT-TB23	Nut
24	GP-ICT-TB24	Key
25	GP-ICT-TB25	Sheath, Key
26	GP-ICT-TB26	Gasket
27	GP-ICT-TB27	Spring washer
28	GP-ICT-TB28	Hex bolts
29	GP-ICT-TB29	Protec cover, principal axes
30	GP-ICT-TB30	Screw
31	GP-ICT-TB31	Splitpin
32	GP-ICT-TB32	Nut
33	GP-ICT-TB33	Washer
34	GP-ICT-TB34	Restrict cover, reverse gear
35	GP-ICT-TB35	Spring
36	GP-ICT-TB36	Spring seat, reverse gear
37	GP-ICT-TB37	Double gear, reverse gear

TRANSMISSION DIGRAM & PART LIST OF GP-5D-ICT

SL NO	PART NO	DESCRIPTION
38	GP-ICT-TB38	Pushing plate, reverse gear
39	GP-ICT-TB39	Axes, reverse gear
40	GP-ICT-TB40	Washer
41	GP-ICT-TB41	Spring washer
42	GP-ICT-TB42	Bolt
43	GP-ICT-TB43	Splitpin GB/T
44	GP-ICT-TB44	Nut GB/T
45	GP-ICT-TB45	Gasket
46	GP-ICT-TB46	Iniative umbrella gear
47	GP-ICT-TB47	Countershaft
48	GP-ICT-TB48	Key
49	GP-ICT-TB49	Ball bearing
50	GP-ICT-TB50	Double gear, counter-shaft
51	GP-ICT-TB51	Gasket, countershaft
52	GP-ICT-TB52	Sheath, countershaft
53	GP-ICT-TB53	Thrust ball bearing
54	GP-ICT-TB54	O-ring
55	GP-ICT-TB55	Column pin

TRANSMISSION DIGRAM & PART LIST OF GP-5D-ICT

SL NO	PART NO	DESCRIPTION
56	GP-ICT-TB56	Gasket
57	GP-ICT-TB57	Spring washer
58	GP-ICT-TB58	Bolt
59	GP-ICT-TB59	Sheath
60	GP-ICT-TB60	Worm column pin
61	GP-ICT-TB61	Reverse gear fork
62	GP-ICT-TB62	Axes, reverse gear fork
63	GP-ICT-TB63	Nut
64	GP-ICT-TB64	Seat, reverse gear cable
65	GP-ICT-TB65	Seat, clutch cable
66	GP-ICT-TB66	Seat, clutch cable
67	GP-ICT-TB67	Spring washer
68	GP-ICT-TB68	Pin ,clutch fork
69	GP-ICT-TB69	Axes, clutch fork
70	GP-ICT-TB70	Clutch fork
71	GP-ICT-TB71	Ring
72	GP-ICT-TB72	Clutch washer
73	GP-ICT-TB73	Axletree

TRANSMISSION DIGRAM & PART LIST OF GP-5D-ICT

SL NO	PART NO	DESCRIPTION
74	GP-ICT-TB74	Gasket
75	GP-ICT-TB75	Sawtooth locked gasket
76	GP-ICT-TB76	Flange bolt
77	GP-ICT-TB77	Axletree
78	GP-ICT-TB78	Core comp, clutch
79	GP-ICT-TB79	Screw
80	GP-ICT-TB80	Cover, cushion
81	GP-ICT-TB81	Spline plate, clutch
82	GP-ICT-TB82	Cushion
83	GP-ICT-TB83	Cover, clutch
84	GP-ICT-TB84	Core comp, clutch
85	GP-ICT-TB85	Platen
86	GP-ICT-TB86	Friction piece
87	GP-ICT-TB87	Driven piece
88	GP-ICT-TB88	Driven plate assy
89	GP-ICT-TB89	Spring
90	GP-ICT-TB90	Lift slab assy
91	GP-ICT-TB91	Screw

TRANSMISSION DIGRAM & PART LIST OF GP-5D-ICT

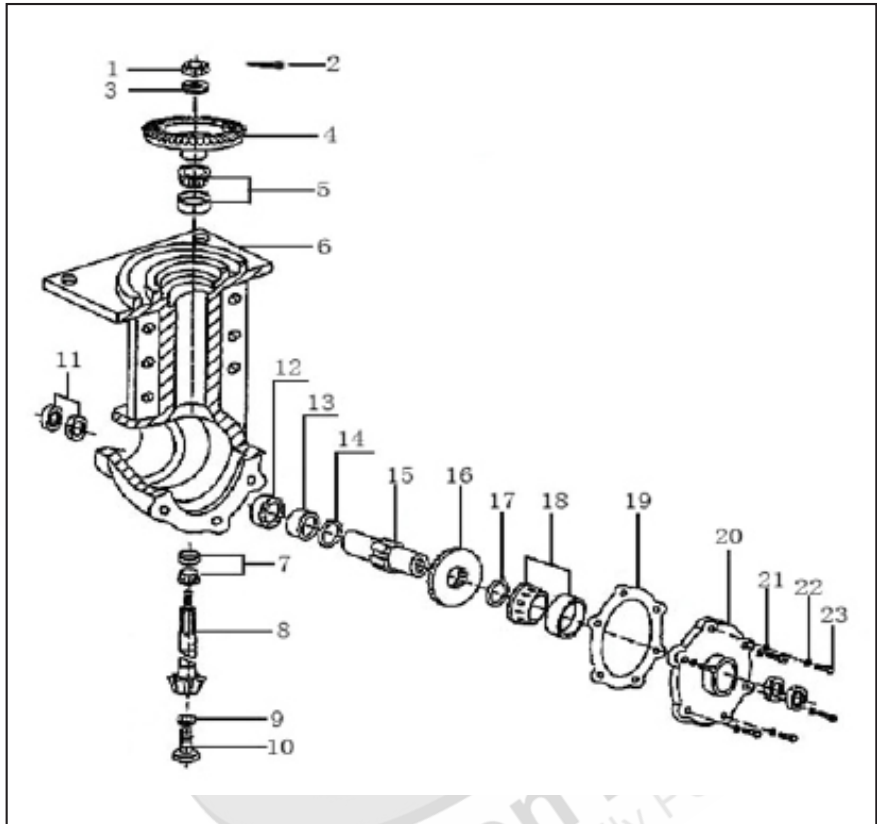
SL NO	PART NO	DESCRIPTION
92	GP-ICT-TB92	Steel ring
93	GP-ICT-TB93	Fixed sheath
94	GP-ICT-TB94	Ball bearing
95	GP-ICT-TB95	Active Pushing cover
96	GP-ICT-TB96	Gasket
97	GP-ICT-TB97	O-ring
98	GP-ICT-TB98	Washer



Green Panther
Naturally Powerful

TRANSMISSION DIGRAM & PART LIST OF GP-5D-ICT

Transmission Case Parts



SL NO	PART NO	DESCRIPTION
1	GP-ICT-TC01	Nut
2	GP-ICT-TC02	Splitpin
3	GP-ICT-TC03	Spring washer
4	GP-ICT-TC04	Driven umbrella gear
5	GP-ICT-TC05	Taper ball bearing
6	GP-ICT-TC06	Walking case

TRANSMISSION DIGRAM & PART LIST OF GP-5D-ICT

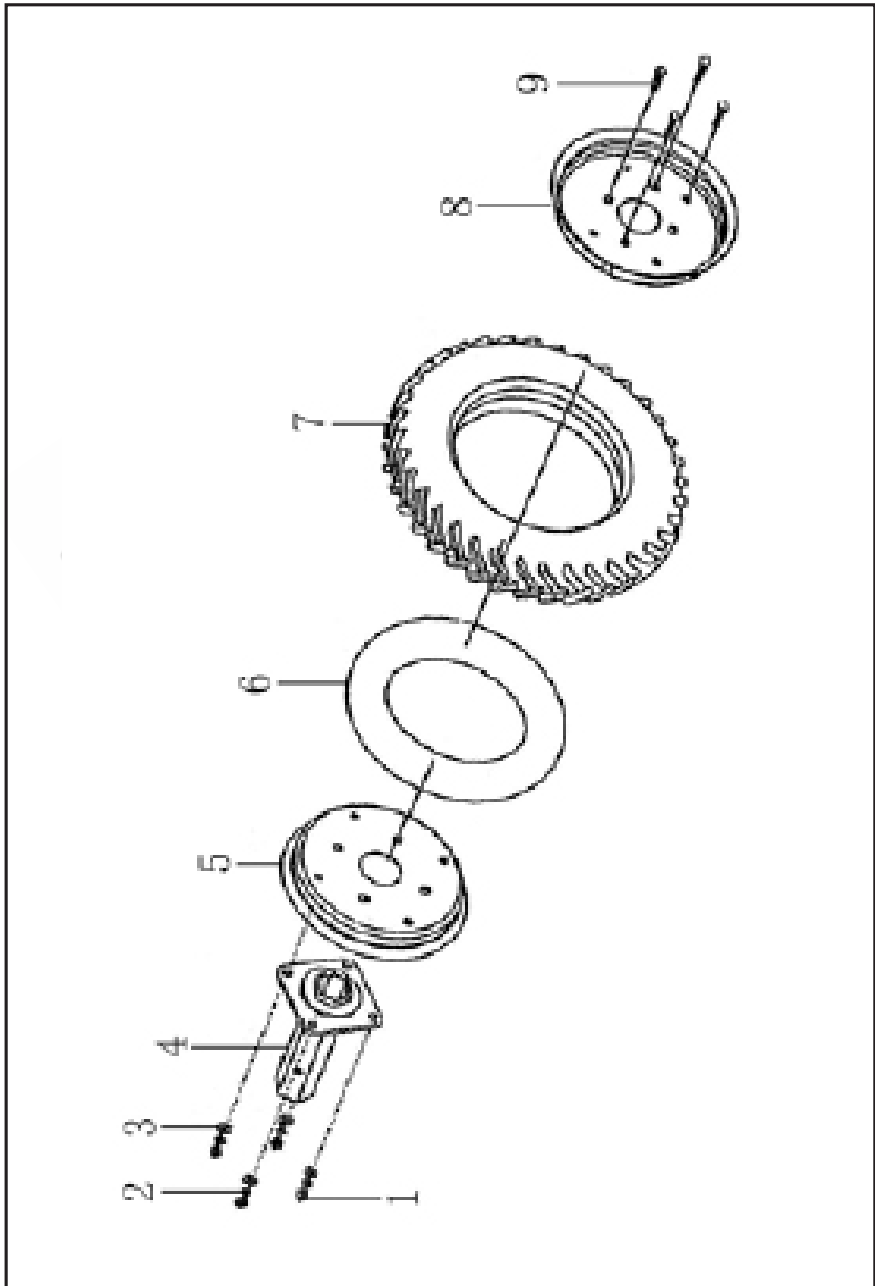
SL NO	PART NO	DESCRIPTION
1	GP-ICT-TC01	Nut
2	GP-ICT-TC02	Splitpin
3	GP-ICT-TC03	Spring washer
4	GP-ICT-TC04	Driven umbrella gear
5	GP-ICT-TC05	Taper ball bearing
6	GP-ICT-TC06	Walking case
14	GP-ICT-TC14	Gasket
15	GP-ICT-TC15	Cover, flange axes
16	GP-ICT-TC16	Walking umbrella gear
17	GP-ICT-TC17	Gasket
18	GP-ICT-TC18	Taper ball bearing
19	GP-ICT-TC19	Gasket
20	GP-ICT-TC20	Side cover, walking case
21	GP-ICT-TC21	Washer
22	GP-ICT-TC22	Spring washer
23	GP-ICT-TC23	Hex bolt

TRANSMISSION DIGRAM & PART LIST OF GP-5D-ICT

SL NO	PART NO	DESCRIPTION
1	GP-ICT-TD01	Round plate(optional)
2	GP-ICT-TD02	Counter tube
3	GP-ICT-TD03	Bolt
4	GP-ICT-TD04	Spring washer
5	GP-ICT-TD05	Nut
6	GP-ICT-TD06	Main tube
7	GP-ICT-TD07	Blade(L)
8	GP-ICT-TD08	Blade(R)
9	GP-ICT-TD09	Hex bolt
10	GP-ICT-TD10	Nut
11	GP-ICT-TD11	Washer
12	GP-ICT-TD12	Spring washer

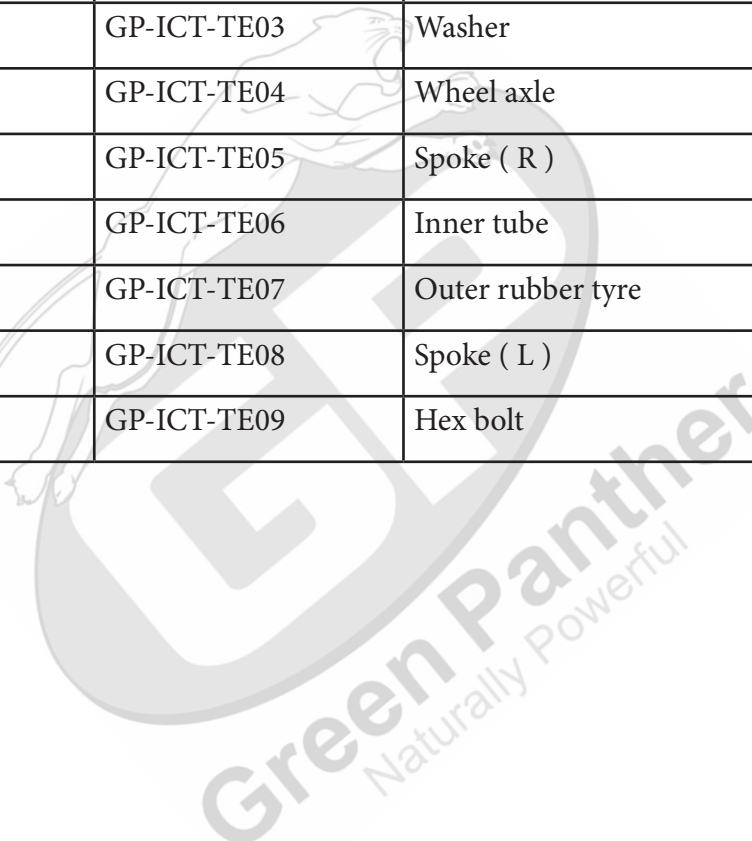
TRANSMISSION DIGRAM & PART LIST OF GP-5D-ICT

LAMBODIAL WHEEL PARTS



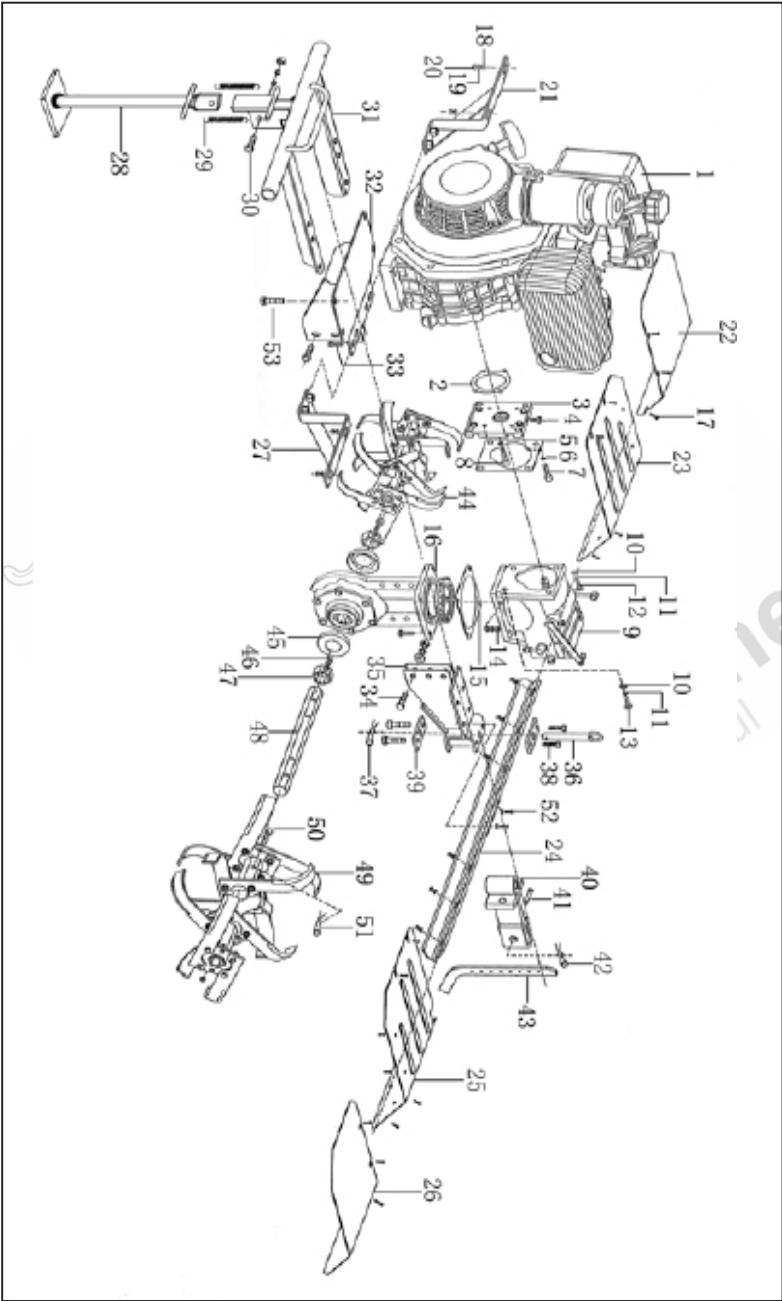
TRANSMISSION DIGRAM & PART LIST OF GP-5D-ICT

SL NO	PART NO	DESCRIPTION
1	GP-ICT-TE01	Nut
2	GP-ICT-TE02	Spring washer
3	GP-ICT-TE03	Washer
4	GP-ICT-TE04	Wheel axle
5	GP-ICT-TE05	Spoke (R)
6	GP-ICT-TE06	Inner tube
7	GP-ICT-TE07	Outer rubber tyre
8	GP-ICT-TE08	Spoke (L)
9	GP-ICT-TE09	Hex bolt

**Green Panther**
Naturally Powerful

TRANSMISSION DIGRAM & PART LIST OF GP-5D-ICT

Joint Part



TRANSMISSION DIGRAM & PART LIST OF GP-5D-ICT

SL NO	PART NO	DESCRIPTION
1	GP-ICT-TF01	Diesel engine comp
1.1	GP-ICT-TF1.1	Diesel engine comp (Electric start)
2	GP-ICT-TF02	Flange gasket
3	GP-ICT-TF03	Flange
4	GP-ICT-TF04	Bolt
5	GP-ICT-TF05	Airproof gasket, gear box
6	GP-ICT-TF06	Spring washer
7	GP-ICT-TF07	Screw
8	GP-ICT-TF08	Screw
9	GP-ICT-TF09	Gear box comp
10	GP-ICT-TF10	Washer
11	GP-ICT-TF11	Spring washer
12	GP-ICT-TF12	Bolts
13	GP-ICT-TF13	Bolts
14	GP-ICT-TF14	Nut
15	GP-ICT-TF15	Core comp, clutch
16	GP-ICT-TF16	Gear box comp

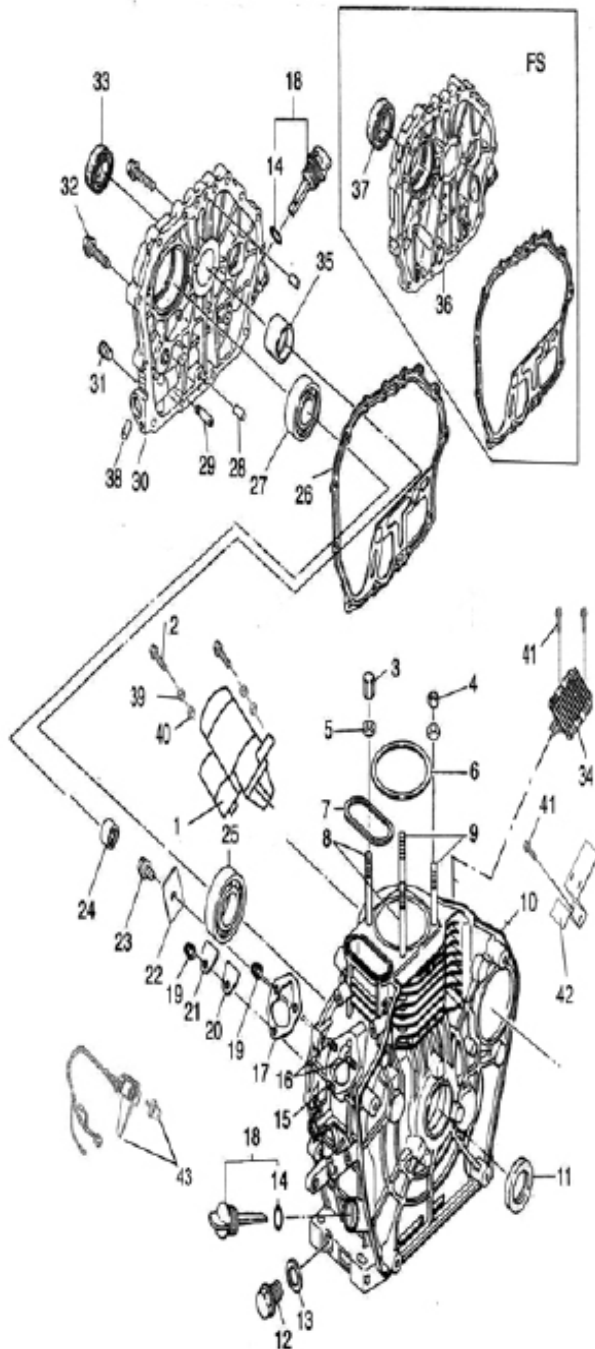
TRANSMISSION DIGRAM & PART LIST OF GP-5D-ICT

SL NO	PART NO	DESCRIPTION
17	GP-ICT-TF17	Bolts
18	GP-ICT-TF18	Washer
19	GP-ICT-TF19	Spring washer
20	GP-ICT-TF20	Nut
21	GP-ICT-TF21	Frame(R)
22	GP-ICT-TF22	Vice Dust cover(R)
23	GP-ICT-TF23	Bust cover (R)
24	GP-ICT-TF24	Frame, Dust cover (Back)
25	GP-ICT-TF25	Dust cover(L)
26	GP-ICT-TF26	Vice Dust cover(L)
27	GP-ICT-TF27	Frame(L)
28	GP-ICT-TF28	Bumper support
29	GP-ICT-TF29	Spring
30	GP-ICT-TF30	Falnge bolt
31	GP-ICT-TF31	Bumper comp
32	GP-ICT-TF32	Support frame, engine
33	GP-ICT-TF33	Bolts,

TRANSMISSION DIGRAM & PART LIST OF GP-5D-ICT

34	GP-ICT-TF34	Bolts,
35	GP-ICT-TF35	Dragging assy
36	GP-ICT-TF36	Pin with ring
37	GP-ICT-TF37	Clip
38	GP-ICT-TF38	Bolts
39	GP-ICT-TF39	Connection plate
40	GP-ICT-TF40	Connection frame
41	GP-ICT-TF41	Pin
42	GP-ICT-TF42	Clip
43	GP-ICT-TF43	Resistance rod
44	GP-ICT-TF44	Dry land blade comp(R)
45	GP-ICT-TF45	Dust protect cover
46	GP-ICT-TF46	Bolts
47	GP-ICT-TF47	Flange fix sheath
48	GP-ICT-TF48	Flange output axes
49	GP-ICT-TF49	Dry land blade comp(L)
50	GP-ICT-TF50	Pin
51	GP-ICT-TF51	Clip
52	GP-ICT-TF52	Flange bolt
53	GP-ICT-TF53	Flange bolt

ENGINE DIAGRAM & PART LIST OF GP-5D-ICT



ENGINE DIAGRAM & PART LIST OF GP-5D-ICT

SL NO	PART NO	DESCRIPTION
1	GP-5D-ICT-EA01	Start motor
2	GP-5D-ICT-EA02	Bolt
3	GP-5D-ICT-EA03	Cylinder head nuts (long)
4	GP-5D-ICT-EA04	Cylinder head nuts (short)
5	GP-5D-ICT-EA05	Cylinder head nut gasket
6	GP-5D-ICT-EA06	Cylinder head gasket
7	GP-5D-ICT-EA07	Rectangle ring gasket
8	GP-5D-ICT-EA08	Cylinder head bolts (long)
9	GP-5D-ICT-EA09	Cylinder head bolts (short)
10	GP-5D-ICT-EA10	Cylinder block
11	GP-5D-ICT-EA11	Rear oil seal
12	GP-5D-ICT-EA12	Oil drain plug
13	GP-5D-ICT-EA13	Oil drain plug gasket
14	GP-5D-ICT-EA14	O ring for oil dipstick
15	GP-5D-ICT-EA15	Fuel injection pump fastening bolt (short)
16	GP-5D-ICT-EA16	Fuel injection pump fastening bolt (long)
17	GP-5D-ICT-EA17	Fuel injector adjusting gasket

ENGINE DIAGRAM & PART LIST OF GP-5D-ICT

18	GP-5D-ICT-EA18	Oil dipstick
19	GP-5D-ICT-EA19	Heterotypic nut
20	GP-5D-ICT-EA20	Sealing plate gasket
21	GP-5D-ICT-EA21	Sealing plate
22	GP-5D-ICT-EA22	Thrust piece
23	GP-5D-ICT-EA23	bolts
24	GP-5D-ICT-EA24	Needle bearing
25	GP-5D-ICT-EA25	Ball bearing
26	GP-5D-ICT-EA26	Crankcase cover gasket
27	GP-5D-ICT-EA27	Bearing
28	GP-5D-ICT-EA28	Retaining pin
29	GP-5D-ICT-EA29	oil guide
30	GP-5D-ICT-EA30	Crankcase cover
31	GP-5D-ICT-EA31	Inner Hexagon Plug
32	GP-5D-ICT-EA32	Hexagon flange bolts
33	GP-5D-ICT-EA33	Front oil seal
34	GP-5D-ICT-EA34	Regulator
35	GP-5D-ICT-EA35	Main Bushing
36	GP-5D-ICT-EA36	Front side crankcase cover

ENGINE DIAGRAM & PART LIST OF GP-5D-ICT

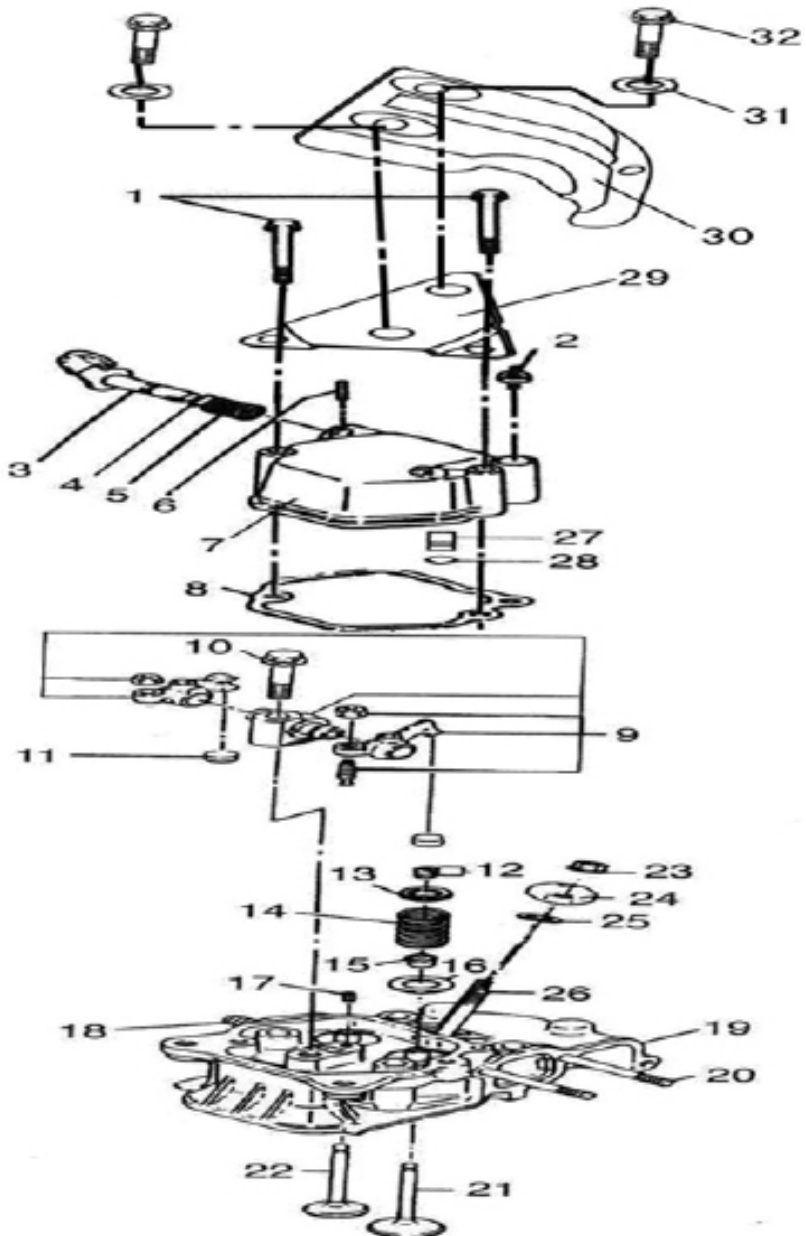
37	GP-5D-ICT-EA37	Front side oil seal
38	GP-5D-ICT-EA38	Aluminum Plug
39	GP-5D-ICT-EA39	flat washer
40	GP-5D-ICT-EA40	spring washer
41	GP-5D-ICT-EA41	Heterotypic bolt
42	GP-5D-ICT-EA42	Support of regulator
43	GP-5D-ICT-EA43	Start switch assembly



Green Panther
Naturally Powerful

ENGINE DIAGRAM & PART LIST OF GP-5D-ICT

Cylinder head

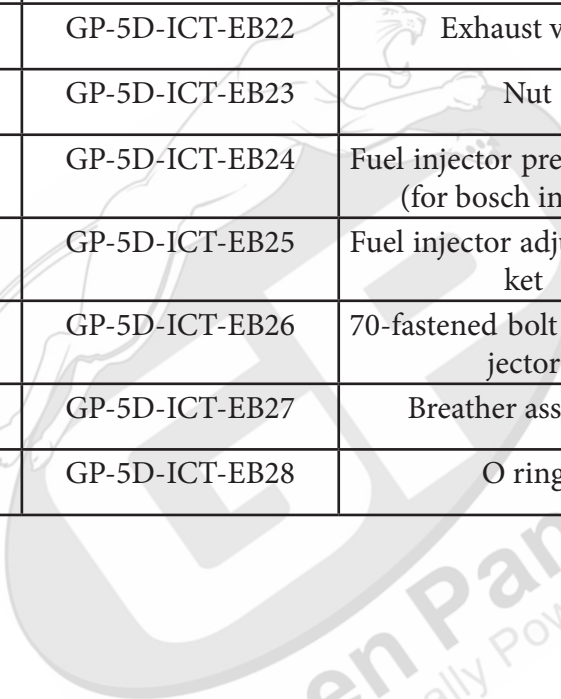


ENGINE DIAGRAM & PART LIST OF GP-5D-ICT

SL NO	PART NO	DESCRIPTION
1	GP-5D-ICT-EB01	Flanged Bolt
2	GP-5D-ICT-EB02	Oiling screw plug
3	GP-5D-ICT-EB03	Decompression shaft
4	GP-5D-ICT-EB04	O ring
5	GP-5D-ICT-EB05	Decompression shaft spring
6	GP-5D-ICT-EB06	Retaining pin
7	GP-5D-ICT-EB07	Cylinder head cover
8	GP-5D-ICT-EB08	Cylinder head cover gasket
9	GP-5D-ICT-EB09	Rocker arm
10	GP-5D-ICT-EB10	Rocker arm shaft fastening bolt
11	GP-5D-ICT-EB11	Adjusting valve spacer
12	GP-5D-ICT-EB12	Valve clip
13	GP-5D-ICT-EB13	Valve spring seat
14	GP-5D-ICT-EB14	Valve spring
15	GP-5D-ICT-EB15	GP-5D-ICT-EB15
16	GP-5D-ICT-EB16	Valve spring washer
17	GP-5D-ICT-EB17	GP-5D-ICT-EB17
18	GP-5D-ICT-EB18	Double ended stud

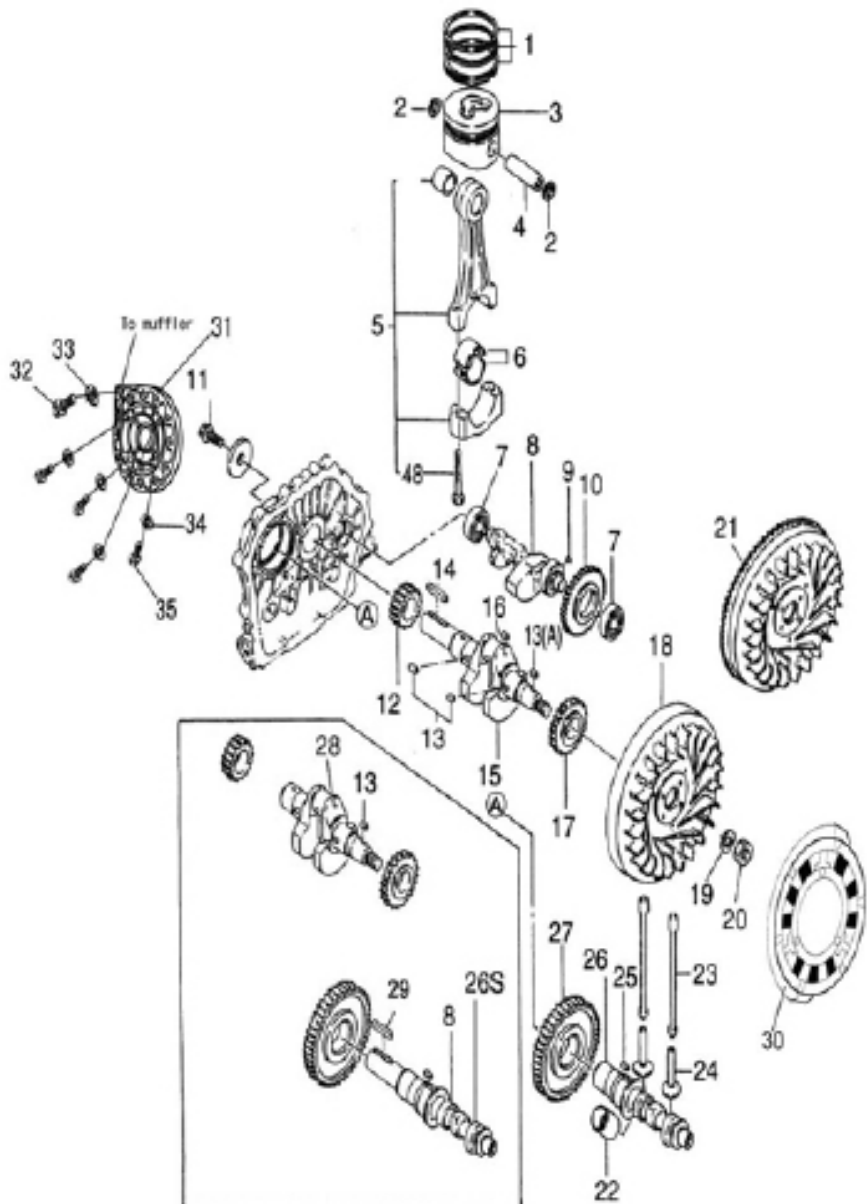
ENGINE DIAGRAM & PART LIST OF GP-5D-ICT

19	GP-5D-ICT-EB19	Cylinder Head
20	GP-5D-ICT-EB20	Double ended bolt
21	GP-5D-ICT-EB21	Intake valve
22	GP-5D-ICT-EB22	Exhaust valve
23	GP-5D-ICT-EB23	Nut
24	GP-5D-ICT-EB24	Fuel injector pressure plate (for bosch injector)
25	GP-5D-ICT-EB25	Fuel injector adjusting gas- ket
26	GP-5D-ICT-EB26	70-fastened bolt of fuel in- jector
27	GP-5D-ICT-EB27	Breather assembly
28	GP-5D-ICT-EB28	O ring


Green Panther
Naturally Powerful

ENGINE DIAGRAM & PART LIST OF GP-5D-ICT

CYLINDER HEAD

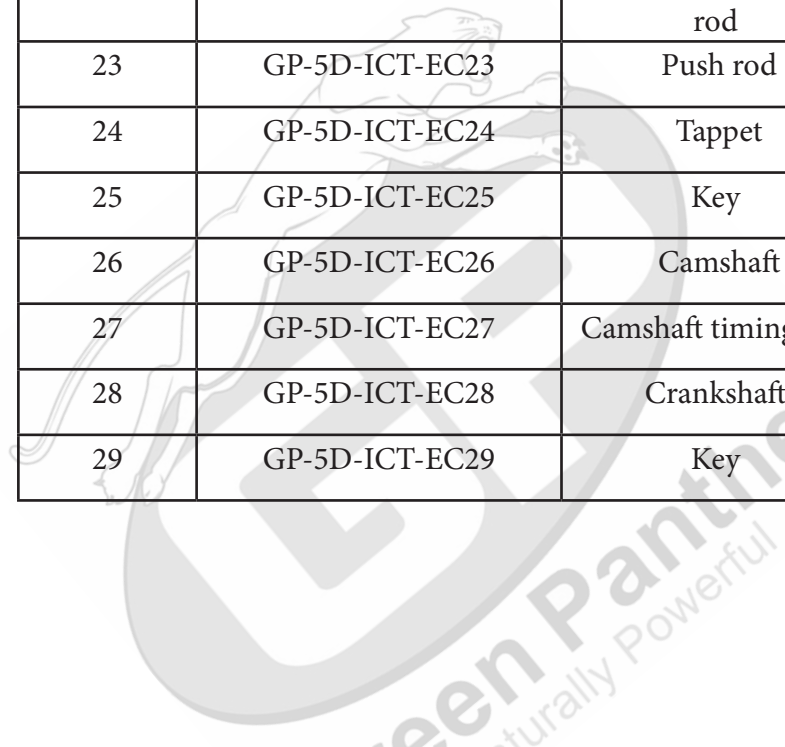


ENGINE DIAGRAM & PART LIST OF GP-5D-ICT

SL NO	PART NO	DESCRIPTION
1	GP-5D-ICT-EC01	Piston Ring group (standard)
2	GP-5D-ICT-EC02	Retainer clip of Piston pin
3	GP-5D-ICT-EC03	Piston
4	GP-5D-ICT-EC04	Piston pin
5	GP-5D-ICT-EC05	Connecting rod body
6	GP-5D-ICT-EC06	Connecting rod bush
7	GP-5D-ICT-EC07	Bearing
8	GP-5D-ICT-EC08	Balancing Shaft
9	GP-5D-ICT-EC09	Key
10	GP-5D-ICT-EC10	Balancing Shaft Timing Gear
11	GP-5D-ICT-EC11	Bolt
12	GP-5D-ICT-EC12	Crankshaft timing gear
13	GP-5D-ICT-EC13	Key
14	GP-5D-ICT-EC14	Key
15	GP-5D-ICT-EC15	Crankshaft
16	GP-5D-ICT-EC16	steel ball
17	GP-5D-ICT-EC17	Balancing Shaft Driving Gear
18	GP-5D-ICT-EC18	Flywheel

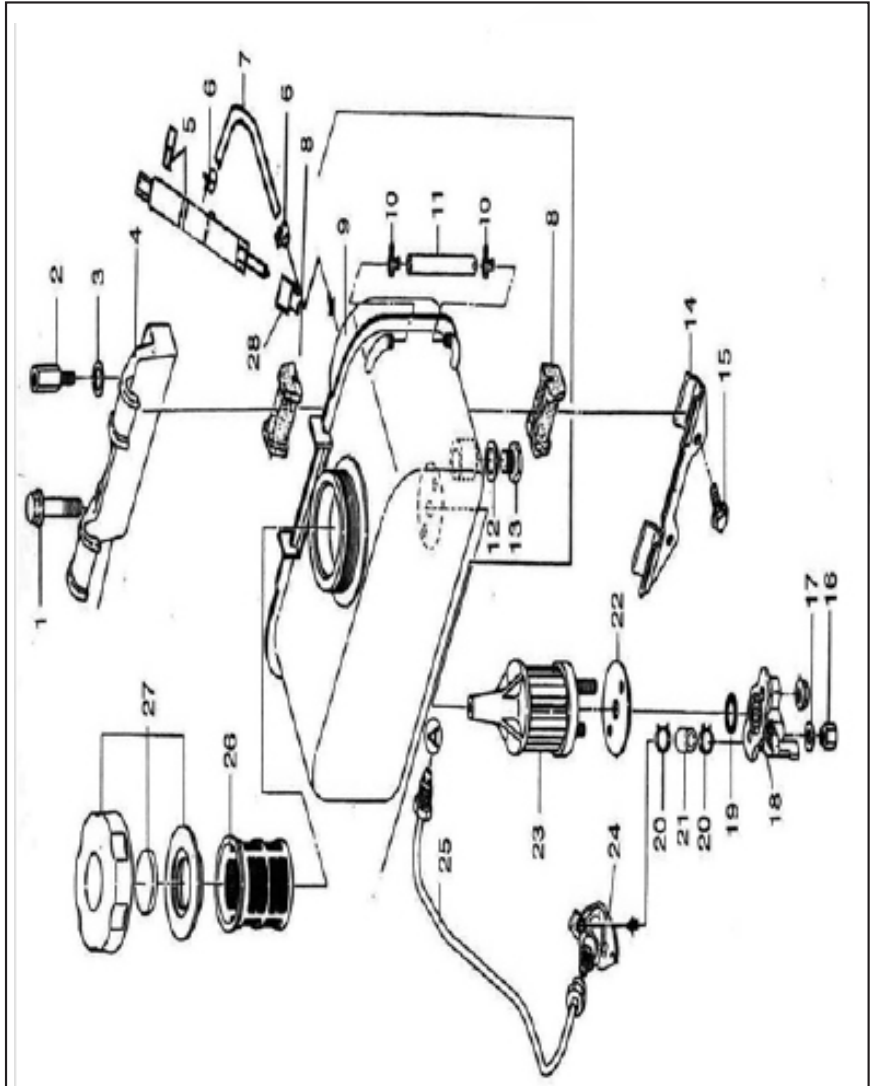
ENGINE DIAGRAM & PART LIST OF GP-5D-ICT

19	GP-5D-ICT-EC19	Flywheel nut gasket
20	GP-5D-ICT-EC20	flywheel Nut
21	GP-5D-ICT-EC21	Flywheel gear ring
22	GP-5D-ICT-EC22	Sleeve of fuel pump rod
23	GP-5D-ICT-EC23	Push rod
24	GP-5D-ICT-EC24	Tappet
25	GP-5D-ICT-EC25	Key
26	GP-5D-ICT-EC26	Camshaft
27	GP-5D-ICT-EC27	Camshaft timing gear
28	GP-5D-ICT-EC28	Crankshaft
29	GP-5D-ICT-EC29	Key


Green Panther
Naturally Powerful

ENGINE DIAGRAM & PART LIST OF GP-5D-ICT

FUEL TANK PARTS



ENGINE DIAGRAM & PART LIST OF GP-5D-ICT

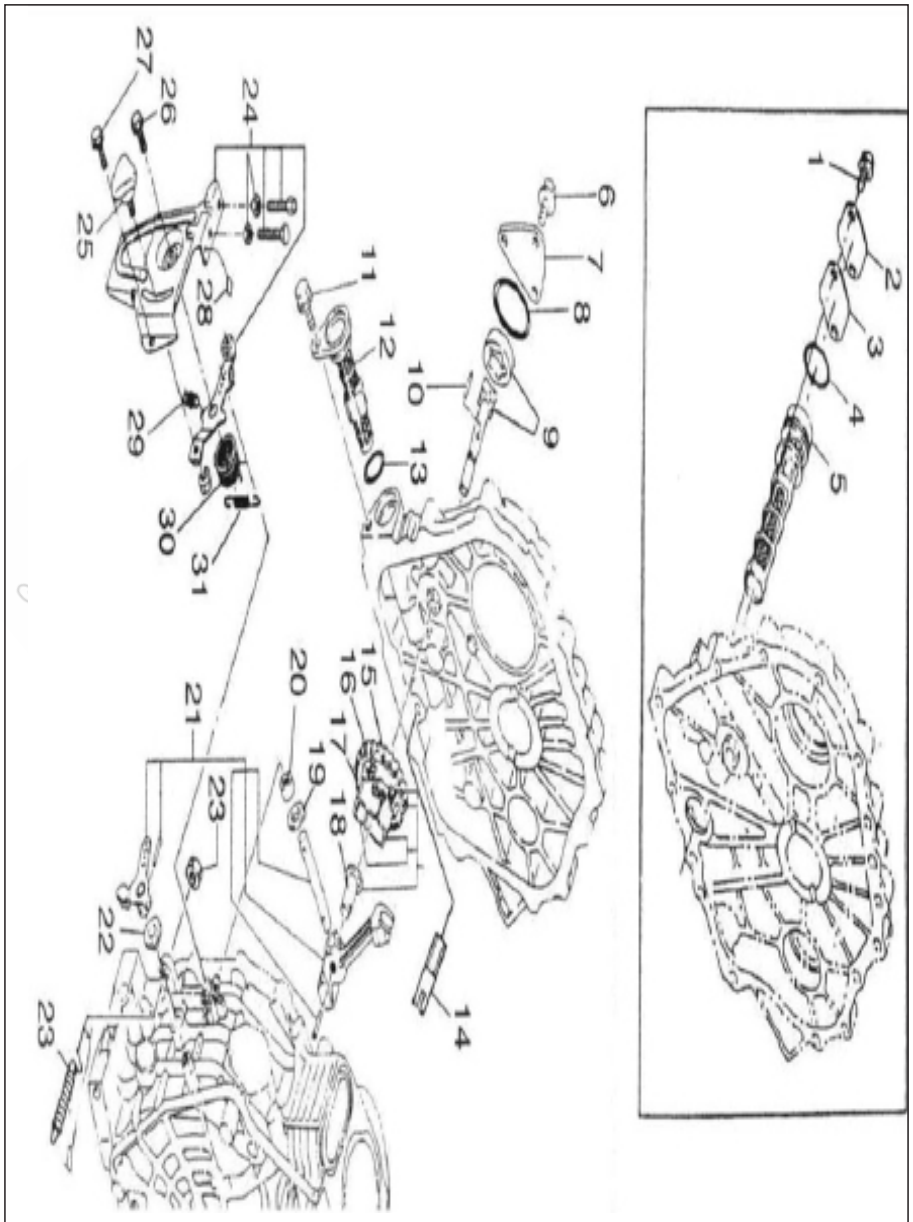
SL NO	PART NO	DESCRIPTION
1	GP-5D-ICT-ED01	Bolt
2	GP-5D-ICT-ED02	Upper fuel tank bracket fastening bolt
3	GP-5D-ICT-ED03	Flat washer
4	GP-5D-ICT-ED04	Upper fuel tank bracket
5	GP-5D-ICT-ED05	Injector(china type)
6	GP-5D-ICT-ED06	Fuel leak-off pipe connecting
7	GP-5D-ICT-ED07	Fuel leak-off Pipe
8	GP-5D-ICT-ED08	Shock absorbing pad of fuel tank
9	GP-5D-ICT-ED09	Fuel Tank
10	GP-5D-ICT-ED10	Fuel Pipe connecting
11	GP-5D-ICT-ED11	Fuel Pipe
12	GP-5D-ICT-ED12	Fuel drain gasket
13	GP-5D-ICT-ED13	Fuel drain plug(in the fuel tank)
14	GP-5D-ICT-ED14	Lower fuel tank bracket
15	GP-5D-ICT-ED15	Bolt
16	GP-5D-ICT-ED16	Nut
17	GP-5D-ICT-ED17	Flat washer
18	GP-5D-ICT-ED18	Fuel tank cock assembly

ENGINE DIAGRAM & PART LIST OF GP-5D-ICT

19	GP-5D-ICT-ED19	Gasket of fuel tank cock
20	GP-5D-ICT-ED20	Fuel pipe clamp
21	GP-5D-ICT-ED21	Fuel oil pipe
22	GP-5D-ICT-ED22	Fuel filter gasket
23	GP-5D-ICT-ED23	Fuel filter element
24	GP-5D-ICT-ED24	Fuel injector pump
25	GP-5D-ICT-ED25	High pressure fuel pipe (bosch injector)
26	GP-5D-ICT-ED26	Fuel oil filter
27	GP-5D-ICT-ED27	Fuel tank cap assembly
28	GP-5D-ICT-ED28	Fuel injector cap(china type only)

ENGINE DIAGRAM & PART LIST OF GP-5D-ICT

Lubrication and speed control system



ENGINE DIAGRAM & PART LIST OF GP-5D-ICT

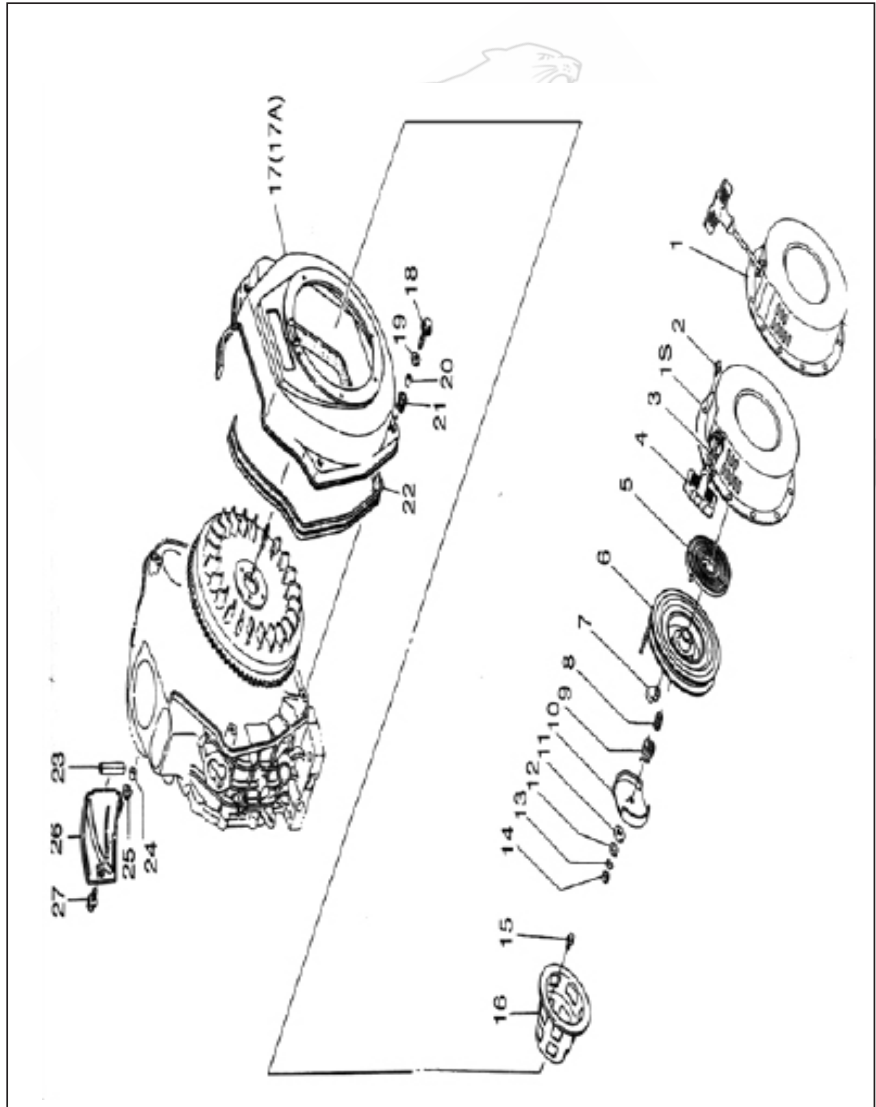
SL NO	PART NO	DESCRIPTION
1	GP-5D-ICT-EE01	Oil seal
2	GP-5D-ICT-EE02	Oil seal
3	GP-5D-ICT-EE03	Oil seal
4	GP-5D-ICT-EE04	Oil seal
5	GP-5D-ICT-EE05	Oil seal
6	GP-5D-ICT-EE06	Heterotypic Bolt
7	GP-5D-ICT-EE07	Oil pump cover
8	GP-5D-ICT-EE08	O ring
9	GP-5D-ICT-EE09	Oil Pump
10	GP-5D-ICT-EE10	pin
11	GP-5D-ICT-EE11	heterotypic Bolt
12	GP-5D-ICT-EE12	Oil filter cleaning element
13	GP-5D-ICT-EE13	Seal ring
14	GP-5D-ICT-EE14	Oil Guide
15	GP-5D-ICT-EE15	Oil pump driving gear
16	GP-5D-ICT-EE16	Fly block pin
17	GP-5D-ICT-EE17	Fly block
18	GP-5D-ICT-EE18	Governor fork tappet

ENGINE DIAGRAM & PART LIST OF GP-5D-ICT

19	GP-5D-ICT-EE19	Lever shaft gasket
20	GP-5D-ICT-EE20	Bearing
21	GP-5D-ICT-EE21	Fork lever assembly
22	GP-5D-ICT-EE22	Washer
23	GP-5D-ICT-EE23	Fuel controller
24	GP-5D-ICT-EE24	Handle bracket
25	GP-5D-ICT-EE25	Speed-control lever
26	GP-5D-ICT-EE26	Heterotypic Bolt
27	GP-5D-ICT-EE27	Heterotypic Bolt
28	GP-5D-ICT-EE28	included in the handel assembly,could not supply separately
29	GP-5D-ICT-EE29	Return spring
30	GP-5D-ICT-EE30	Return spring
31	GP-5D-ICT-EE31	Speed-control spring

ENGINE DIAGRAM & PART LIST OF GP-5D-ICT

Cooling and recoil starting system.

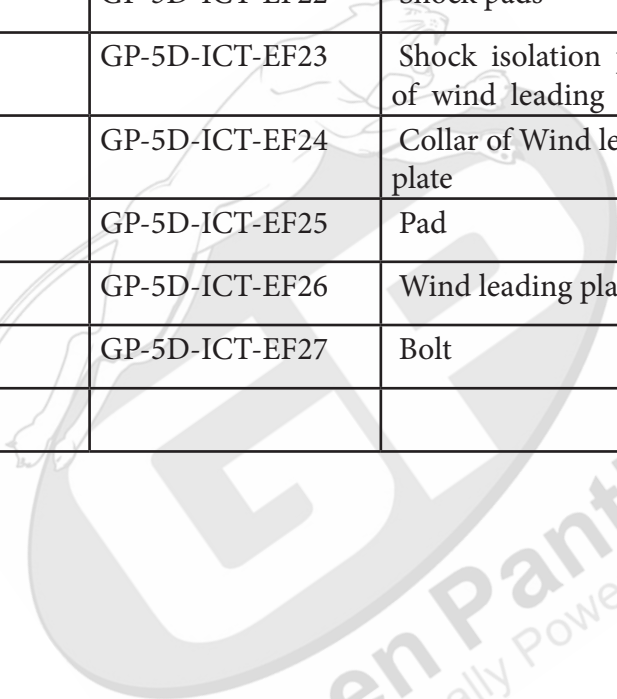


ENGINE DIAGRAM & PART LIST OF GP-5D-ICT

SL NO	PART NO	DESCRIPTION
1	GP-5D-ICT-EF01	Recoil case assembly
2	GP-5D-ICT-EF02	Bolt
3	GP-5D-ICT-EF03	Recoil starter rope
4	GP-5D-ICT-EF04	Recoil starter handle
5	GP-5D-ICT-EF05	Flat spiracle spring
6	GP-5D-ICT-EF06	Recoil reel
7	GP-5D-ICT-EF07	Starting claw
8	GP-5D-ICT-EF08	Helical spring
9	GP-5D-ICT-EF09	Torsional spring
10	GP-5D-ICT-EF10	Starting claw plate
11	GP-5D-ICT-EF11	Friction plate
12	GP-5D-ICT-EF12	Friction plate gasket
13	GP-5D-ICT-EF13	Spring washer
14	GP-5D-ICT-EF14	Nut
15	GP-5D-ICT-EF15	Bolt
16	GP-5D-ICT-EF16	Starter
17	GP-5D-ICT-EF17	Wind leading case welded
18	GP-5D-ICT-EF18	Bolt
19	GP-5D-ICT-EF19	washer

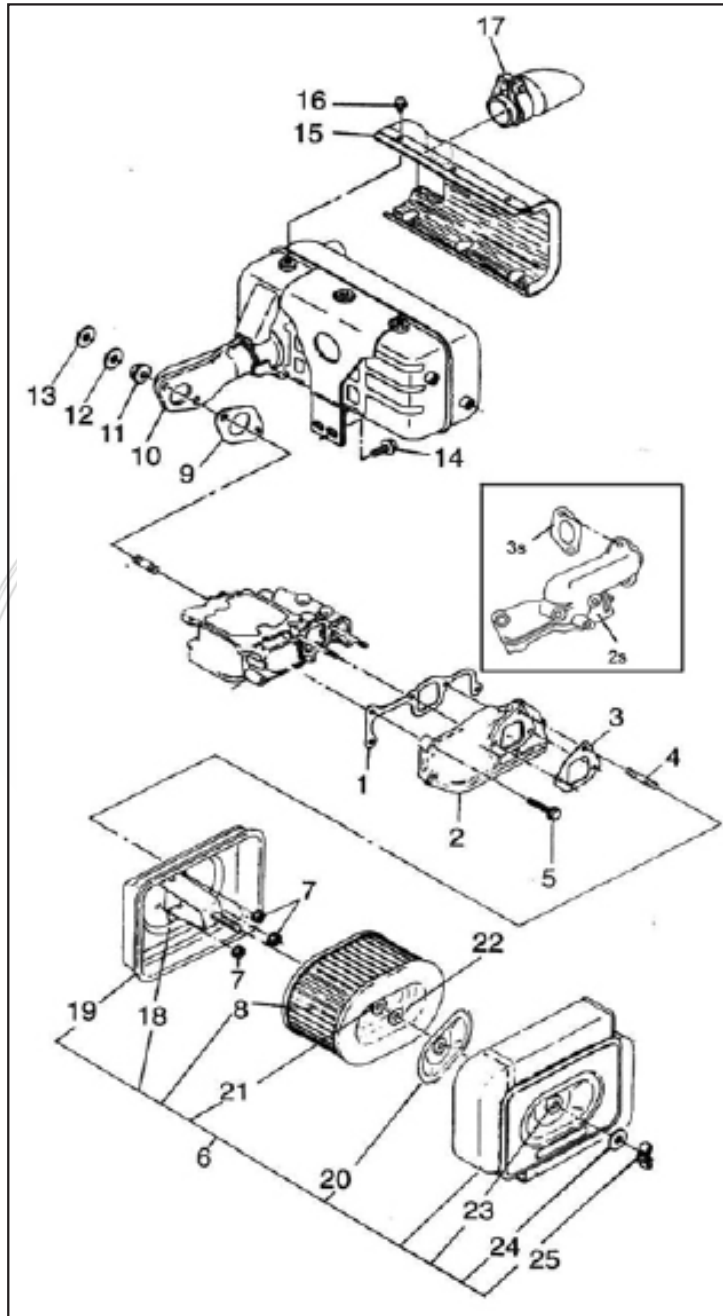
ENGINE DIAGRAM & PART LIST OF GP-5D-ICT

20	GP-5D-ICT-EF20	Collar of Wind leading case welded
21	GP-5D-ICT-EF21	Shock absorber
22	GP-5D-ICT-EF22	Shock pads
23	GP-5D-ICT-EF23	Shock isolation piece of wind leading plate
24	GP-5D-ICT-EF24	Collar of Wind leading plate
25	GP-5D-ICT-EF25	Pad
26	GP-5D-ICT-EF26	Wind leading plate
27	GP-5D-ICT-EF27	Bolt


Green Panther
Naturally Powerful

ENGINE DIAGRAM & PART LIST OF GP-5D-ICT

SUB PART OF ENGINE



ENGINE DIAGRAM & PART LIST OF GP-5D-ICT

SL NO	PART NO	DESCRIPTION
1	GP-5D-ICT-EG01	Intake pipe gasket
2	GP-5D-ICT-EG02	Intake pipe
3	GP-5D-ICT-EG03	Air cleaner gasket
4	GP-5D-ICT-EG04	fasten bolt for air cleaner
5	GP-5D-ICT-EG05	Heterotypic bolt
6	GP-5D-ICT-EG06	Air filter assembly
7	GP-5D-ICT-EG07	Heterotypic Nut
8	GP-5D-ICT-EG08	Air filter element
9	GP-5D-ICT-EG09	Muffler gasket
10	GP-5D-ICT-EG10	Muffler assembly
11	GP-5D-ICT-EG11	Flat washer
12	GP-5D-ICT-EG12	Spring washer
13	GP-5D-ICT-EG13	Nut
14	GP-5D-ICT-EG14	heterotypic Bolt
15	GP-5D-ICT-EG15	Muffler screen cover
16	GP-5D-ICT-EG16	Bolt
17	GP-5D-ICT-EG17	Muffler tail pipe
18	GP-5D-ICT-EG18	Sealing ring II of shock proof

ENGINE DIAGRAM & PART LIST OF GP-5D-ICT

19	GP-5D-ICT-EG19	Bottom case assembly of Air Cleaner
20	GP-5D-ICT-EG20	Sealing ring II of shock proof
21	GP-5D-ICT-EG21	Air filter shock absorber
22	GP-5D-ICT-EG22	Heterotypic nut
23	GP-5D-ICT-EG23	NA
24	GP-5D-ICT-EG24	Washer
25	GP-5D-ICT-EG25	butterfly nut



Green Panther
Naturally Powerful

1st Free Service Coupon

ISO 9001-2015
CERTIFIED COMPANY

FREE SERVICE COUPON (30 Days / 30 hrs (Which ever is earlier))

Model
GP-5D-ICT INTERCULTIVATOR/POWER WEEDER

Serial Number

PDI Date

Service No.

Purchase bill no. Date

Dealer's Office Seal & Signature

Customer Signature.....

Conditions: Operations listed have been performed to my entire satisfaction without any labour charges. Only consumables were charged.

WARRANTY AND FREE SERVICE COUPON

agriculture | horticulture | sericulture | plantations | forest | garden | healthcare

2nd Free Service Coupon

ISO 9001-2015
CERTIFIED COMPANY

FREE SERVICE COUPON (60 Days / 60 hrs (Which ever is earlier))

Model
GP-5D-ICT INTERCULTIVATOR/POWER WEEDER

Serial Number

PDI Date

Service No.

Purchase bill no. Date

Dealer's Office Seal & Signature

Customer Signature.....

Conditions: Operations listed have been performed to my entire satisfaction without any labour charges. Only consumables were charged.

WARRANTY AND FREE SERVICE COUPON

agriculture | horticulture | sericulture | plantations | forest | garden | healthcare

3rd Free Service Coupon

ISO 9001-2015
CERTIFIED COMPANY

FREE SERVICE COUPON (90 Days / 120 hrs (Which ever is earlier))

Model
GP-5D-ICT INTERCULTIVATOR/POWER WEEDER

Serial Number

PDI Date

Service No.

Purchase bill no. Date

Dealer's Office Seal & Signature

Customer Signature.....

Conditions: Operations listed have been performed to my entire satisfaction without any labour charges. Only consumables were charged.

WARRANTY AND FREE SERVICE COUPON

agriculture | horticulture | sericulture | plantations | forest | garden | healthcare

1. **LIMITED WARRANTY PERIOD** : For a period of six months from the date of Sale / delivery of the product which ever is earlier. 2. **LIMITED WARRANTY OBLIGATION** : Replacement of defective part(s) by authorized dealer are free of charges. If found defective by reasons of defective material / poor workmanship, parts will be replaced and there will be no value re-imbusement. 3. **TERMS & CONDITIONS** : a. Claims under warranty will be accepted on submission of Warranty Card duly filled and stamped by authorized dealer together with the original purchase document. : b. Shipping / transportation / Incidental charges incurred in replacing defective parts under warranty shall be borne by the purchaser.

WARRANTY null & void if

- (i) Lack of maintenance, (ii) Incorrect use of the machine or tampering, (iii) Use of non-genuine spare parts, (iv) Usage of acids, solvents, or any flammable materials, (v) Non-usage of filter water / clear water / soft water & using water above 40°C temperature, (vi) While using the pressure washers to draw water which is contaminated with dust & solvents (eg. paint thinners, gasoline, oil, etc.), (vii) Repair done by unauthorized service people, (viii) Those parts subject to wear & tear due to normal operations and plastic parts, rubber items etc, (ix) Loose connections, faulty electrical fixtures & fluctuations in power supply.
4. Should any failure occur during or after the warranty period, customer does not have the right to interrupt payment / price discount.
5. Incidental or consequential damages like inconvenience commercial loss, loss of tie, mental agony etc.
6. Loss of any nature due to operation or non-operation is not covered under warranty.
7. All free service are at Dealer's service point only.
8. Warranty ceases if service is not done periodically.
9. The attached card should be completed and returned to Ratnagiri Impex Pvt. Ltd. for registration immediately after sale / delivery.
10. The warranty is void unless you register the warranty card with Ratnagiri Impex Pvt. Ltd.
11. The decision of Ratnagiri Impex Pvt. Ltd., in settling the warranty is final in all respects.
12. All disputes are subject to Bangalore Courts Jurisdiction

-
1. **LIMITED WARRANTY PERIOD** : For a period of six months from the date of Sale / delivery of the product which ever is earlier. 2. **LIMITED WARRANTY OBLIGATION** : Replacement of defective part(s) by authorized dealer are free of charges. If found defective by reasons of defective material / poor workmanship, parts will be replaced and there will be no value re-imbusement. 3. **TERMS & CONDITIONS** : a. Claims under warranty will be accepted on submission of Warranty Card duly filled and stamped by authorized dealer together with the original purchase document. : b. Shipping / transportation / Incidental charges incurred in replacing defective parts under warranty shall be borne by the purchaser.

WARRANTY null & void if

- (i) Lack of maintenance, (ii) Incorrect use of the machine or tampering, (iii) Use of non-genuine spare parts, (iv) Usage of acids, solvents, or any flammable materials, (v) Non-usage of filter water / clear water / soft water & using water above 40°C temperature, (vi) While using the pressure washers to draw water which is contaminated with dust & solvents (eg. paint thinners, gasoline, oil, etc.), (vii) Repair done by unauthorized service people, (viii) Those parts subject to wear & tear due to normal operations and plastic parts, rubber items etc, (ix) Loose connections, faulty electrical fixtures & fluctuations in power supply.
4. Should any failure occur during or after the warranty period, customer does not have the right to interrupt payment / price discount.
5. Incidental or consequential damages like inconvenience commercial loss, loss of tie, mental agony etc.
6. Loss of any nature due to operation or non-operation is not covered under warranty.
7. All free service are at Dealer's service point only.
8. Warranty ceases if service is not done periodically.
9. The attached card should be completed and returned to Ratnagiri Impex Pvt. Ltd. for registration immediately after sale / delivery.
10. The warranty is void unless you register the warranty card with Ratnagiri Impex Pvt. Ltd.
11. The decision of Ratnagiri Impex Pvt. Ltd., in settling the warranty is final in all respects.
12. All disputes are subject to Bangalore Courts Jurisdiction

-
1. **LIMITED WARRANTY PERIOD** : For a period of six months from the date of Sale / delivery of the product which ever is earlier. 2. **LIMITED WARRANTY OBLIGATION** : Replacement of defective part(s) by authorized dealer are free of charges. If found defective by reasons of defective material / poor workmanship, parts will be replaced and there will be no value re-imbusement. 3. **TERMS & CONDITIONS** : a. Claims under warranty will be accepted on submission of Warranty Card duly filled and stamped by authorized dealer together with the original purchase document. : b. Shipping / transportation / Incidental charges incurred in replacing defective parts under warranty shall be borne by the purchaser.

WARRANTY null & void if

- (i) Lack of maintenance, (ii) Incorrect use of the machine or tampering, (iii) Use of non-genuine spare parts, (iv) Usage of acids, solvents, or any flammable materials, (v) Non-usage of filter water / clear water / soft water & using water above 40°C temperature, (vi) While using the pressure washers to draw water which is contaminated with dust & solvents (eg. paint thinners, gasoline, oil, etc.), (vii) Repair done by unauthorized service people, (viii) Those parts subject to wear & tear due to normal operations and plastic parts, rubber items etc, (ix) Loose connections, faulty electrical fixtures & fluctuations in power supply.
4. Should any failure occur during or after the warranty period, customer does not have the right to interrupt payment / price discount.
5. Incidental or consequential damages like inconvenience commercial loss, loss of tie, mental agony etc.
6. Loss of any nature due to operation or non-operation is not covered under warranty.
7. All free service are at Dealer's service point only.
8. Warranty ceases if service is not done periodically.
9. The attached card should be completed and returned to Ratnagiri Impex Pvt. Ltd. for registration immediately after sale / delivery.
10. The warranty is void unless you register the warranty card with Ratnagiri Impex Pvt. Ltd.
11. The decision of Ratnagiri Impex Pvt. Ltd., in settling the warranty is final in all respects.
12. All disputes are subject to Bangalore Courts Jurisdiction

Warranty Card

CUSTOMER COPY



Purchaser's Name & Address

Date of Delivery

Product Name

GP-5D-ICT INTERCULTIVATOR/POWER WEEDER

Dealer's Office Seal

Product Serial No.

Dealer Sign _____

Customer Sign. _____

Invoice / DN No.

I/We accept the terms and conditions of Warranty as in the Warranty Card.

Warranty Card

DEALER'S COPY

Purchaser's Name & Address

Date of Delivery

Product Name

GP-5D-ICT INTERCULTIVATOR/POWER WEEDER

Dealer's Office Seal

Product Serial No.

Dealer Sign _____

Customer Sign. _____

Invoice / DN No.

I/We accept the terms and conditions of Warranty as in the Warranty Card.

Warranty Card

COMPANY COPY

Purchaser's Name & Address

Date of Delivery

Product Name

GP-5D-ICT INTERCULTIVATOR/POWER WEEDER

Dealer's Office Seal

Product Serial No.

Dealer Sign _____

Customer Sign. _____

Invoice / DN No.

I/We accept the terms and conditions of Warranty as in the Warranty Card.

Do's & Don'ts

- Always read the instruction manual supplied along with the equipments and understand the correct installation and operating procedures before attempting to use the equipments.
- It is important to use the personal protection equipments such as head helmet with visor, ear defenders, goggles, safety gloves, cut resistant shoes, trousers and jackets while operating potentially dangerous machines.
- Avoid untrained persons using the equipments. Children must not be allowed to handle these equipments.
- Always use genuine spares and accessories in repairs and usage to derive maximum life of the equipments.
- Always keep the equipments in good working condition to minimise loss of output as well as to reduce the pollution and save the environment.
- Do not use the machine within range of persons unless they wear protective clothing.
- Do not operate the machine when fatigued or under the influence of alcohol or drugs.
- For more query kindly contact for our Service Center/Dealer/ franchise



Green Panther
Naturally Powerful

GREEN PANTHER

GP-5D-ICT

INTERCULTIVATOR/POWER WEEDER

Imported & Marketed by:
RATNAGIRI IMPEX PVT LTD
Annapurna House, #1/1G, 7th Cross, New Guddadahalli
Mysore Road, Bangalore-560 026
Customer Care: 1800-425-3036
email: info@ratnagiriimpex.com



Marketed by:
**ratnagiri
impex**
BRINGING YOU THE FUTURE... NOW

www.ratnagiriimpex.com

AN ISO 9001:2015 CERTIFIED COMPANY