



Green Panther
Naturally Powerful

GPEA-2MO-196L **Two Men Earth Auger**



User Manual



Fuel Efficient
196cc Powerful Engine



To cover large area
in less time



Multi-Purpose Professional
Lawn Mower

Note: Please read the following instructions before use. This book contains important information on SAFETY, ASSEMBLY, OPERATION & DISCLAIMER: DUE TO CONSTANT UPGRADATION, FEATURES AND SPECIFICATIONS ARE SUBJECT TO CHANGE WITHOUT NOTICE

MANUAL CONTENTS

Page No.

Introduction 3

Safety instructions 4

Maintenance and Storage 11

Service, Troubleshooting and Repair 12

Powerhead and Auger Parts Diagram..... 14

Powerhead and Auger Part List 15

Powerhead and Auger Engine Parts Diagram..... 17

Powerhead and Auger Engine Part List 18



REGISTRATION AND WARRANTY

THANK YOU . . .

For purchasing the Earth Auger Powerhead, We guarantee that this powerhead conforms to safety standards for usability and durability. With proper care, your Powerhead/Auger will provide many years of service.

Please take the time to read this manual carefully to learn how to correctly operate and maintain your powerhead/auger. Congratulations on your investment in quality.

MODEL IDENTIFICATION

Your earth auger powerhead has a model/serial number decal located on the side of the engine near the muffler. Engine serial number is located on the top plate of the muffler guard. Write these numbers and the model number in the space provided. You will need these numbers if you order parts.

Model Number

Serial Number

Engine Serial Number

Date of Purchase

Place of Purchase




SAFETY INSTRUCTIONS

OWNER'S RESPONSIBILITY

Accurate assembly and safe and effective use of the earth auger unit is the owner's responsibility.

1. Read and follow all safety instructions.
2. Carefully follow all assembly instructions.
3. Maintain the earth auger unit according to directions and schedule included.
4. Ensure that anyone who uses the earth auger unit is familiar with all controls and safety precautions.

	CAUTION
	Indicates A Situation which May Cause Personal Injury Or Damage To The Earth Auger Unit Or Property

IMPORTANT
Provides Helpful Information For Proper Assembly, Operation, Or Maintenance Of Your Earth Auger Unit.

CAUTIONS AND IMPORTANT NOTES

Two symbols which draw attention to information of special interest appear throughout this manual. These comments range in importance from helpful hints to warnings about risk of personal injury. Please take the time to read and understand them.

IMPORTANT SAFETY PRECAUTIONS

Operate earth auger unit according to safety instructions and recommendations outlined here and in statted throughout the text. Make sure anyone who uses the earth auger unit has read the instructions and is familiar with the controls.



This symbol points out important safety instructions which if not followed could endanger your personal safety. Read and follow all instructions in this manual and any others provided with this equipment.

1. The earth blade is very sharp. Use extreme caution when drilling a hole or replacing the blade.
2. Do not carry the earth auger unit between holes with the engine running.
3. The auger should not rotate when the engine is idling.
4. Always keep hands and feet clear of rotating auger.
5. Do not wear loose clothing while operating the earth auger unit.
6. Do not allow children to operate this earth auger unit. Do not operate the earth auger unit without proper instruction.
7. Do not operate any power equipment under the influence of alcohol or drugs.



REGISTRATION FORM



Complete and return Warranty Card. Your powerhead has a model/serial number decal located on the muffler side of the engine. Record this number and the model number in the space provided on page 2 of this manual. You will need these numbers if you order parts.

SPARK PLUG INSTALLATION

If your powerhead does not have the spark plug already installed for you. You will have to install it following the instructions given below.

1. Locate the spark plug in the parts packet.
2. With powerhead laying on side labeled "THIS SIDE UP WHEN NOT IN USE," place spark plug in spark plug hole.

NOTE: A resistor spark plug must be used for replacement.

3. Turn by hand until snug.
4. Use a wrench or socket to tighten to 180 inch-pounds of torque. **DO NOT OVERTIGHTENED.**

OPERATION

1. Read manual and follow instructions for fuel type, starting, etc.
2. The clutch will transfer maximum power after about two hours of normal operation. During this break-in period clutch slippage may occur. The clutch should be kept free of oil or other moisture for efficient operation. Each powerhead is tested at the factory, but is not operated for the full break-in period.
3. The earth auger unit should be operated no more than 20 degrees in any direction during continuous use and limited to 30 degrees intermittently. Recommended for adequate lubrication and fuel delivery.
4. When digging in heavy soil, pump the earth auger unit with an up and down motion in the hole for every one foot of depth.
5. Never run engine indoors. Exhaust fumes are deadly.
6. Do not use an earth auger in ice.

PRE-START CHECKLIST

1. Read and understand the engine manual and operator's manual that came with your unit.
2. Fill oil sump or check oil level. Check oil level often during engine break-in.
3. Fill fuel tank. Use unleaded, regular gasoline.
4. Be sure spark plug wire is attached to spark plug.



PETROL AND OIL

Quality

To operate the engine, we recommend Pure 90 octane Petrol only. To ensure that the engine operates correctly throughout the life of the engine. Use 20W - 40 engine oil.

The EARTH AUGER is shipped **WITHOUT OIL IN THE ENGINE**

Working on a level surface,tip the earth auger on its carrying handlebar as shown.

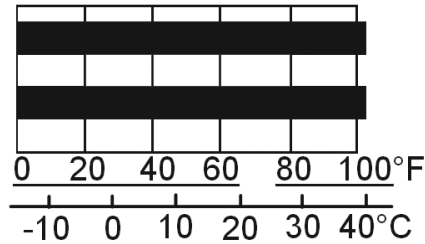
Oil Recommendations

Oil is a major factor affecting performance and service life. Use 4-stroke automotive detergent oil.

SAE 20W - 40 is recommended for general use.

NOTE:

Using non detergent oil can shorten the engine's service life,and using 2-stroke oil can damage the engine.

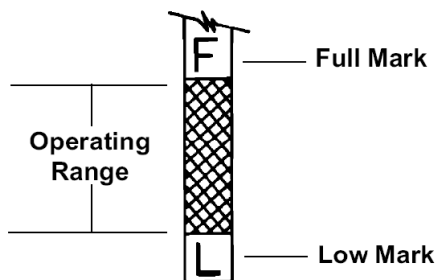
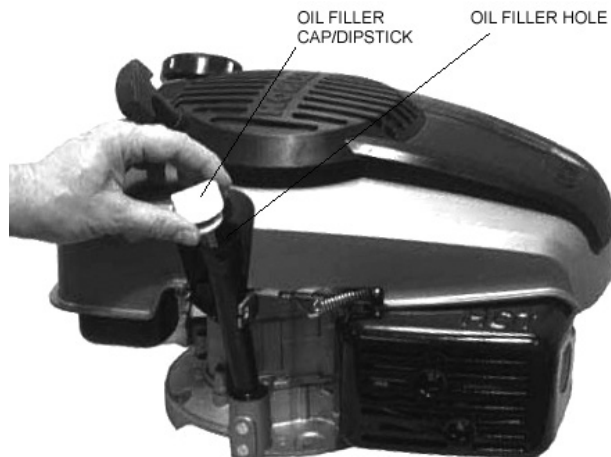


Oil Level Check

Check the engine oil level before each use,or every 10 hours if operated continuously. Rest the earth auger on a level surface with the engine stopped.

1. Tip the earth auger on its carry handlebar as shown.
2. Remove the oil filler cap/dipstick and wipe it clean.
3. Insert and remove the dipstick without screwing it into the filler opening. Check the oil level shown on the dipstick.
4. If the oil level is low,fill to the edge of the oil filler hole with the recommended oil. Avoid overfilling or under filling, as the oil capacity is small. Be sure the engine is in a level position, as shown. NOTE: Running the engine with a low oil level can cause engine damage. This type of damage is not covered by the DISTRIBUTOR'S LIMITED WARRANTY.
5. Screw in the filler cap/dipstick securely.





Oil Change

Drain the used oil while the engine is warm. Warm oil drains quickly and completely.

1. Place a suitable container below the engine to catch the used oil.
2. Remove the oil filler cap/dipstick.
3. Drain the used oil through the oil filler opening. Allow the used oil to drain completely.

Please dispose of used motor oil in a manner that is compatible with the environment. We suggest you take used oil in a sealed container to your local recycling center or service station for reclamation. Do not throw it in the trash, pour it on the ground, or pour it down a drain.

CAUTION

Never store engine with fuel in the tank indoors. Fuel and fuel vapors are highly flammable.



An adult must always handle and fill the engine with fuel.

Always handle gas in a well ventilated area, outdoors, away from flames or sparks.

Do not start engine if fuel is spilled. Wipe off excess fuel and allow to dry. Remove engine from area to avoid sparks.

IMPORTANT


THIS ENGINE USES PETROL ONLY!



4. With the engine resting on the carrying handlebar on a level surface, fill with the recommended oil to the edge of the oil filler hole. Do not overfill.
5. Screw in the filler cap/dipstick securely.

Filling Fuel Tank

1. Shut-off engine and allow engine to completely cool before refilling the fuel tank.
2. Move to a well ventilated area, outdoors, away from flames and sparks.
3. Clean debris from area around the fuel cap.
4. Loosen fuel cap slowly. Place the cap on a clean, dry surface.
5. Carefully add fuel without spilling.
6. Do not fill Petrol tank completely full, allow space for fuel to expand.
7. Immediately replace fuel cap and tighten. Wipe off spilled fuel and allow to dry before starting engine.

CAUTION	
	<p>Never add Petrol when engine is running or hot from operation. Never fill the tank indoors.</p> <p>Do not smoke when filling fuel tank.</p> <p>Never fill fuel tank completely. Fill tank to 1/2" below bottom of filler neck to provide space for fuel expansion. Wipe any fuel spillage from engine and equipment before starting engine.</p> <p>Do not hold throttle lever wide open while starting. Loss of control of powerhead/ auger could result.</p> <p>Never run engine indoors or in enclosed, poorly ventilated areas. Engine exhaust contains carbon monoxide, an odorless and deadly gas.</p> <p>Keep hands, feet, hair and loose clothing away from any moving parts on engine and equipment.</p> <p>Temperature of muffler and near by areas may exceed 150° f. Avoid these areas.</p> <p>Before to ring unit, disconnect spark plug wire from spark plug and attach it to retaining post.</p> <p>Never store engine with fuel in tank indoors or in enclosed, poorly ventilated areas, where fuel fumes may reach an open flame, spark or pilot light.</p>

NORMAL OPERATION

1. The clutch will transfer maximum power after about two hours of normal operation. During this break-in period clutch slippage may occur. The clutch should be kept free of oil and other moisture for efficient operation.
2. Cultivate without placing excessive body weight on the unit. The mini cultivator operates most efficiently with the weight of the unit itself.
3. Never run engine indoors. Exhaust fumes are deadly.

IMPORTANT
<p>NEVER MIX OIL WITH PETROL.</p>



STARTING AND STOPPING ENGINE

- Move engine to a well ventilated area, outdoors, to prevent carbon monoxide poisoning.
- Move to an area away from flames or sparks, to avoid ignition of vapors if present.
- Remove all debris from air cleaner holes and fuel tank cover to ensure proper air flow.

STARTING

To Start Engine:

1. Open fuel shut-off valve.
2. Flip the on/off switch to on position.
3. Grasp starter handle and pull rope out, slowly, until it pulls slightly harder. Let rope rewind slowly. Then pull rope with a rapid full arm stroke. Let rope return to starter slowly.

To Stop Engine:

1. Flip the on/off switch to the off position.
2. Close fuel shut-off valve

NOTE: This EARTH AUGER engine adopts automatic choke, will open or close the choke valve automatically according to the environment and the temperature of the engine, when the engine start is successful, the choke valve will automatically open.

STEPS FOR CLEANING AIR FILTER

Optional Foam Precleaner maintenance:

To run a year or every 25 hours cleaning or replacement of the Optional Foam Precleaner, In the mud or dust more cases, Shorter replacement, Please according to the following instructions to maintain.

1. Counterclockwise rotation knob, Open the air cleaner cover

(Figure 1);

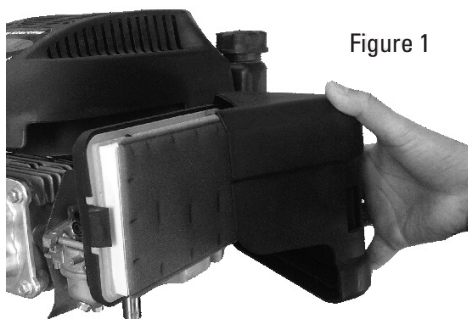


Figure 1



2. Remove the Optional Foam Precleaner, in warm water, clean with cleaning agent;
3. Thoroughly rinse clean the Optional Foam Precleaner, until all the cleaning agent to remove, hand squeeze out excess water (Don't throw),then let the strainer;
4. Reinstall the Optional Foam Precleaner;
5. Reinstall the Air Cleaner Cover, and then fixed knob.

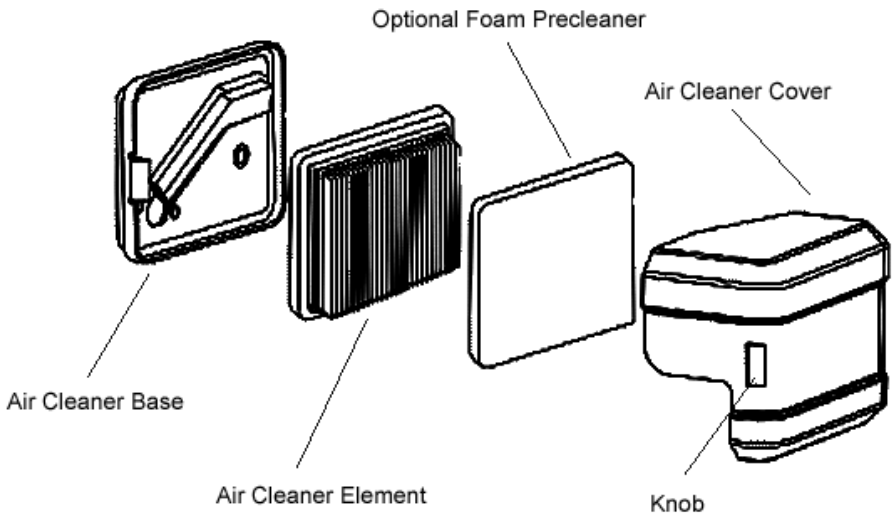
Air Cleaner Element maintenance:

To run every 25 hours Need to check whether there is no dust, whether there is loose or damaged parts,In the mud or dust very much, inspection cycle to shorten,Each run for a year or 100 hours,The Air Cleaner Element must be replaced.

1. Counterclockwise rotation knob,Open the air cleaner cover

(Figure 1);


2. Remove the Optional Foam Precleaner and Air Cleaner Element; NOTE: Please do not use water to clean the Air Cleaner Element, also do not use compressed air blowing, because this can damage the Air Cleaner Element.
3. If the Air Cleaner Element is dirty, please replace with new.
4. Reinstall the Optional Foam Precleaner;
5. Reinstall the Air Cleaner Cover, and then fixed knob.



MAINTENANCE AND STORAGE

MAINTENANCE AND STORAGE SAFETY

1. Always allow muffler to cool before filling fuel tank.
2. When storing for over one (1) month, Remove Fuel and oil from the Engine
3. Do not fill Do not fill the FUEL when engine is running or is hot.
4. The gear case has four (4) oz. of grease installed at the factory. It is recommended that once a year the gear case be split and the grease level checked. Add grease only if level of grease is below top of the gears. **DO NOT OVERFILL.**
5. For cold weather operation, store the unit in a cool environment. Transferring the unit from a warm to a cold place can cause the build up of harmful condensation.

	CAUTION
	<p>To Prevent accidental starting : Engine must be turned off and cool, and spark Plug wire must be removed from spark plug</p> <p>Before checking and adjusting engine or equipment.</p> <p>Do not operate auger before reading the engine manual provided in the parts packet.</p>

ENGINE MAINTENANCE

Refer to the engine manual included in your parts packet for information on engine maintenance. Your engine manual provides detailed information and a maintenance schedule for performing the following tasks:

1. Check oil level every five (5) operating hours and before each use.
2. Change oil after first two (2) operating hours and every 25 operating hours thereafter, more often if operated in extremely dusty or dirty conditions. Change oil while engine is still warm from recent running.
3. Frequently remove dirt and debris from cooling fins, air intake screen, levers and linkage. This will help ensure adequate cooling and correct engine speed.
4. Check air cleaner.
5. Check spark plug yearly or every 100 operating hours.
6. Check engine and auger often for loose nuts and bolts.

IMPORTANT
<p>Engine can overheat and become damaged if debris blocks the cooling fins or recoil housing.</p>

IMPORTANT
<p>Never run engine without complete air cleaner installed on engine.</p>




MAINTENANCE AND STORAGE

STORAGE

Follow the steps below to prepare your earth auger unit for storage. Read your manual for detailed instructions on preparing the engine for storage.

1. Drain the fuel system. Run the engine until it stops.
2. Change oil.
3. Remove spark plug, pour one (1) ounce of clean engine oil into spark plug hole. Cover hole with a rag. Pull starter handle slowly several times to distribute oil. Install spark plug. **Do not connect spark plug wire.**
4. Clean entire earth auger unit.
5. Store your earth auger unit in a clean, dry building that is inaccessible to children.

	CAUTION
	<p>Do not store earth auger unit with fuel in tank in doors or in enclosed, poorly ventilated areas, where fuel fumes may reach an open flame, spark, pilot light or an ignited object. Drain fuel outdoors away from any ignition sources. Use only approved fuel containers.</p> <p>For long term storage: close fuel shut-off valve and store earth auger unit in an upright position. Failure to do so can cause oil leakage over a prolonged period.</p>

SERVICE, TROUBLESHOOTING AND REPAIR

SERVICE INFORMATION

we build quality and durability into the design of our products and careful maintenance by you, can guarantee a repair-free life for your earth auger unit.

Most repairs will be minor, and easily fixed by following the suggestions in the trouble shooting guide in this section. The guide will help you pinpoint the causes of common problems and identify remedies.

For more complicated repairs, you may want to rely on your retailer or an authorized mechanic (contact your retailer for a list of authorized mechanics in your area). A parts catalog is included in this section.

We will always be glad to answer any questions you have, or help you find suitable assistance. To order parts or inquire about warranty, call or write us at the address found in the next column under the section or during repair parts.

ORDERING REPAIR PARTS

Parts can be obtained from the store where your earth auger powerhead was purchased or direct from the factory. To order from the factory, call or write to:

Please include the following information with your order:

1. Part numbers
2. Part description
3. Quantity
4. Model number and serial number



SERVICE, TROUBLESHOOTING AND REPAIR



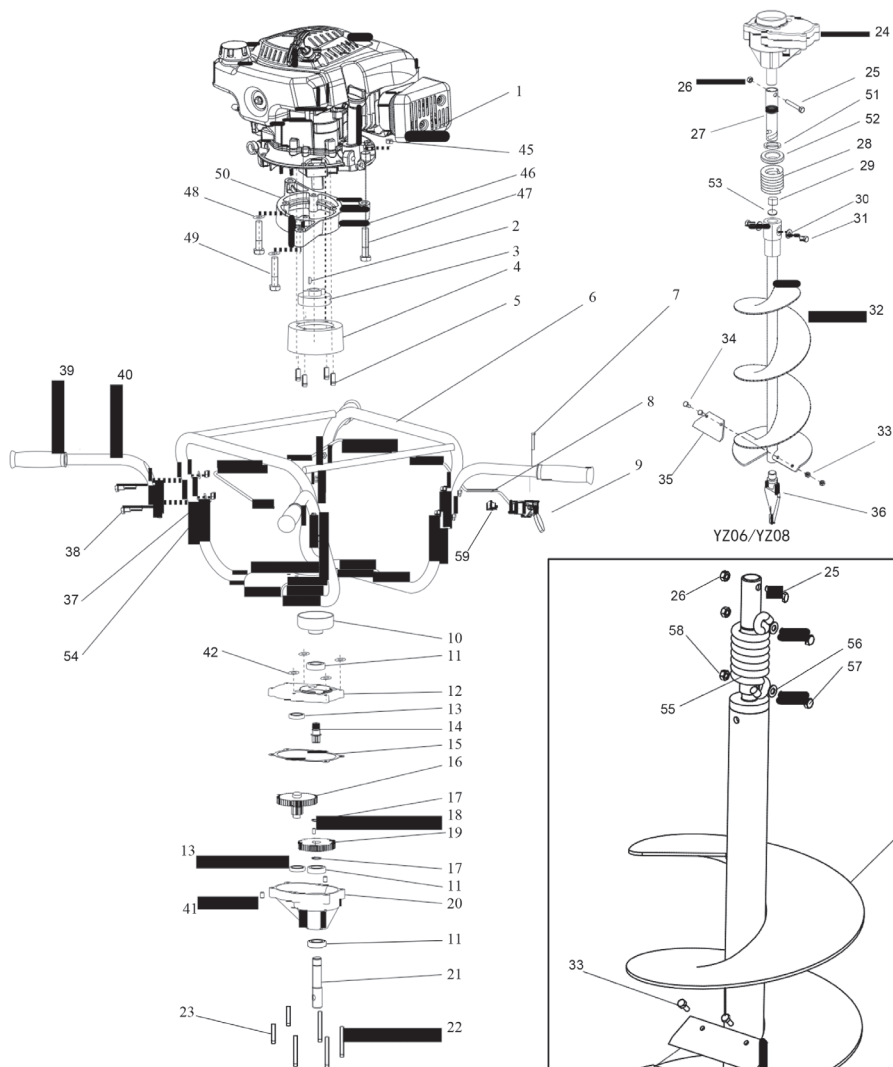
TROUBLESHOOTING

	CAUTION
	Practice safety at all times. Engine must be turned off and allowed to cool, and spark plug wire must be disconnected before attempting any maintenance or repair.

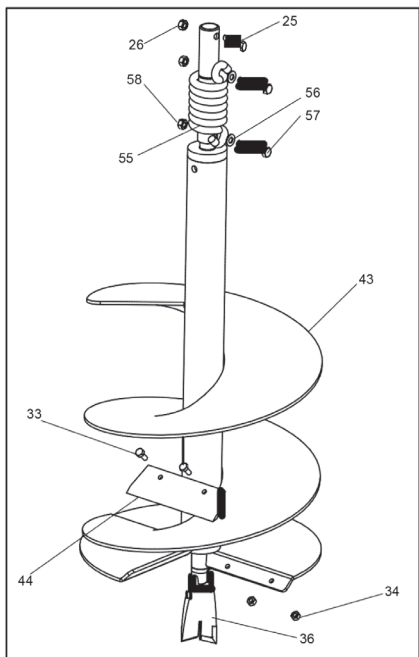
PROBLEM	POSSIBLE CAUSE	REMEDY/ACTION
Engine will not start	<ol style="list-style-type: none"> 1. Power switch off 2. Spark plug wire disconnected 	<ol style="list-style-type: none"> 1. Flip switch to on position 2. Connect spark plug wire to spark plug
Engine runs rough, floods during operation	<ol style="list-style-type: none"> 1. Dirty air cleaner 2. Carburetor out of adjustment 	<ol style="list-style-type: none"> 1. Clean or replace air cleaner 2. Take to authorized Briggs & Stratton service center
Engine is hard to start	<ol style="list-style-type: none"> 1. Stale fuel 2. Spark plug wire loose 3. Dirty carburetor 	<ol style="list-style-type: none"> 1. Drain old fuel and replace with fresh. 2. Make sure spark wire is securely attached to spark plug 3. Clean carburetor
Engine misses or lacks power	<ol style="list-style-type: none"> 1. Clogged fuel tank 2. Clogged air cleaner 3. Improper carburetor adjustment 4. Spark plug dirty, improper gap, or wrong type 	<ol style="list-style-type: none"> 1. Remove and clean 2. Clean or replace 3. Take to authorized service center 4. Replace spark plug and adjust gap
Auger turns at idle	<ol style="list-style-type: none"> 1. Idle speed too high 2. Broken clutch spring 	<ol style="list-style-type: none"> 1. Adjust idle speed lower 2. Replace both springs
Auger turns, but has no power	<ol style="list-style-type: none"> 1. Carburetor out of adjustment 2. Broken transmission 3. Worn clutch shoes 4. Worn engine lower seal 	<ol style="list-style-type: none"> 1. Take to authorized service center 2. Return to factory 3. Replace clutch shoes and springs 4. Take to authorized service center
Auger cuts slowly	<ol style="list-style-type: none"> 1. Damaged point 	<ol style="list-style-type: none"> 1. Buy a new fishtail point



POWERHEAD AND AUGER PARTS DIAGRAM



YZ06/YZ08



POWERHEAD AND AUGER PART LIST

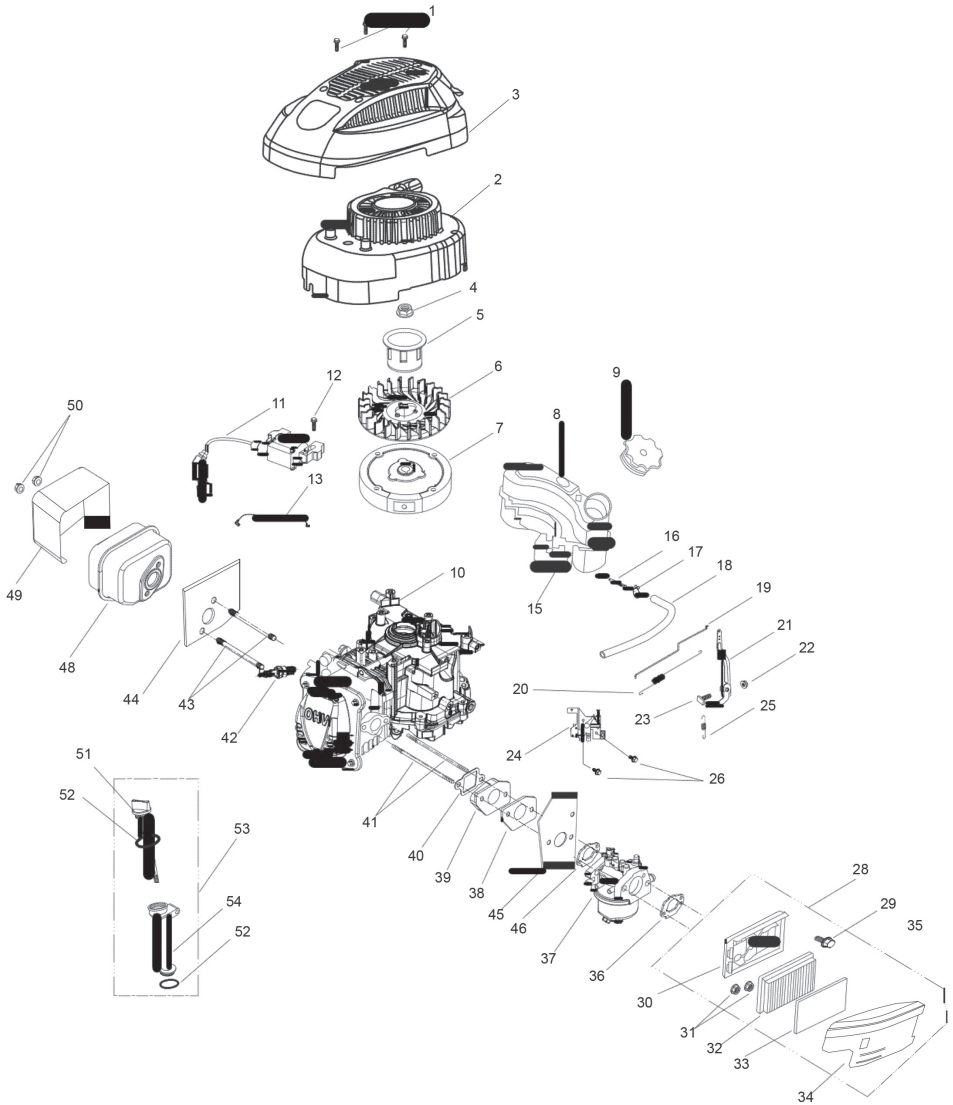
SL.NO	PART NO.	DESCRIPTION	QTY.
1	GPEA-2MO-196-01P	ENGINE, 196 CC	1
2	GPEA-2MO-196-02P	WOODRUFF KEY #6	1
3	GPEA-2MO-196-03P	ROTOR, CENTRIFUGAL CLUTCH COMPLETE	1
4	GPEA-2MO-196-04P	MOUNT RING	1
5	GPEA-2MO-196-05P	BOLT 5/16-18x1	4
6	GPEA-2MO-196-06P	MAIN HANDLEBAR ASSEMBLY	1
7	GPEA-2MO-196-07P	BOLT, PHILLIPS TRUSS HD 10-24 X 1-1/4"	1
8	GPEA-2MO-196-08P	CABLE, THROTTLE 43-1/2"	1
9	GPEA-2MO-196-09P	TRIGGER ASSEMBLY, LONG THROW	1
10	GPEA-2MO-196-10P	CLUTCH DRUM	1
11	GPEA-2MO-196-11P	BEARING, BALL R12 DOUBLE LIP	3
12	GPEA-2MO-196-12P	GEAR CASE, UPPER HALF	1
13	GPEA-2MO-196-13P	BALL BEARING R10	2
14	GPEA-2MO-196-14P	GEAR, 7T PINION THREADED	1
15	GPEA-2MO-196-15P	GASKET, POWERHEAD TRANSMISSION	1
16	GPEA-2MO-196-16P	GEAR 48T /10T	1
17	GPEA-2MO-196-17P	RING, SNAP EXTERNAL 3/4"	2
18	GPEA-2MO-196-18P	DOWEL PIN, STEEL 1/4" X 1/2"	1
19	GPEA-2MO-196-19P	GEAR, 44T 3/4" HOLE	1
20	GPEA-2MO-196-20P	GEAR CASE, LOWER HALF	1
21	GPEA-2MO-196-21P	SHAFT, OUTPUT 7/8"	1
22	GPEA-2MO-196-22P	BOLT, SHCS 1/4-20 X 2-1/2"	4
23	GPEA-2MO-196-23P	BOLT, SHCS 1/4-20 X 1-1/2"	2
24	GPEA-2MO-196-24P	TRANSMISSION ASSEMBLY 30:1	1
25	GPEA-2MO-196-25P	BOLT 3/8-16 X 1-1/2 HH	1
26	GPEA-2MO-196-26P	NUT 3/8-16 HEX LOCK BI-WAY	1
27	GPEA-2MO-196-27P	SHOCK TOP 1-PC	1
28	GPEA-2MO-196-28P	SHOCK SPRING	1
29	GPEA-2MO-196-29P	CUSHION RUBBER	1
30	GPEA-2MO-196-30P	SPRING WASHER 12	2
31	GPEA-2MO-196-31P	BOLT M12X1.25X14	2



SL.NO	PART NO.	DESCRIPTION	QTY.
32	GPEA-2MO-196-32P	EARTH AUGER 4	1
33	GPEA-2MO-196-33P	BOLT-HEX, 1/4-28 X 5/8", GRADE 5	2
34	GPEA-2MO-196-34P	NUT 1/4-28 BI-WAY LOCK	2
35	GPEA-2MO-196-35P	EARTH BLADE, 4	1
36	GPEA-2MO-196-36P	FISHTAIL POINT	1
37	GPEA-2MO-196-37P	LOCK-WASHER, SPRING 5/16"	8
38	GPEA-2MO-196-38P	BOLT, HEX HD 5/16-18 X 1-1/2"	8
39	GPEA-2MO-196-39P	PLASTICH HANDLE	4
40	GPEA-2MO-196-40P	HANDLE	4
41	GPEA-2MO-196-41P	POSITION PIN	2
42	GPEA-2MO-196-42P	WASHER-FLAT, 1/4"	4
43	GPEA-2MO-196-43P	EARTH AUGER 12"\14"	1
44	GPEA-2MO-196-44P	EARTH BLADE 12"\14"	1
45	GPEA-2MO-196-45P	NUT 5/16-18	2
46	GPEA-2MO-196-46P	WASHER-LOCK 5/16	2
47	GPEA-2MO-196-47P	BOLT 5/16-18X2-3/4	2
48	GPEA-2MO-196-48P	WASHER-LOCK 3/8	1
49	GPEA-2MO-196-49P	BOLT 3/16-16X2	1
50	GPEA-2MO-196-50P	JOINT LEVER CASTING	1
51	GPEA-2MO-196-51P	NUT M27X1.5	1
52	GPEA-2MO-196-52P	SPRING PLATE	1
53	GPEA-2MO-196-53P	WASHER	1
54	GPEA-2MO-196-54P	NUT,BY-WAY LOCK 5/16-18	8
55	GPEA-2MO-196-55P	SHOCK SPRING	1
56	GPEA-2MO-196-56P	WASHER-FLAT, 5/16"	2
57	GPEA-2MO-196-57P	BOLT-HHCS, 5/16-18 X 2", GRADE 5	2
58	GPEA-2MO-196-58P	NUT, BI-WAY LOCK 5/16-18	2
59	GPEA-2MO-196-59P	SWITCH,ROCKER	1



POWERHEAD AND AUGER ENGINE PARTS DIAGRAM



POWERHEAD AND AUGER ENGINE PART LIST

S.N	PART NO.	DESCRIPTION
1	GPEA-2MO-196L-01E	NUT,M6
2	GPEA-2MO-196L-02E	RECOIL ASSEMBLY WITH STANDARD HANDLE
3	GPEA-2MO-196L-03E	ENGINE HOOD
4	GPEA-2MO-196L-04E	NUT,M14
5	GPEA-2MO-196L-05E	RECOIL CLUTCH
6	GPEA-2MO-196L-06E	FLYWHEEL, MAGNETO
7	GPEA-2MO-196L-07E	SPRING, CLUTCH
8	GPEA-2MO-196L-08E	FUEL TANK
9	GPEA-2MO-196L-09E	FUEL CAP, MANUAL VENTING
10	GPEA-2MO-196L-10E	ENGINE BODY
11	GPEA-2MO-196L-11E	IGNITION COIL
12	GPEA-2MO-196L-12E	BOLT M6X25
13	GPEA-2MO-196L-13E	ENGINE WIRE
14	GPEA-2MO-196L-14E	GASKET
15	GPEA-2MO-196L-15E	THE FUEL TANK BRACKET
16	GPEA-2MO-196L-16E	FUEL FILTER
17	GPEA-2MO-196L-17E	OIL PIPE CLAMP
18	GPEA-2MO-196L-18E	FUEL PIPE
19	GPEA-2MO-196L-19E	GOVERNOR ROD
20	GPEA-2MO-196L-20E	GOVERNOR SPRING
21	GPEA-2MO-196L-21E	CONTROL ARM
22	GPEA-2MO-196L-22E	NUT,M6
23	GPEA-2MO-196L-23E	CONTROL ARM SQUARE HEAD BOLT
24	GPEA-2MO-196L-24E	GOVERNOR BRACKET ASSEMBLY
25	GPEA-2MO-196L-25E	SPRING
26	GPEA-2MO-196L-26E	BOLT,M6X12
27	GPEA-2MO-196L-27E	SWITCH, ROCKER

S.N	PART NO.	DESCRIPTION
28	GPEA-2MO-196L-28E	THE AIR FILTER ASSEMBLY
29	GPEA-2MO-196L-29E	BOIT,M6X25
30	GPEA-2MO-196L-30E	BASE, INTAKE
31	GPEA-2MO-196L-31E	NUT,M6
32	GPEA-2MO-196L-32E	AIR CLEANER ELEMENT
33	GPEA-2MO-196L-33E	OPTIONAL FOAM PRECLEANER
34	GPEA-2MO-196L-34E	AIR CLEANER COVER
35	GPEA-2MO-196L-35E	OIL CAP
36	GPEA-2MO-196L-36E	GASKET,AIR CLEANER
37	GPEA-2MO-196L-37E	CARBURETOR
38	GPEA-2MO-196L-38E	PACKING,CARBURETOR
39	GPEA-2MO-196L-39E	INSULATIR,CARBURETOR
40	GPEA-2MO-196L-40E	PACKING,INSULATOR
41	GPEA-2MO-196L-41E	CARBURETOR STUD
42	GPEA-2MO-196L-42E	SPARK PLUG
43	GPEA-2MO-196L-43E	MUFFLER STUD
44	GPEA-2MO-196L-44E	GASKET, MUFFLER
45	GPEA-2MO-196L-45E	PACKING,CARBURETOR
46	GPEA-2MO-196L-46E	PACKING,CARBURETOR
47	GPEA-2MO-196L-47E	MUFFLER
48	GPEA-2MO-196L-48E	COVER, MUFFLER
49	GPEA-2MO-196L-49E	NUT, M6
50	GPEA-2MO-196L-50E	OIL DIPSTICK
51	GPEA-2MO-196L-51E	O TYPE RUBBER RING
52	GPEA-2MO-196L-52E	OIL DIPSTICK ASSEMBLY
53	GPEA-2MO-196L-53E	OIL SCALE BASE



1st Free Service Coupon

ISO 9001-2008
CERTIFIED COMPANY



FREE SERVICE COUPON (30 Days / 20 hrs (Which ever is earlier))

Model
GPEA - 2MO - 196L Two Men Earth Auger

PDI Date

Service No.

Purchase bill no. _____ Date _____

Dealer's Office Seal & Signature

Serial Number

- Operations:
- Check and Test the Fuel Mixture.
 - Check and Clean the Air Filter
 - Check, Clean and Adjust the Spark plug
 - Check and Adjust the Carburetor Tuning
 - Check and Sharpen the cutting Tools
 - Start and Check the Noise, Vibration, Loosen / Fasteners etc.
 - Product familiarization on Usage
 - Routine maintenance and Storage

Customer Signature.....

Conditions: Operations listed have been performed to my entire satisfaction without any labour charges. Only consumables were charged.

WARRANTY AND FREE SERVICE COUPON

Bungalow | Hotels | Gardens | Stadium | Resorts | Lawns | Parks | Golf Course

2nd Free Service Coupon

ISO 9001-2008
CERTIFIED COMPANY

FREE SERVICE COUPON (30 Days / 20 hrs (Which ever is earlier))

Model
GPEA - 2MO - 196L Two Men Earth Auger

PDI Date

Service No.

Purchase bill no. _____ Date _____

Dealer's Office Seal & Signature

Serial Number

- Operations:
- Check and Test the Fuel Mixture.
 - Check and Clean the Air Filter
 - Check, Clean and Adjust the Spark plug
 - Check and Adjust the Carburetor Tuning
 - Check and Sharpen the cutting Tools
 - Start and Check the Noise, Vibration, Loosen / Fasteners etc.
 - Product familiarization on Usage
 - Routine maintenance and Storage

Customer Signature.....

Conditions: Operations listed have been performed to my entire satisfaction without any labour charges. Only consumables were charged.

WARRANTY AND FREE SERVICE COUPON

Bungalow | Hotels | Gardens | Stadium | Resorts | Lawns | Parks | Golf Course

3rd Free Service Coupon

ISO 9001-2008
CERTIFIED COMPANY

FREE SERVICE COUPON (30 Days / 20 hrs (Which ever is earlier))

Model
GPEA - 2MO - 196L Two Men Earth Auger

PDI Date

Service No.

Purchase bill no. _____ Date _____

Dealer's Office Seal & Signature

Serial Number

- Operations:
- Check and Test the Fuel Mixture.
 - Check and Clean the Air Filter
 - Check, Clean and Adjust the Spark plug
 - Check and Adjust the Carburetor Tuning
 - Check and Sharpen the cutting Tools
 - Start and Check the Noise, Vibration, Loosen / Fasteners etc.
 - Product familiarization on Usage
 - Routine maintenance and Storage

Customer Signature.....

Conditions: Operations listed have been performed to my entire satisfaction without any labour charges. Only consumables were charged.

WARRANTY AND FREE SERVICE COUPON

Bungalow | Hotels | Gardens | Stadium | Resorts | Lawns | Parks | Golf Course



1. **LIMITED WARRANTY PERIOD** : For a period of six months from the date of Sale / delivery of the product which ever is earlier. 2. **LIMITED WARRANTY OBLIGATION** : Replacement of defective part(s) by authorized dealer are free of charges. If found defective by reasons of defective material / poor workmanship, parts will be replaced and there will be no value re-imbursalment. 3. **TERMS & CONDITIONS** : a. Claims under warranty will be accepted on submission of Warranty Card duly filled and stamped by authorized dealer together with the original purchase document. : b. Shipping / transportation / Incidental charges incurred in replacing defective parts under warranty shall be borne by the purchaser.

WARRANTY null & void if

- (i) Lack of maintenance, (ii) Incorrect use of the machine or tampering, (iii) Use of non-genuine spare parts, (iv) Usage of acids, solvents, or any flammable materials, (v) Non-usage of filter water / clear water / soft water & using water above 40°C temperature, (vi) While using the pressure washers to draw water which is contaminated with dust & solvents (eg. paint thinners, gasoline, oil, etc.), (vii) Repair done by unauthorized service people, (viii) Those parts subject to wear & tear due to normal operations and plastic parts, rubber items etc, (ix) Loose connections, faulty electrical fixtures & fluctuations in power supply.
4. Should any failure occur during or after the warranty period, customer does not have the right to interrupt payment / price discount.
 5. Incidental or consequential damages like inconvenience commercial loss, loss of tie, mental agony etc.
 6. Loss of any nature due to operation or non-operation is not covered under warranty.
 7. All free service are at Dealer's service point only.
 8. Warranty ceases if service is not done periodically.
 9. The attached card should be completed and returned to Ratnagiri Impex Pvt. Ltd. for registration immediately after sale / delivery.
 10. The warranty is void unless you register the warranty card with Ratnagiri Impex Pvt. Ltd.
 11. The decision of Ratnagiri Impex Pvt. Ltd., in settling the warranty is final in all respects.
 12. All disputes are subject to Bangalore Courts Jurisdiction

1. **LIMITED WARRANTY PERIOD** : For a period of six months from the date of Sale / delivery of the product which ever is earlier. 2. **LIMITED WARRANTY OBLIGATION** : Replacement of defective part(s) by authorized dealer are free of charges. If found defective by reasons of defective material / poor workmanship, parts will be replaced and there will be no value re-imbursalment. 3. **TERMS & CONDITIONS** : a. Claims under warranty will be accepted on submission of Warranty Card duly filled and stamped by authorized dealer together with the original purchase document. : b. Shipping / transportation / Incidental charges incurred in replacing defective parts under warranty shall be borne by the purchaser.

WARRANTY null & void if

- (i) Lack of maintenance, (ii) Incorrect use of the machine or tampering, (iii) Use of non-genuine spare parts, (iv) Usage of acids, solvents, or any flammable materials, (v) Non-usage of filter water / clear water / soft water & using water above 40°C temperature, (vi) While using the pressure washers to draw water which is contaminated with dust & solvents (eg. paint thinners, gasoline, oil, etc.), (vii) Repair done by unauthorized service people, (viii) Those parts subject to wear & tear due to normal operations and plastic parts, rubber items etc, (ix) Loose connections, faulty electrical fixtures & fluctuations in power supply.
4. Should any failure occur during or after the warranty period, customer does not have the right to interrupt payment / price discount.
 5. Incidental or consequential damages like inconvenience commercial loss, loss of tie, mental agony etc.
 6. Loss of any nature due to operation or non-operation is not covered under warranty.
 7. All free service are at Dealer's service point only.
 8. Warranty ceases if service is not done periodically.
 9. The attached card should be completed and returned to Ratnagiri Impex Pvt. Ltd. for registration immediately after sale / delivery.
 10. The warranty is void unless you register the warranty card with Ratnagiri Impex Pvt. Ltd.
 11. The decision of Ratnagiri Impex Pvt. Ltd., in settling the warranty is final in all respects.
 12. All disputes are subject to Bangalore Courts Jurisdiction

1. **LIMITED WARRANTY PERIOD** : For a period of six months from the date of Sale / delivery of the product which ever is earlier. 2. **LIMITED WARRANTY OBLIGATION** : Replacement of defective part(s) by authorized dealer are free of charges. If found defective by reasons of defective material / poor workmanship, parts will be replaced and there will be no value re-imbursalment. 3. **TERMS & CONDITIONS** : a. Claims under warranty will be accepted on submission of Warranty Card duly filled and stamped by authorized dealer together with the original purchase document. : b. Shipping / transportation / Incidental charges incurred in replacing defective parts under warranty shall be borne by the purchaser.

WARRANTY null & void if

- (i) Lack of maintenance, (ii) Incorrect use of the machine or tampering, (iii) Use of non-genuine spare parts, (iv) Usage of acids, solvents, or any flammable materials, (v) Non-usage of filter water / clear water / soft water & using water above 40°C temperature, (vi) While using the pressure washers to draw water which is contaminated with dust & solvents (eg. paint thinners, gasoline, oil, etc.), (vii) Repair done by unauthorized service people, (viii) Those parts subject to wear & tear due to normal operations and plastic parts, rubber items etc, (ix) Loose connections, faulty electrical fixtures & fluctuations in power supply.
4. Should any failure occur during or after the warranty period, customer does not have the right to interrupt payment / price discount.
 5. Incidental or consequential damages like inconvenience commercial loss, loss of tie, mental agony etc.
 6. Loss of any nature due to operation or non-operation is not covered under warranty.
 7. All free service are at Dealer's service point only.
 8. Warranty ceases if service is not done periodically.
 9. The attached card should be completed and returned to Ratnagiri Impex Pvt. Ltd. for registration immediately after sale / delivery.
 10. The warranty is void unless you register the warranty card with Ratnagiri Impex Pvt. Ltd.
 11. The decision of Ratnagiri Impex Pvt. Ltd., in settling the warranty is final in all respects.
 12. All disputes are subject to Bangalore Courts Jurisdiction

Warranty Card

CUSTOMER COPY



Purchaser's Name & Address

Product Name

GPEA - 2MO - 196L Two Men Earth Auger

Product Serial No.

Invoice / DN No.

Date of Delivery

Dealer's Office Seal

Dealer Sign _____

Customer Sign. _____

I/We accept the terms and conditions of Warranty as in the Warranty Card.



Warranty Card

DEALER'S COPY

Purchaser's Name & Address

Product Name

GPEA - 2MO - 196L Two Men Earth Auger

Product Serial No.

Invoice / DN No.

Date of Delivery

Dealer's Office Seal

Dealer Sign _____

Customer Sign. _____

I/We accept the terms and conditions of Warranty as in the Warranty Card.



Warranty Card

COMPANY COPY

Purchaser's Name & Address

Product Name

GPEA - 2MO - 196L Two Men Earth Auger

Product Serial No.

Invoice / DN No.

Date of Delivery

Dealer's Office Seal

Dealer Sign _____

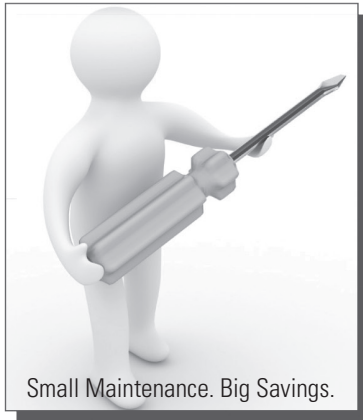
Customer Sign. _____

I/We accept the terms and conditions of Warranty as in the Warranty Card.





Small Maintenance. Big Savings.



Small Maintenance. Big Savings.



Small Maintenance. Big Savings.



Do's & Don'ts

- Always read the instruction manual supplied along with the equipments and understand the correct installation and operating procedures before attempting to use the equipments.
- It is important to use the personal protection equipments such as head helmet with visor, ear defenders, goggles, safety gloves, cut resistant shoes, trousers and jackets while operating potentially dangerous machines.
- Avoid untrained persons using the equipments. Children must not be allowed to handle these equipments.
- Always use genuine spares and accessories in repairs and usage to derive maximum life of the equipments.
- Always keep the equipments in good working condition to minimise loss of output as well as to reduce the pollution and save the environment.
- Do not use the machine within range of persons unless they wear protective clothing.
- Do not operate the machine when fatigued or under the influence of alcohol or drugs.
- For more query kindly contact for our Service Center/Dealer/ franchise





Green Panther
Naturally Powerful



RATNAGIRI IMPEX PVT LTD
Annapurna House, #1/1G, 7th Cross, New Guddadahalli
Mysore Road, Bangalore-560 026
Customer Care: 1800-425-3036
email: info@ratnagiriimpex.com
www.ratnagiriimpex.com



Marketed by:
ratnagiri
impex
BRINGING YOU THE FUTURE... NOW

AN ISO 9001:2008 CERTIFIED COMPANY