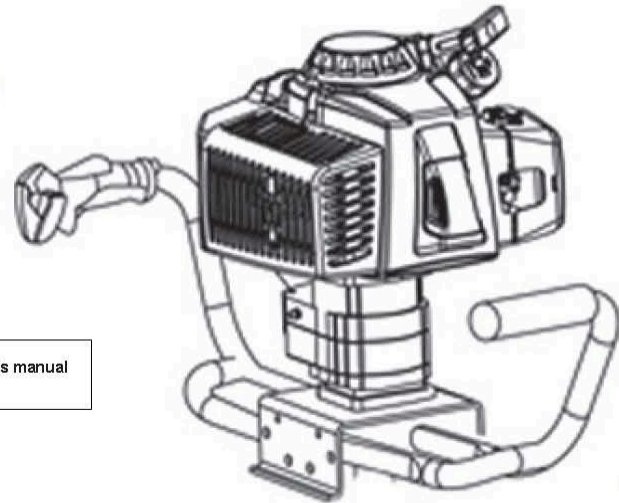


# KASEI

## OPERATOR'S MANUAL

### KZ-5000EA-PRO-2S

### EARTH AUGER



#### Original Instructions

**CAUTION:** Thank you for purchasing a product. Before using our pole saw, please read this manual carefully to understand the proper use of your unit.

Serial No.



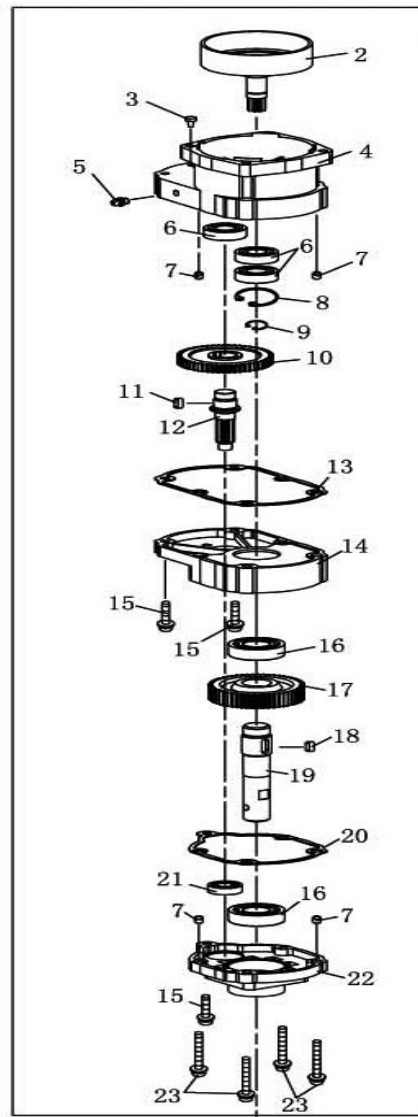
**WARNING** – The muffler and other parts of the engine (e.g. fins of the cylinder, spark plug) become hot during operation and remain hot for a while after stopping the engine. To reduce risk of burns do not touch the muffler and other parts while they are hot.

## **TECHNICAL SPECIFICATIONS**

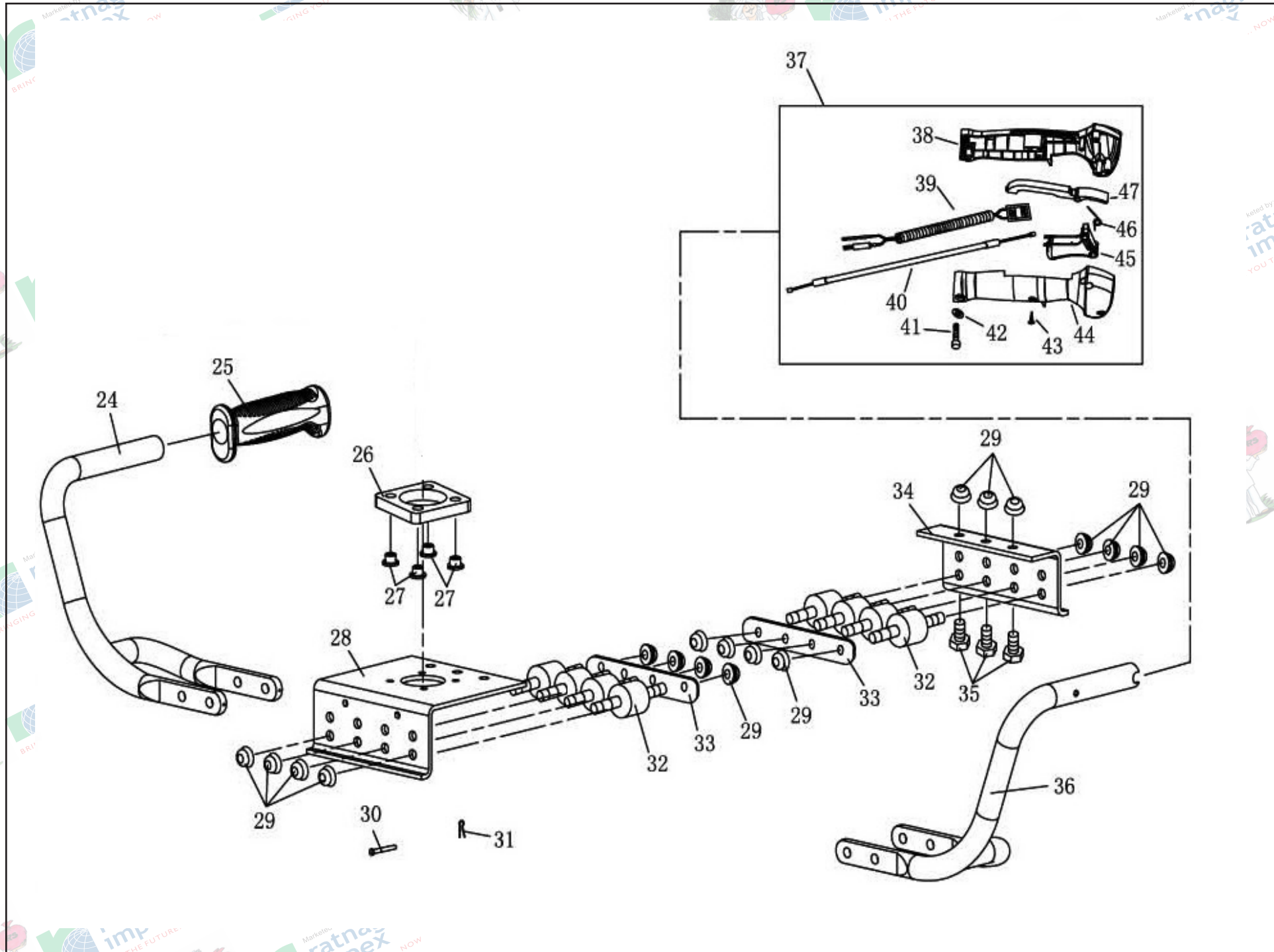
Model	KZ 5000EA-PRO
Reduction Rate	37:1
Engine Type	Single Cylinder Air cooling, 2stroke gasoline
Displacement	50.8cc
Fuel Tank Capacity	0.9L
Carburetor	Diaphragm
Starting Method	Recoil starter
Power KW/HP	1.5/2
Net weight KG	9.5

# DIAGRAM & SPARE PART LIST OF KZ 5000EA

## GEAR BOX



SL NO.	PART NO.	DESCRIPTION
1	KZ-5000EA-01	GEAR BOX
2	KZ-5000EA-02	CLUTCH DRUM COMP.
3	KZ-5000EA-03	VENT-PLUG
4	KZ-5000EA-04	WHEEL BOX
5	KZ-5000EA-05	FUEL CUP
6	KZ-5000EA-06	BEARING
7	KZ-5000EA-07	BUSHING
8	KZ-5000EA-08	STOP RING
9	KZ-5000EA-09	STOP RING
10	KZ-5000EA-10	GEAR
11	KZ-5000EA-11	KEY(cancel)
12	KZ-5000EA-12	GEAR SHAFT
13	KZ-5000EA-13	GASKET
14	KZ-5000EA-14	WHEEL BOX
15	KZ-5000EA-15	SCREW
16	KZ-5000EA-16	BEARING
17	KZ-5000EA-17	GEAR
18	KZ-5000EA-18	KEY(cancel)
19	KZ-5000EA-19	SHAFT
20	KZ-5000EA-20	GASKET
21	KZ-5000EA-21	BEARING
22	KZ-5000EA-22	CASE COVER
23	KZ-5000EA-23	SCREW

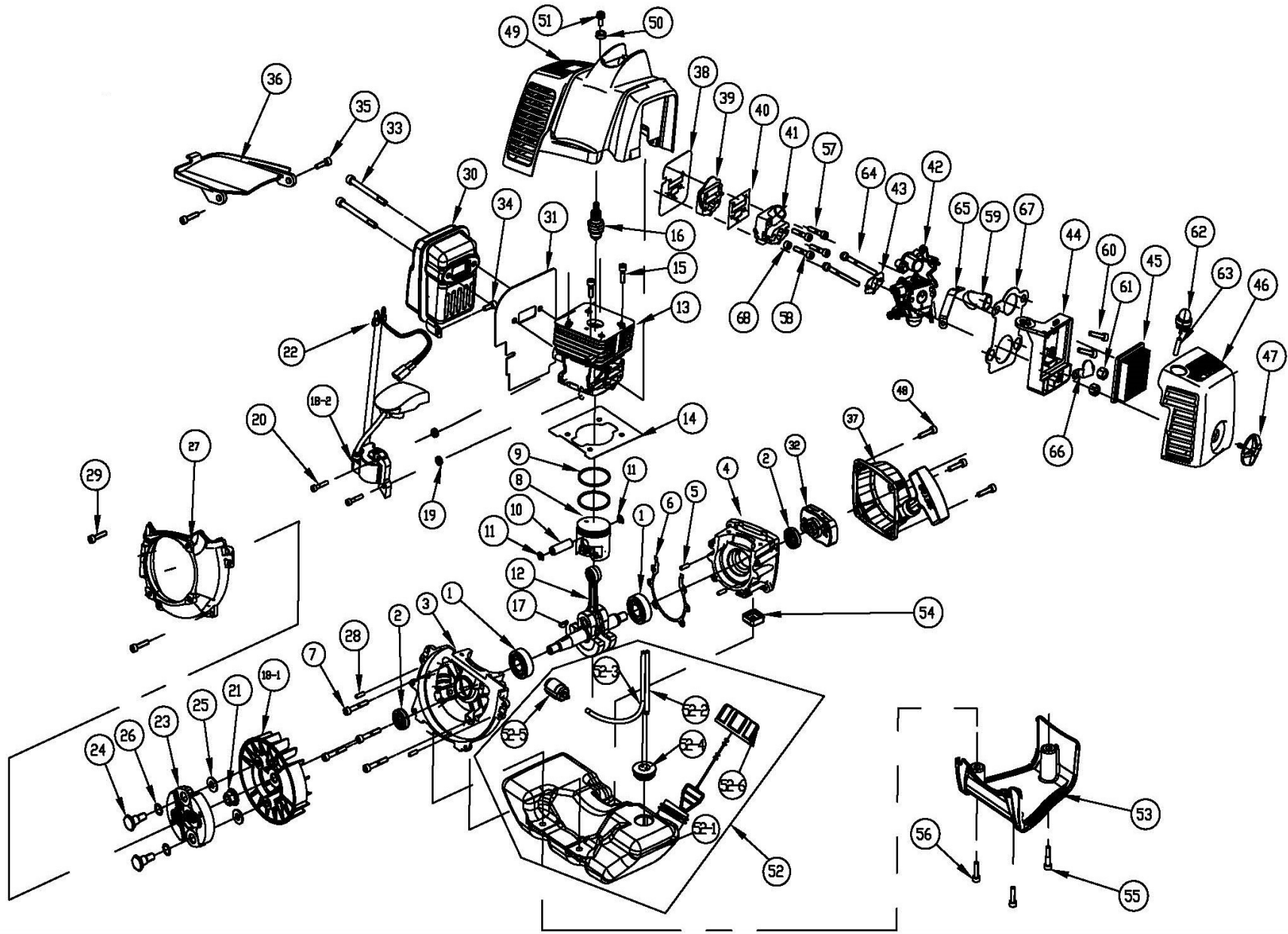


# Handle Assy & Lever Assy

24	KZ-5000EA-24	HANDLE ASSY
25	KZ-5000EA-25	RUBBER RINGER
26	KZ-5000EA-26	RUBBER WASHER
27	KZ-5000EA-27	SPACER
28	KZ-5000EA-28	BRACE
29	KZ-5000EA-29	NUT
30	KZ-5000EA-30	SHAFT
31	KZ-5000EA-31	PIN
32	KZ-5000EA-32	RUBBER POLE
33	KZ-5000EA-33	CUSHION
34	KZ-5000EA-34	BRACE
35	KZ-5000EA-35	SCREW
36	KZ-5000EA-36	HANDLE

37	KZ-5000EA-37	LEVER ASS'Y
38	KZ-5000EA-38	BOX,LEFT
39	KZ-5000EA-39	STOP BUTTON COMP.
40	KZ-5000EA-40	CABLE COMP.
41	KZ-5000EA-41	SCREW
42	KZ-5000EA-42	WASHER
43	KZ-5000EA-43	SCREW
44	KZ-5000EA-44	BOX,RIGHT
45	KZ-5000EA-45	HANDGRIP
46	KZ-5000EA-46	SPRING
46	KZ-5000EA-47	HANDGRIP
46	KZ-5000EA-48	DRILL

# ENGINE DIAGRAM OF KZ 5000EA



# SPARE PART LIST OF KZ 5000EA

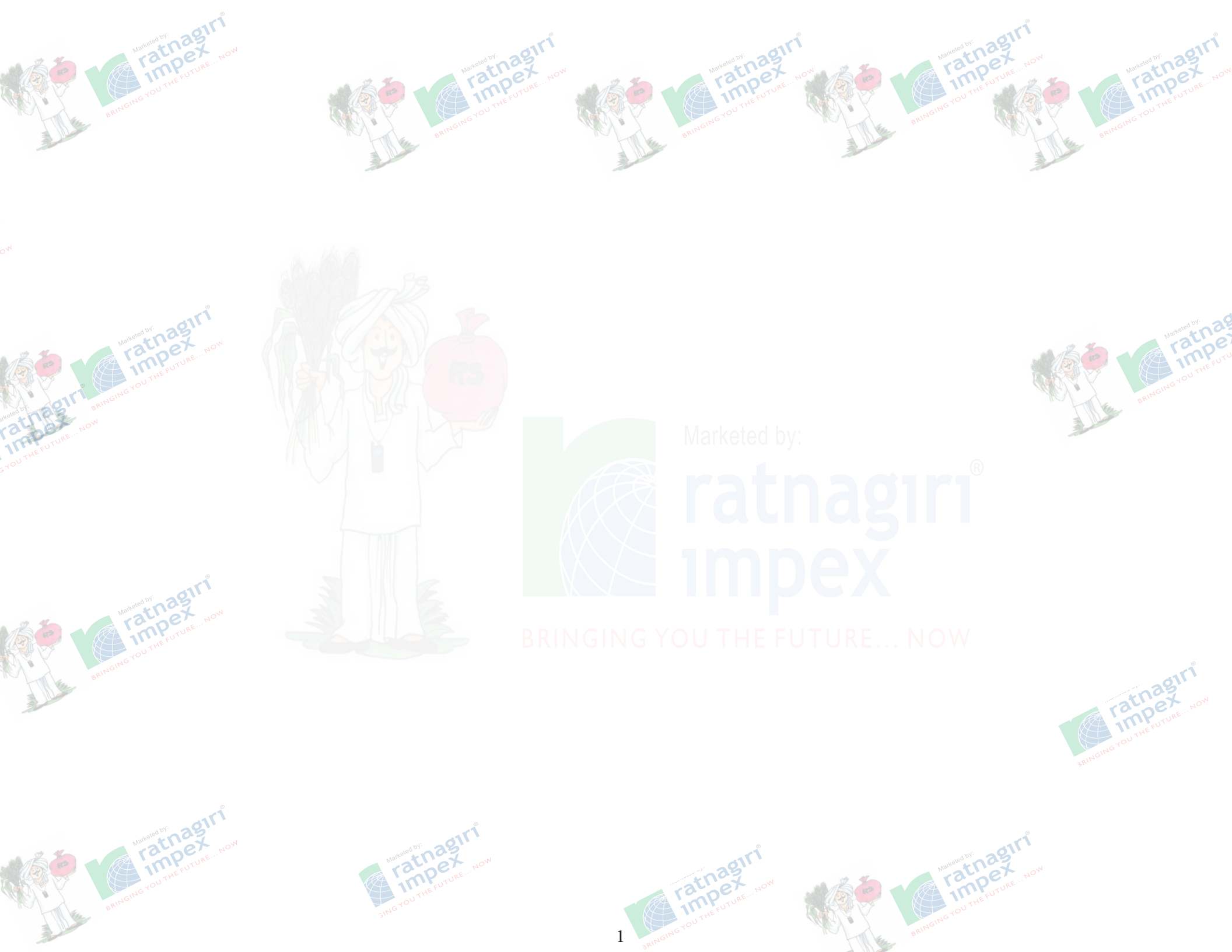
1	KZ-5000EA-E01	BEARING	16	KZ-5000EA-E16	SPARK PLUG
2	KZ-5000EA-E02	BACK OIL SEAL	17	KZ-5000EA-E17	KEY
3	KZ-5000EA-E03	FRONT HALF CRANK CASE	18	KZ-5000EA-E18.1	FLYWHEEL
4	KZ-5000EA-E04	BACK HALF CRANK CASE	18.1	KZ-5000EA-E18.2	IGNITION COIL COM P.
5	KZ-5000EA-E05	PIN	19	KZ-5000EA-E19	GASKET
6	KZ-5000EA-E06	CRANK CASE GASKET	20	KZ-5000EA-E20	Screw
7	KZ-5000EA-E07	BOLT	21	KZ-5000EA-E21	NUT
8	KZ-5000EA-E08	PISTON	22	KZ-5000EA-E22	WIRE LEAD ASSY.
9	KZ-5000EA-E09	PISTON RING	23	KZ-5000EA-E23	CLUTCH
10	KZ-5000EA-E10	PISTON PIN	24	KZ-5000EA-E24	SCREW SHAFT
11	KZ-5000EA-E11	PISTON PIN CIRCLIP	25	KZ-5000EA-E25	WASHER B
12	KZ-5000EA-E12	CRANK SHAFT ASSY.	26	KZ-5000EA-E26	WASHER
13	KZ-5000EA-E13	CYLINDER	27	KZ-5000EA-E27	FLYWHEEL COVER
14	KZ-5000EA-E14	CYLINDER GASKET	28	KZ-5000EA-E28	PIN
15	KZ-5000EA-E15	BOLT	29	KZ-5000EA-E29	SCREW
			30	KZ-5000EA-E30	MUFFLER

# SPARE PART LIST OF KZ 5000EA

31	KZ-5000EA-E31	MUFFLER GASKET
32	KZ-5000EA-E32	STARTER REEL
33	KZ-5000EA-E33	SCREW
34	KZ-5000EA-E34	SCREW
35	KZ-5000EA-E35	SCREW
36	KZ-5000EA-E36	FUEL TANK THERMAL BAFFLE
37	KZ-5000EA-E37	STARTER
38	KZ-5000EA-E38	ADMITTING PIPE GASKET
39	KZ-5000EA-E39	ADMITTING PIPE GASKET
40	KZ-5000EA-E40	ADMITTING PIPE GASKET
41	KZ-5000EA-E41	INSULATOR
42	KZ-5000EA-E42	CARBURETOR
43	KZ-5000EA-E43	CARBURETOR GASKET
44	KZ-5000EA-E44	INSIDE AIR BOX
45	KZ-5000EA-E45	FILTER
46	KZ-5000EA-E46	OUTSIDE AIR BOX
47	KZ-5000EA-E47	BIG HEAD SCREW
48	KZ-5000EA-E48	SCREW
49	KZ-5000EA-E49	CYLINDER COVER

50	KZ-5000EA-E50	HEAT PROOF MAT
51	KZ-5000EA-E51	SCREW
52	KZ-5000EA-E52.1	FUEL TANK ASS'Y
	KZ-5000EA-E52.2	FUEL PIPE
	KZ-5000EA-E52.3	FUEL PIPE
	KZ-5000EA-E52.4	GROMMET
	KZ-5000EA-E52.5	FUEL FILTER
	KZ-5000EA-E52.6	FUEL TANK CAP
53	KZ-5000EA-E53	SUPPORT
54	KZ-5000EA-E54	FUEL TANK HEAT SHIELD
55	KZ-5000EA-E55	SCREW
56	KZ-5000EA-E56	SCREW
57	KZ-5000EA-E57	SCREW
58	KZ-5000EA-E58	SCREW
59	KZ-5000EA-E59	AIR INTAKE HOSE
60	KZ-5000EA-E60	SCREW
61	KZ-5000EA-E61	NUT
62	KZ-5000EA-E62	OIL CUP
63	KZ-5000EA-E63	FUEL TUBE
64	KZ-5000EA-E64	SCREW
65	KZ-5000EA-E65	BRACKET
66	KZ-5000EA-E66	BAFFLE
67	KZ-5000EA-E67	AIR BOX GASKET
68	KZ-5000EA-E68	SHAFT SLEEVE





Marketed by:  
**ratnagiri<sup>®</sup>  
impex**

BRINGING YOU THE FUTURE... NOW



***KASEI***

**Multi-products,  
multi-applications**



Marketed by:  
**ratnagiri  
impex**

BRINGING YOU THE FUTURE... NOW

Imported & Marketed by  
**RATNAGIRI IMPEX PVT LTD**  
Annapurna House, #1/1G,  
7th Cross, New Guddadahalli  
Mysore Road, Bangalore-560 026  
email: [marketing@ratnagiriimpex.com](mailto:marketing@ratnagiriimpex.com)

[www.ratnagiriimpex.com](http://www.ratnagiriimpex.com)