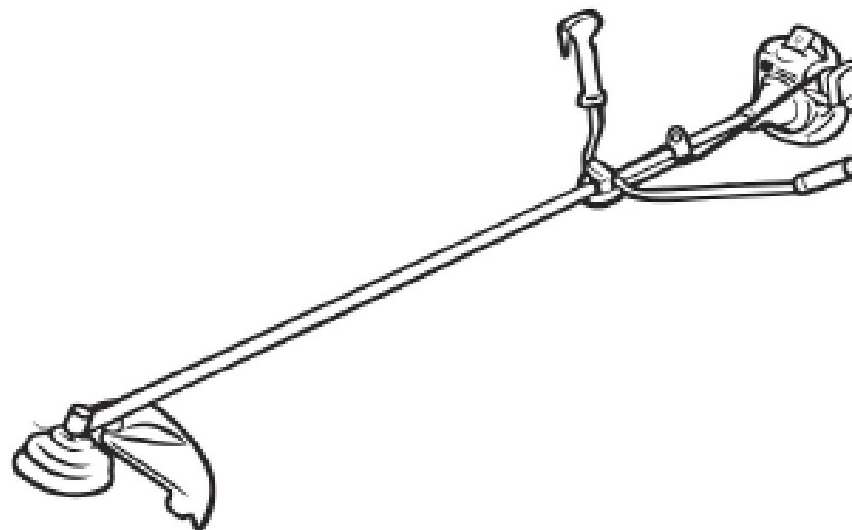


USER MANUAL

KASEI
Advanced Technology

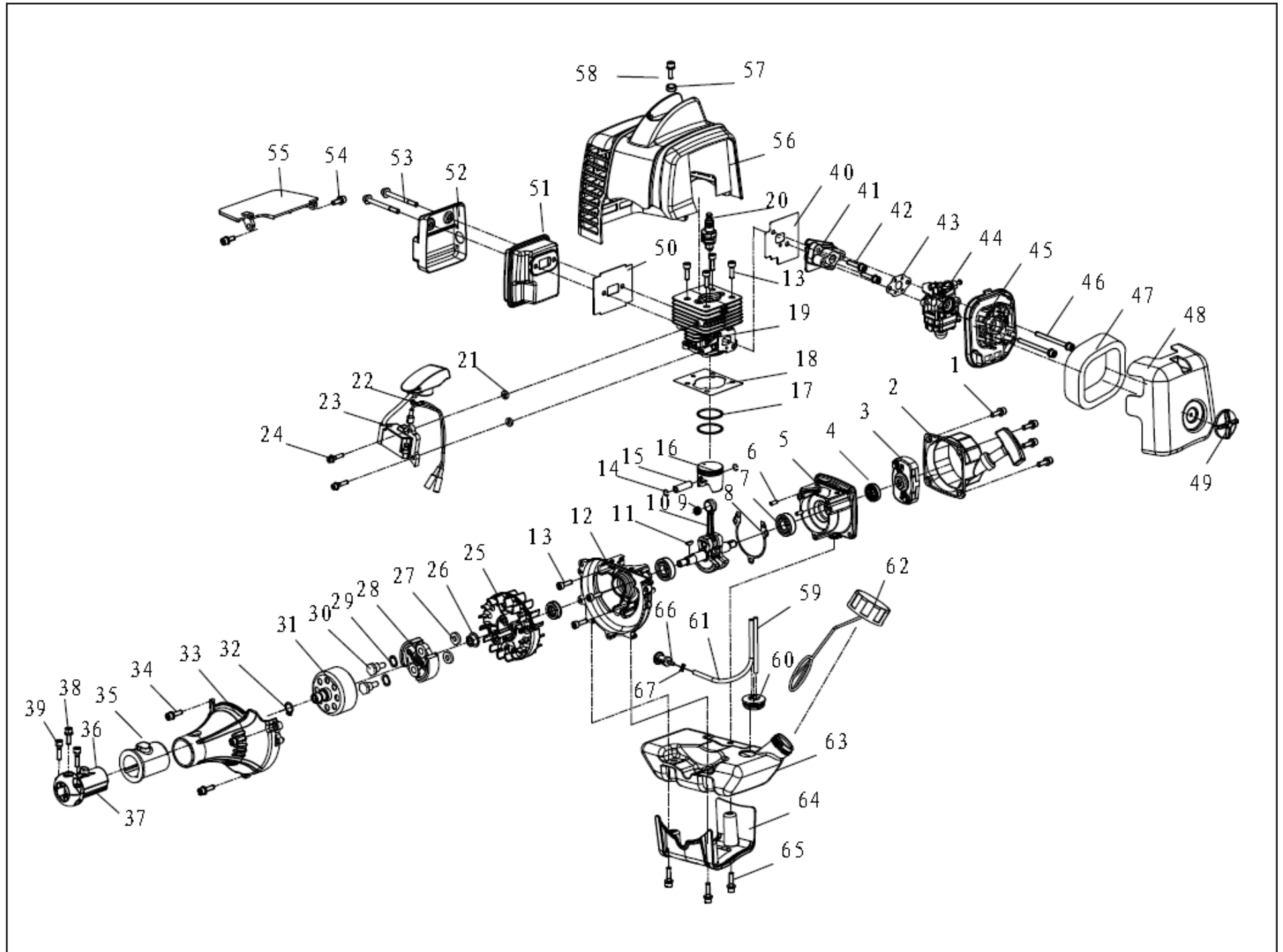
KASEI BRUSH CUTTER KZ-3000BC-PRO-2S



TECHNICAL SPECIFICATIONS

MODEL	KZ-3000BC-PRO-2S
TYPE	2STROKE
METHOD OF STARTING	RECOIL START
DISPLACEMENT	25CC
POWER	0.7KW/7500RPM
FUEL TANK CAPACITY	0.7LTR
WEIGHT	3.1KG

ENGINE DIAGRAM & SPARE PART LIST OF KZ-3000BC-PRO-2S



ENGINE DIAGRAM & SPARE PART LIST OF KZ-3000BC-PRO-2S

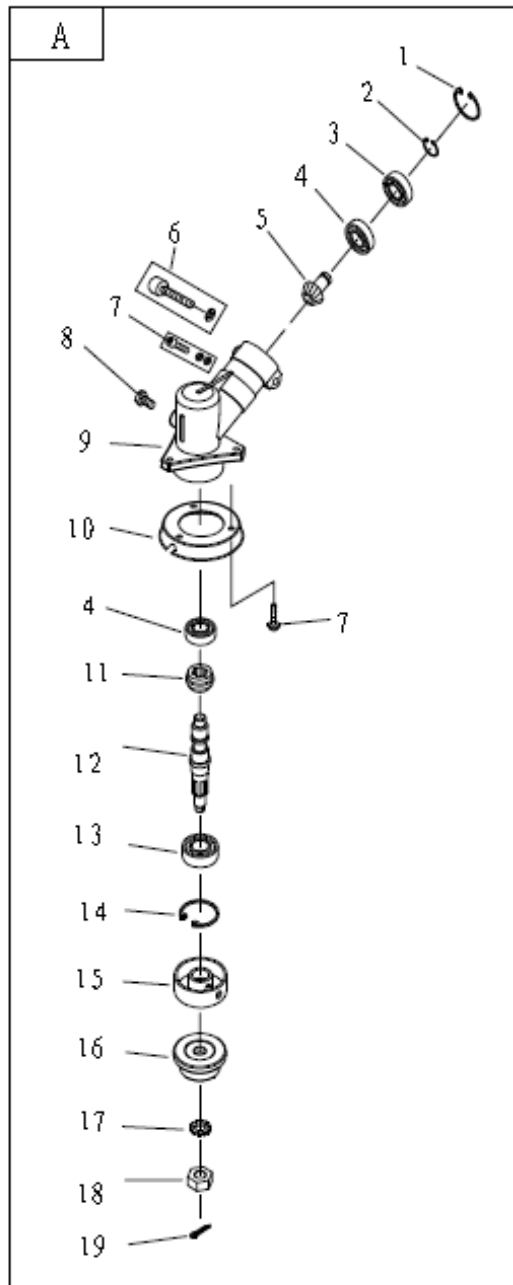
SL NO	PART NO	DESCRIPTION	SL NO	PART NO	DESCRIPTION
1	KZ-3000BC-E01	Screw	17	KZ-3000BC-E17	Ring piston
2	KZ-3000BC-E02	Starter	18	KZ-3000BC-E18	Gasket Cylinder
3	KZ-3000BC-E03	Guide Cover Assy	19	KZ-3000BC-E19	Cylinder
4	KZ-3000BC-E04	Oil seal	20	KZ-3000BC-E20	Spark plug
5	KZ-3000BC-E05	Crank case	21	KZ-3000BC-E21	Spacer ignition coil
6	KZ-3000BC-E06	Pin	22	KZ-3000BC-E22	Wire lead assy
7	KZ-3000BC-E07	Bearing	23	KZ-3000BC-E23	Ignition coil
8	KZ-3000BC-E08	Gasket Crank case	24	KZ-3000BC-E24	Screw
9	KZ-3000BC-E09	Bearing	25	KZ-3000BC-E25	Rotor magnet
10	KZ-3000BC-E10	Crank Shaft Assy	26	KZ-3000BC-E26	Nut
11	KZ-3000BC-E11	Key	27	KZ-3000BC-E27	Wave washer
12	KZ-3000BC-E12	Crank case	28	KZ-3000BC-E28	Clutch assy
13	KZ-3000BC-E13	Screw	29	KZ-3000BC-E29	Washer
14	KZ-3000BC-E14	Ring snap	30	KZ-3000BC-E30	Clutch bolt
15	KZ-3000BC-E15	Piston pin	31	KZ-3000BC-E31	Clutch drum Assy
16	KZ-3000BC-E16	Piston	32	KZ-3000BC-E32	Circlip for Shaft type

ENGINE DIAGRAM & SPARE PART LIST OF KZ-3000BC-PRO-2S

SL NO	PART NO	DESCRIPTION	SL NO	PART NO	DESCRIPTION
33	KZ-3000BC-E33	Fan cover	51	KZ-3000BC-E51	Muffler
34	KZ-3000BC-E34	Screw	52	KZ-3000BC-E52	Cover
35	KZ-3000BC-E35	Rubber	53	KZ-3000BC-E53	Screw
36	KZ-3000BC-E36	Holder A	54	KZ-3000BC-E54	Screw
37	KZ-3000BC-E37	Holder B	55	KZ-3000BC-E55	Clapboard
38	KZ-3000BC-E38	Screw	56	KZ-3000BC-E56	Tap Cover
39	KZ-3000BC-E39	Screw	57	KZ-3000BC-E57	Spacer Ignition coil
40	KZ-3000BC-E40	Gasket insulator	58	KZ-3000BC-E58	Screw
41	KZ-3000BC-E41	insulator	59	KZ-3000BC-E59	Fuel Pipe
42	KZ-3000BC-E42	Screw	60	KZ-3000BC-E60	Plug
43	KZ-3000BC-E43	Gasket Carburetor	61	KZ-3000BC-E61	Fuel Pipe
44	KZ-3000BC-E44	carburetor	62	KZ-3000BC-E62	Tank Cap Assy
45	KZ-3000BC-E45	Cleaner base assy	63	KZ-3000BC-E63	Fuel Tank
46	KZ-3000BC-E46	Screw	64	KZ-3000BC-E64	Stand
47	KZ-3000BC-E47	Air filter assy	65	KZ-3000BC-E65	Screw
48	KZ-3000BC-E48	Cover cleaner	66	KZ-3000BC-E66	Fliter
49	KZ-3000BC-E49	Knob cover	67	KZ-3000BC-E67	Snap Rings
50	KZ-3000BC-E50	Gasket Muffler			

TRANSMISSION DIAGRAM & SPARE PART LIST OF KZ-3000BC-PRO-2S

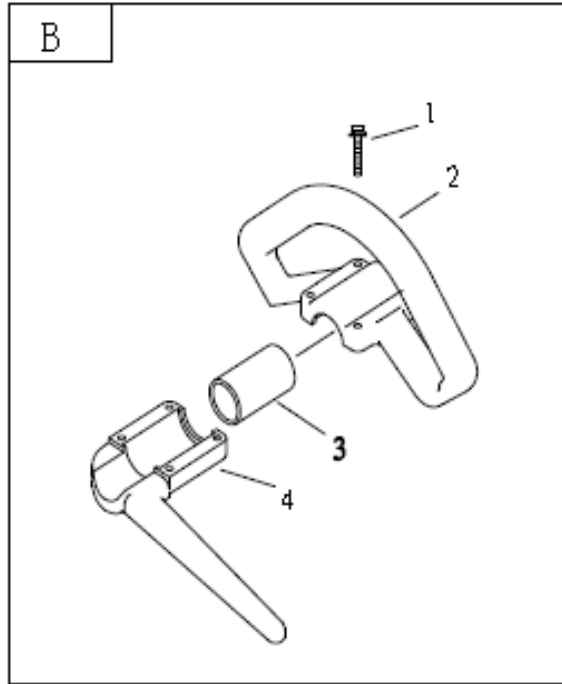
GEAR CASE ASSY - A



SL NO	PART NO	DESCRIPTION
1	KZ-300BC-TA01	Stop Ring
2	KZ-300BC-TA02	Stop Ring
3	KZ-300BC-TA03	Bearing
4	KZ-300BC-TA04	Bearing
5	KZ-300BC-TA05	Pinion
6	KZ-300BC-TA06	Screw
7	KZ-300BC-TA07	Screw
8	KZ-300BC-TA08	Bolt
9	KZ-300BC-TA09	Gear Case
10	KZ-300BC-TA10	Safety Guard
11	KZ-300BC-TA11	Gear
12	KZ-300BC-TA12	Gear Shaft
13	KZ-300BC-TA13	Bearing
14	KZ-300BC-TA14	Stop Ring
15	KZ-300BC-TA15	Holder A
16	KZ-300BC-TA16	Holder B
17	KZ-300BC-TA17	Washer
18	KZ-300BC-TA18	Left Nut
19	KZ-300BC-TA19	Pin

TRANSMISSION DIAGRAM & SPARE PART LIST OF KZ-3000BC-PRO-2S

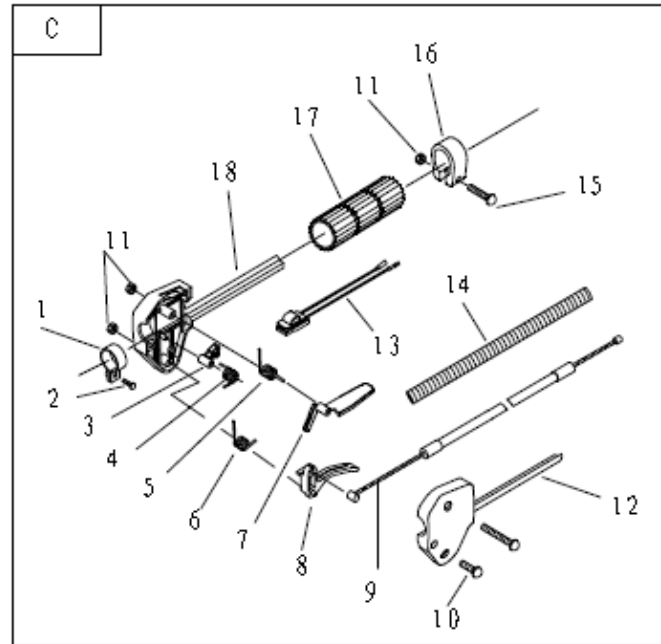
HANDLE -B



SL NO	PART NO	DESCRIPTION
1	KZ-300BC-TB01	SCREW
2	KZ-300BC-TB02	HANDLE
3	KZ-300BC-TB03	RUBBER COVER
4	KZ-300BC-TB04	HANDLE COVER

TRANSMISSION DIAGRAM & SPARE PART LIST OF KZ-3000BC-PRO-2S

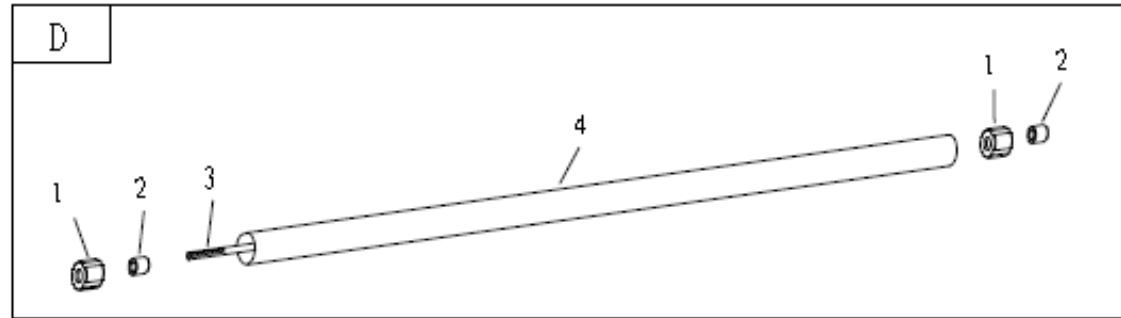
LEVER ASSY - C



SL NO	PART NO	DESCRIPTION	SL NO	PART NO	DESCRIPTION
1	KZ-300BC-TC01	Clamp	10	KZ-300BC-TC10	Screw
2	KZ-300BC-TC02	Screw	11	KZ-300BC-TC11	Nut
3	KZ-300BC-TC03	Tine	12	KZ-300BC-TC12	Box, Left
4	KZ-300BC-TC04	Spring	13	KZ-300BC-TC13	Stop Switch
5	KZ-300BC-TC05	Spring	14	KZ-300BC-TC14	Tube
6	KZ-300BC-TC06	Spring	15	KZ-300BC-TC15	Screw
7	KZ-300BC-TC07	Safety Lever	16	KZ-300BC-TC16	Clamp
8	KZ-300BC-TC08	Throttle Lever	17	KZ-300BC-TC17	Rubber Cover
9	KZ-300BC-TC09	Cable Comp	18	KZ-300BC-TC18	Box, Right

TRANSMISSION DIAGRAM & SPARE PART LIST OF KZ-300BC-PRO-2S

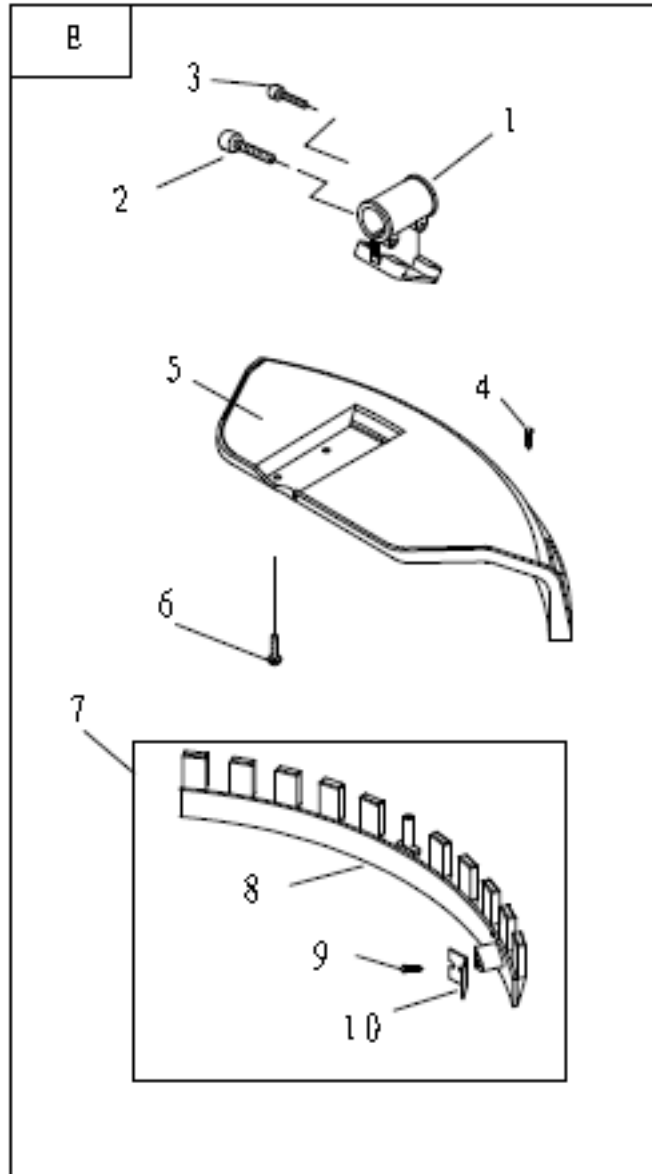
SHAFT - D



SL NO	PART NO	DESCRIPTION
1	KZ-300BC-TD01	Rubber Cover
2	KZ-300BC-TD02	Oil-bearing
3	KZ-300BC-TD03	Drive Shaft
4	KZ-300BC-TD04	Pipe

TRANSMISSION DIAGRAM & SPARE PART LIST OF KZ-3000BC-PRO-2S

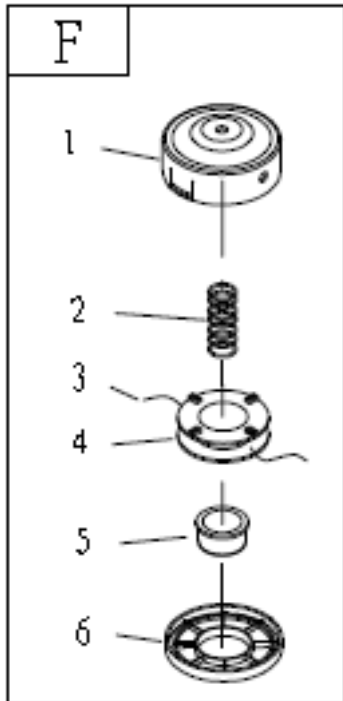
Guard Ass'y - E



SL NO	PART NO	DESCRIPTION
1	KZ-300BC-TE01	Bracket
2	KZ-300BC-TE02	Screw
3	KZ-300BC-TE03	Screw
4	KZ-300BC-TE04	Screw
5	KZ-300BC-TE05	Safety Guard
6	KZ-300BC-TE06	Screw
7	KZ-300BC-TE07	Guard Ass'y
8	KZ-300BC-TE08	Guard
9	KZ-300BC-TE09	Screw
10	KZ-300BC-TE10	Blade

TRANSMISSION DIAGRAM & SPARE PART LIST OF KZ-3000BC-PRO-2S

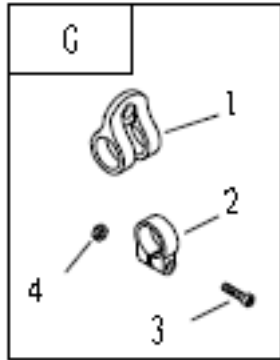
NYLON CUTTER HEAD - F



SL NO	PART NO	DESCRIPTION
1	KZ-300BC-TF01	Case
2	KZ-300BC-TF02	Spring
3	KZ-300BC-TF03	Cord
4	KZ-300BC-TF04	Cord Holder
5	KZ-300BC-TF05	Cover
6	KZ-300BC-TF06	Cover

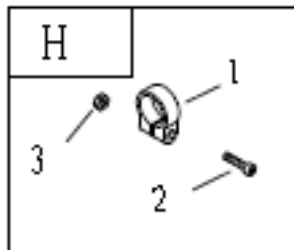
TRANSMISSION DIAGRAM & SPARE PART LIST OF KZ-3000BC-PRO-2S

Holder Ass'y - G



SL NO	PART NO	DESCRIPTION
1	KZ-300BC-TG01	Harness Clamp
2	KZ-300BC-TG02	Clamp
3	KZ-300BC-TG03	Screw
4	KZ-300BC-TG04	Nut

Clamp - H



SL NO	PART NO	DESCRIPTION
1	KZ-300BC-TH01	Clamp
2	KZ-300BC-TH02	Screw
3	KZ-300BC-TH03	Nut