

Product Information

Language	INGLESE
Nr.	220
Date	11/2013
Subject	TRANSPORTER CR 270 H - CR 270 H



our power, your passion

TRANSPORTERS for home use CR 270 K - CR 270 H



Compact and manageable, these machines are a great help out in fields, orchards and woodland for carrying harvested fruit or firewood.

Ideal for transporting materials where space is restricted, or on gradients.

TECHNICAL SPECIFICATIONS



Tight turning radius (700 mm) for ease of access, even where room for manoeuvre is limited, without damaging vegetation close by.

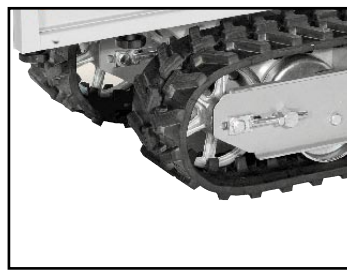


Telescoping flat body optimizes transport operations, even with bulky loads

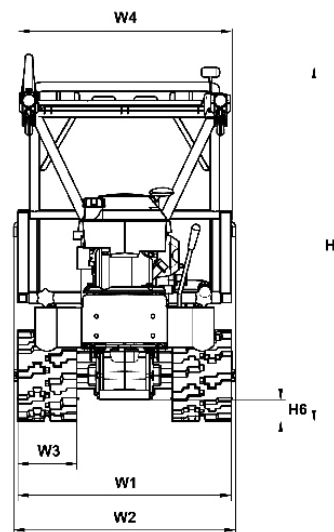
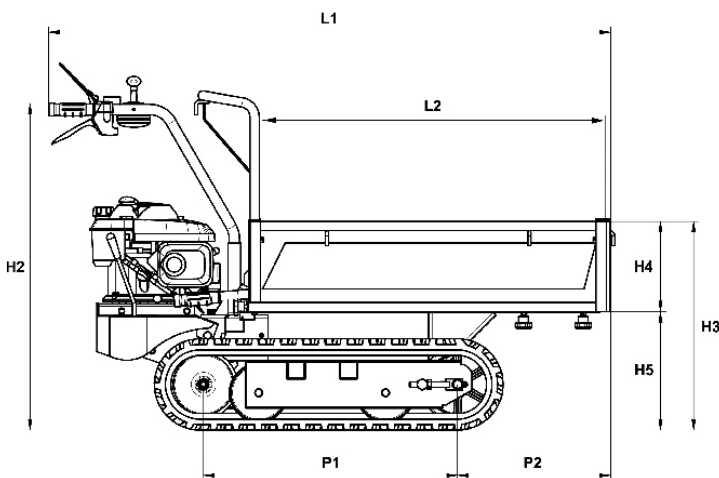


Available with 2 forward and 2 reverse speeds.

Dump angle 45°. Dumper body operated manually using a handy lever



Wide crawler tracks ensure solid grip on any type of terrain.



L1	1.530-1.665
L2	925-1.060
H1	965
H2	885
H3	570
H4	240
H5	330
H6	65
W1	590
W2	603-983
W3	170
W4	520-900
P1	690
P2	415-550



HIGH SIDES KIT
CODICE 68710039

	CR 270 H	CR 270 K
Displacement	160 cm ³	159 cm ³
Engine make/model	HONDA GCV 140	EMAK K 650
Load capacity	270 Kg	
Gearbox	2 + 2	
Speed	1 ^a 1.6 - 2 ^a 3.6	1 ^a R 1.4 - 2 ^a R 3.4
Lift/dump	manual	
Minimum turning radius	700 mm	
Dump angle	45°	
Flat body	telescoping	
Body length	93 - 106 cm	
Body width	52 - 90 cm	
Overall dimensions	153x60x90 cm	
Weight	140 Kg	