

TR 91 E Electric trimmer



Documents

Motor (SN 309xxxxxxx)

Motor (From SN 314xxxxxxx)

Transmission

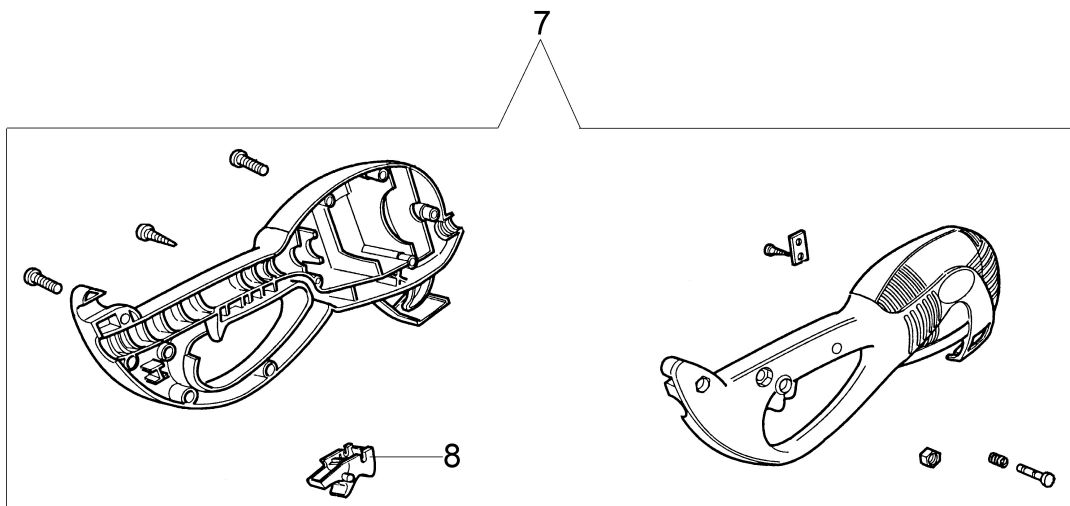
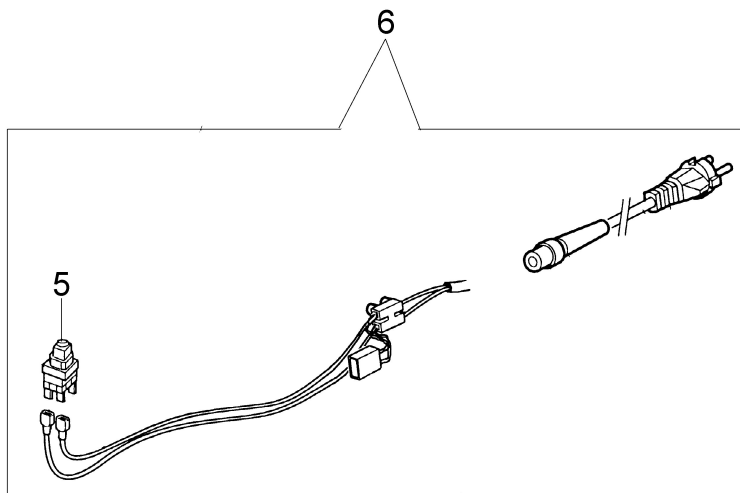
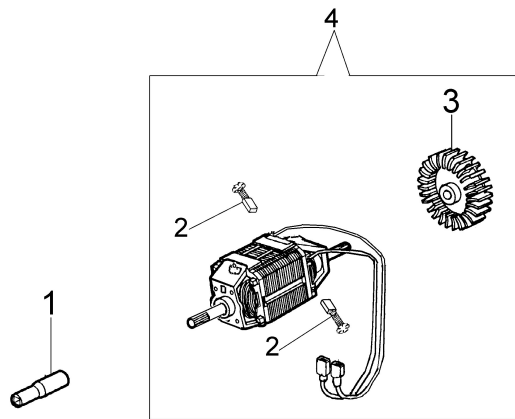


Illustration Motor (SN 309xxxxxxx)

Ref.Nu	Qty	Part number	Description	Validity from	Validity till	Notes	Bulletin
1	1	60030008R	Joint				
2	2	60030016R	Brush				
3	1	60020008	Fan				
4	1	60052003AR	Complete handle (with motor)				
5	1	2317025	Switch				
6	1	60020121A	Cables set				
7	1	60052003AR	Complete handle (with motor)				
8	1	60020014	Throttle lever				

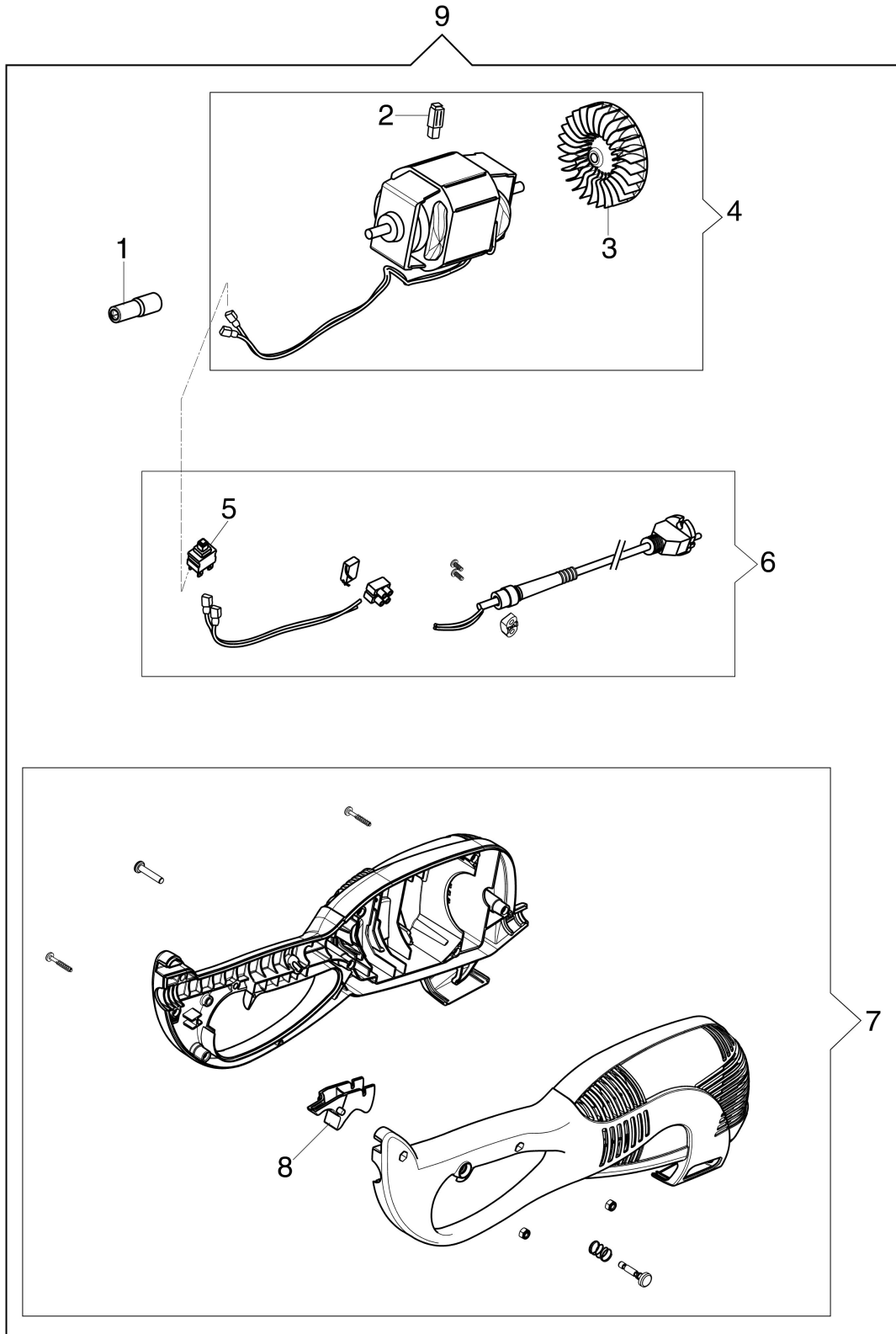


Illustration Motor (From SN 314xxxxxxx)

Ref.Nu	Qty	Part number	Description	Validity from	Validity till	Notes	Bulletin
1	1	60030029R	Joint				
2	2	60020125R	Brush				
3	1	60020049R	Fan				
4	1	60030036AR	Electric motor				
5	1	2317025	Switch				
6	1	60020121A	Cables set				
7	1	60030076A	Motor housing				
8	1	60020050R	Throttle lever				
9	1	60052003AR	Complete handle (with motor)				

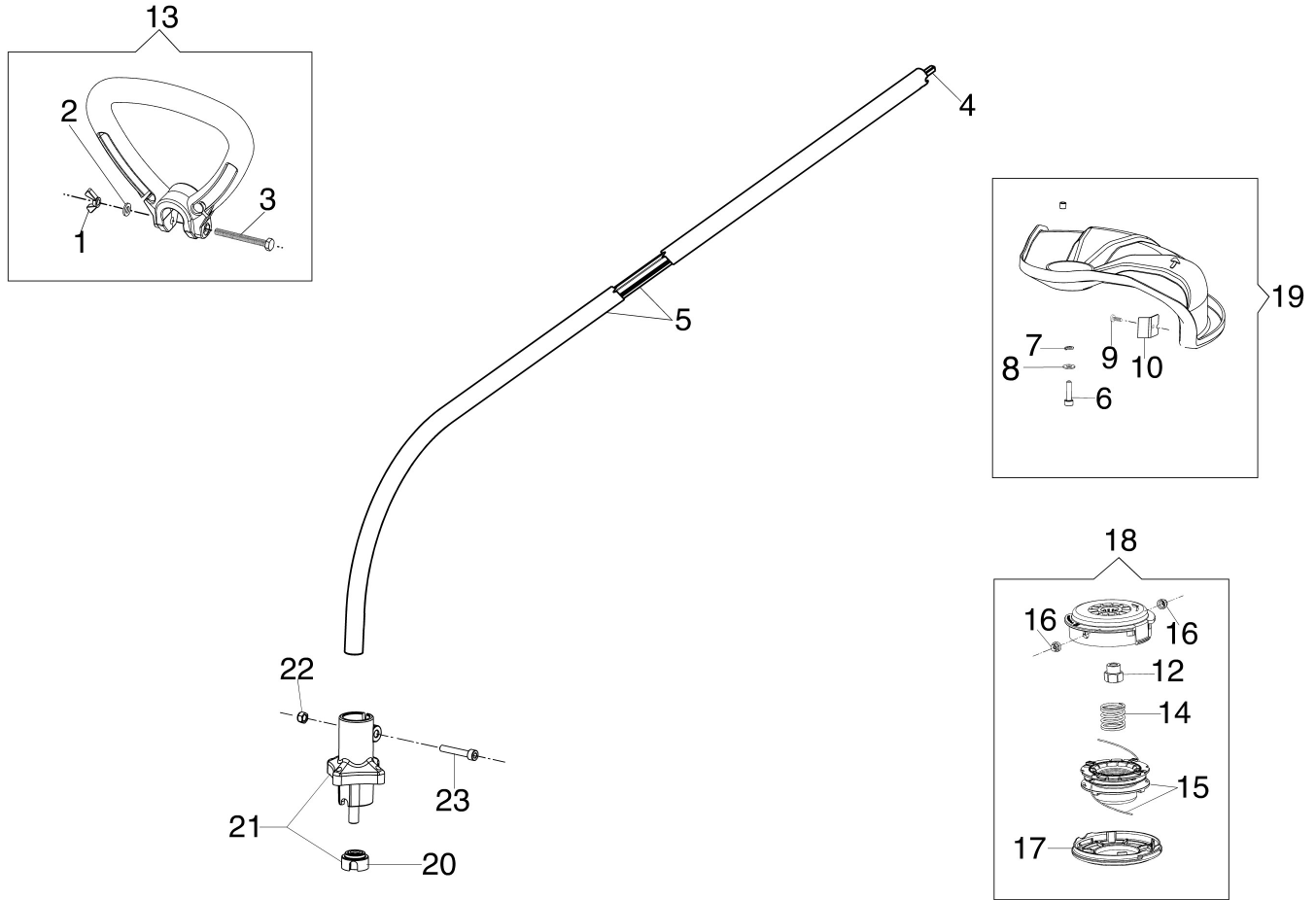


Illustration Transmission

Ref.Nu	Qty	Part number	Description	Validity from	Validity till	Notes	Bulletin
1	1	3915006	Nut				
2	1	3916006R	Washer				
3	1	3906053	Screw				
4	1	4198015A	Drive shaft				
5	1	4198041A	Tube Ø22				
6	4	3801013R	Screw				
7	4	3819006R	Washer				
8	4	3918010R	Washer				
9	1	3960015	Screw				
10	1	4174275R	Blade				
12	1	4199011AR	Insert				
13	1	4162042A	Handle				
14	1	63080008	Spring				
15	1	63080012R	Nylon spool				
16	2	4199005AR	Bushing				
17	1	63080006R	Cover				
18	1	63080011A	Nylon head Ø2				
19	1	4198115CR	Guard				
20	1	4198167R	Flange				
21	1	4198168R	Hub				
22	1	3914003R	Nut				
23	1	3801016R	Screw				